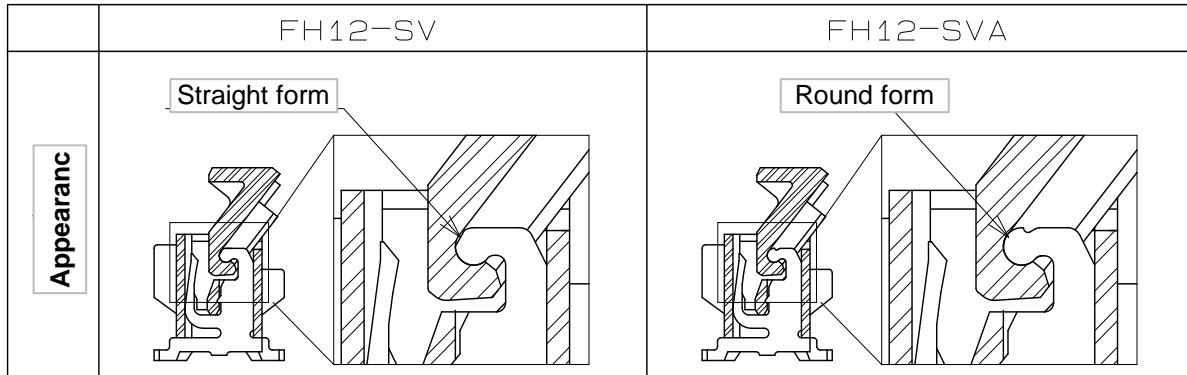


FH12-SV/FH12-SVA Series Product Explanation

The press matching location of the terminal rotating shaft changed in FH12-SVA (See the illustrations below) (No difference in appearance or dimension).

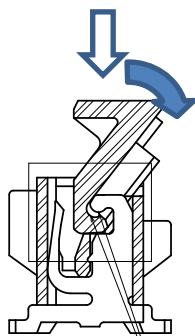
The press matching location was changed in FH12-SVA, and the sliding part with the actuator was changed to a round form, which realized smoother rotation.

There was no difference in electrical or mechanical performance.



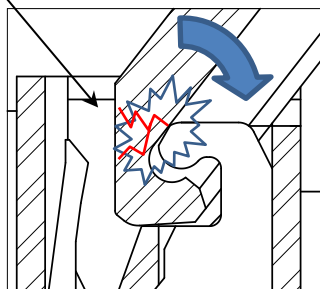
Operation resulting in actuator damage

Locking operation by pushing down the actuator



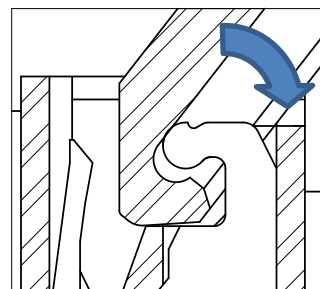
The rotational centers of the terminal and the actuator become misaligned.

A crack occurs in the actuator



The terminal and the actuator hit each other, preventing rotation; if operation is continued, the actuator will be damaged.

Operational image of FH12-SV series



Rotation of the actuator will not be structurally prevented if the rotational centers of the terminal and the actuator become misaligned.

Operational image of FH12-SVA series