

Product Discontinuation Notices

External Connections

Issue Date
July 1, 2021

No. 2021056CE(ON)

Discontinuation Notice of D-Sub connectors MODEL XM2C-L, MODEL XM2E-L, MODEL XM2F-L, MODEL XM3B-L, MODEL XM3C-L, MODEL XM4K, MODEL XM4L, MODEL XM4Z, USB connectors MODEL XM7D, MODEL XM7Z, LAN Modular Jack connectors MODEL XM9B.

Product Discontinuation

D-Sub connectors

Model XM2C-L
Model XM2E-L
Model XM2F-L

Model XM3B-L

Model XM3C-L
Model XM4K
Model XM4L
Model XM4Z

USB connectors

Model XM7D
Model XM7Z

LAN Modular Jack connectors connectors

Model XM9B



Recommended Replacement

D-Sub connectors

Model XM3C

No recommended replacement

Model XM3F

or No recommended replacement

Model XM3B

or No recommended replacement

No recommended replacement

No recommended replacement

No recommended replacement

No recommended replacement

No recommended replacement

No recommended replacement

No recommended replacement

[Final order entry date]

The end of March, 2022

[Date of The Last Shipping]

The end of June, 2022

[Caution on recommended replacement]

Not specifically.

[Difference from discontinued product]

Recommended replacement Model	Body Color	Dimensions	Wire connection	Mounting Dimensions	Characteristics
MODEL XM3C	**	*	*	*	**
MODEL XM3F	*	*	*	*	**
MODEL XM3B	**	*	*	*	**

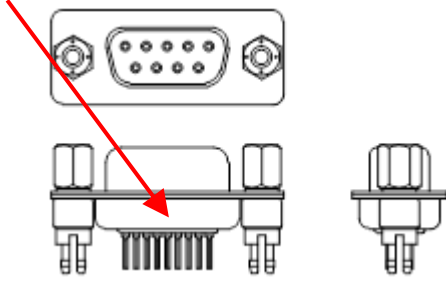
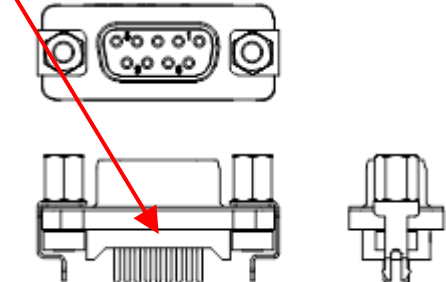
- ** : Compatible
- * : The change is a little/Almost compatible
- : Not compatible
- : No corresponding specification

[Product Discontinuation and recommended replacement]

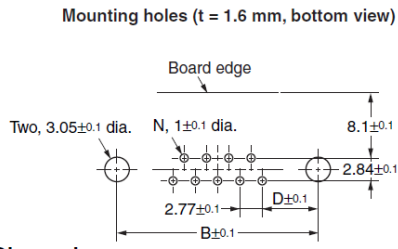
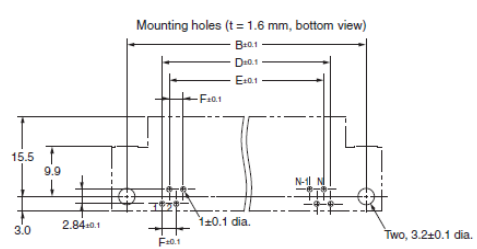
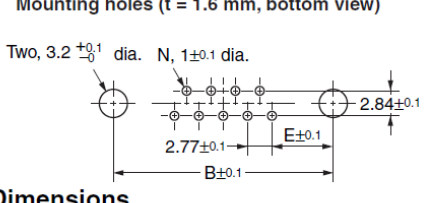
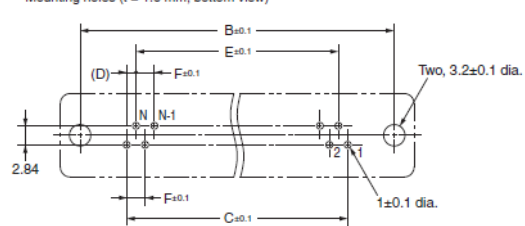
Product discontinuation	Recommended replacement
XM2C-0942-112L	XM3C-0922-112
XM2C-0942-132L	XM3C-0922-132
XM2C-0942-212L	XM3C-0922-212
XM2C-0942-232L	XM3C-0922-232
XM2C-0942-502L	XM3C-0922-502
XM2C-1542-112L	XM3C-1522-112
XM2C-1542-132L	XM3C-1522-132
XM2C-1542-502L	XM3C-1522-502
XM2C-2542-112L	XM3C-2522-112
XM2C-2542-132L	XM3C-2522-132
XM2C-2542-502L	XM3C-2522-502
XM2E-0940-112L	No recommended replacement
XM2E-0940-132L	No recommended replacement
XM2E-0940-502L	No recommended replacement
XM2E-0940-L	No recommended replacement
XM2E-1540-112L	No recommended replacement
XM2E-1540-132L	No recommended replacement
XM2E-1540-502L	No recommended replacement
XM2E-1540-L	No recommended replacement
XM2E-2540-112L	No recommended replacement
XM2E-2540-132L	No recommended replacement
XM2E-2540-502L	No recommended replacement
XM2E-2540-L	No recommended replacement
XM2F-0940-112L	XM3F-0920-112
XM2F-0940-132L	XM3F-0920-132
XM2F-0940-212L	No recommended replacement
XM2F-0940-502L	No recommended replacement
XM2F-0940-L	XM3F-0920
XM2F-1540-112L	XM3F-1520-112
XM2F-1540-132L	XM3F-1520-132
XM2F-1540-212L	No recommended replacement
XM2F-1540-502L	No recommended replacement
XM2F-1540-L	XM3F-1520
XM2F-2540-112L	XM3F-2520-112
XM2F-2540-132L	XM3F-2520-132
XM2F-2540-212L	No recommended replacement
XM2F-2540-232L	No recommended replacement
XM2F-2540-502L	No recommended replacement
XM2F-2540-L	XM3F-2520
XM3B-0942-112L	XM3B-0922-112
XM3B-0942-112LS	No recommended replacement
XM3B-0942-132L	XM3B-0922-132
XM3B-0942-132LS	No recommended replacement

Product discontinuation	Recommended replacement
XM3B-0942-212L	XM3B-0922-212
XM3B-0942-232L	XM3B-0922-232 *Scheduled to be available in September, 2021
XM3B-0942-502L	XM3B-0922-502
XM3B-1542-112L	XM3B-1522-112
XM3B-1542-132L	XM3B-1522-132
XM3B-1542-232L	No recommended replacement
XM3B-1542-502L	XM3B-1522-502
XM3B-2542-112L	XM3B-2522-112
XM3B-2542-132L	XM3B-2522-132
XM3B-2542-212L	XM3B-2522-212
XM3B-2542-502L	XM3B-2522-502
XM3C-0942-112LS	No recommended replacement
XM3C-0942-132LS	No recommended replacement
XM4K-1542-112	No recommended replacement
XM4K-1542-132	No recommended replacement
XM4K-1542-502	No recommended replacement
XM4L-1541-112	No recommended replacement
XM4L-1541-132	No recommended replacement
XM4L-1541-502	No recommended replacement
XM4L-1542-112	No recommended replacement
XM4L-1542-132	No recommended replacement
XM4L-1542-212	No recommended replacement
XM4L-1542-232	No recommended replacement
XM4L-1542-502	No recommended replacement
XM4Z-0011	No recommended replacement
XM4Z-0012	No recommended replacement
XM4Z-0013	No recommended replacement
XM4Z-0021	No recommended replacement
XM4Z-0022	No recommended replacement
XM4Z-0023	No recommended replacement
XM4Z-1011	No recommended replacement
XM4Z-1012	No recommended replacement
XM4Z-1013	No recommended replacement
XM4Z-1021	No recommended replacement
XM4Z-1022	No recommended replacement
XM4Z-1023	No recommended replacement
XM7D-0512	No recommended replacement
XM7D-0514	No recommended replacement
XM7D-0514-R	No recommended replacement
XM7Z-0001	No recommended replacement
XM7Z-0002	No recommended replacement
XM9B-18844-10	No recommended replacement
XM9B-18844-11	No recommended replacement

[Body color]

Product discontinuation Model XM2F-L	Recommendable replacement Model XM3F
<p>Terminal hold part Color: Silver (Shell)</p>  <p>The figure is representative.</p>	<p>Terminal hold part Color: Black (Housing)</p>  <p>The figure is representative.</p>

[Connection dimensions]

Product discontinuation Model XM2C-L, Model XM2F-L, Model XM3B-L	Recommendable replacement Model XM3C, Model XM3F, Model XM3B																																																																					
<p>Recommended PWB hole pattern Model XM2C-L</p> <p>Mounting holes (t = 1.6 mm, bottom view)</p>  <p>Dimensions</p> <table border="1"> <thead> <tr> <th>No. of contacts (N)</th> <th>A</th> <th>B</th> <th>C</th> <th>D</th> </tr> </thead> <tbody> <tr> <td>9</td> <td>30.8</td> <td>24.99</td> <td>16.92</td> <td>6.96</td> </tr> <tr> <td>15</td> <td>39.1</td> <td>33.32</td> <td>25.25</td> <td>6.96</td> </tr> <tr> <td>25</td> <td>53.0</td> <td>47.04</td> <td>38.96</td> <td>6.91</td> </tr> </tbody> </table>	No. of contacts (N)	A	B	C	D	9	30.8	24.99	16.92	6.96	15	39.1	33.32	25.25	6.96	25	53.0	47.04	38.96	6.91	<p>Recommended PWB hole pattern Model XM3C</p> <p>Mounting holes (t = 1.6 mm, bottom view)</p>  <p>Dimensions</p> <table border="1"> <thead> <tr> <th>No. of contacts</th> <th>A</th> <th>B</th> <th>C</th> <th>D</th> <th>E</th> <th>F</th> <th>G</th> </tr> </thead> <tbody> <tr> <td>9</td> <td>30.8</td> <td>24.99</td> <td>16.91</td> <td>10.96</td> <td>8.22</td> <td>2.74</td> <td>1.37</td> </tr> <tr> <td>15</td> <td>39.1</td> <td>33.32</td> <td>25.25</td> <td>19.18</td> <td>16.44</td> <td>2.74</td> <td>1.37</td> </tr> <tr> <td>25</td> <td>53.0</td> <td>47.04</td> <td>38.96</td> <td>33.12</td> <td>30.36</td> <td>2.76</td> <td>1.38</td> </tr> <tr> <td>37</td> <td>69.3</td> <td>63.50</td> <td>55.42</td> <td>49.68</td> <td>46.92</td> <td>2.76</td> <td>1.38</td> </tr> </tbody> </table>	No. of contacts	A	B	C	D	E	F	G	9	30.8	24.99	16.91	10.96	8.22	2.74	1.37	15	39.1	33.32	25.25	19.18	16.44	2.74	1.37	25	53.0	47.04	38.96	33.12	30.36	2.76	1.38	37	69.3	63.50	55.42	49.68	46.92	2.76	1.38									
No. of contacts (N)	A	B	C	D																																																																		
9	30.8	24.99	16.92	6.96																																																																		
15	39.1	33.32	25.25	6.96																																																																		
25	53.0	47.04	38.96	6.91																																																																		
No. of contacts	A	B	C	D	E	F	G																																																															
9	30.8	24.99	16.91	10.96	8.22	2.74	1.37																																																															
15	39.1	33.32	25.25	19.18	16.44	2.74	1.37																																																															
25	53.0	47.04	38.96	33.12	30.36	2.76	1.38																																																															
37	69.3	63.50	55.42	49.68	46.92	2.76	1.38																																																															
<p>Model XM2F-L</p> <p>Mounting holes (t = 1.6 mm, bottom view)</p>  <p>Dimensions</p> <table border="1"> <thead> <tr> <th>No. of contacts (N)</th> <th>A</th> <th>B</th> <th>C</th> <th>D</th> <th>E</th> </tr> </thead> <tbody> <tr> <td>9</td> <td>30.8</td> <td>24.99</td> <td>16.33</td> <td>19.23</td> <td>6.96</td> </tr> <tr> <td>15</td> <td>39.1</td> <td>33.32</td> <td>24.66</td> <td>27.56</td> <td>6.96</td> </tr> <tr> <td>25</td> <td>53.0</td> <td>47.04</td> <td>38.38</td> <td>41.28</td> <td>6.91</td> </tr> </tbody> </table>	No. of contacts (N)	A	B	C	D	E	9	30.8	24.99	16.33	19.23	6.96	15	39.1	33.32	24.66	27.56	6.96	25	53.0	47.04	38.38	41.28	6.91	<p>Model XM3F</p> <p>Mounting holes (t = 1.6 mm, bottom view)</p>  <p>Dimensions</p> <table border="1"> <thead> <tr> <th>No. of contacts</th> <th>A</th> <th>B</th> <th>C</th> <th>D</th> <th>E</th> <th>F</th> <th>G</th> <th>H</th> </tr> </thead> <tbody> <tr> <td>9</td> <td>30.7</td> <td>24.99</td> <td>10.98</td> <td>1.37</td> <td>8.22</td> <td>2.74</td> <td>19.00</td> <td>16.33</td> </tr> <tr> <td>15</td> <td>39.0</td> <td>33.32</td> <td>19.20</td> <td>1.37</td> <td>16.44</td> <td>2.74</td> <td>27.12</td> <td>24.66</td> </tr> <tr> <td>25</td> <td>52.9</td> <td>47.04</td> <td>33.12</td> <td>1.38</td> <td>30.36</td> <td>2.76</td> <td>41.04</td> <td>38.38</td> </tr> <tr> <td>37</td> <td>69.2</td> <td>63.50</td> <td>49.68</td> <td>1.38</td> <td>46.92</td> <td>2.76</td> <td>57.60</td> <td>54.84</td> </tr> </tbody> </table>	No. of contacts	A	B	C	D	E	F	G	H	9	30.7	24.99	10.98	1.37	8.22	2.74	19.00	16.33	15	39.0	33.32	19.20	1.37	16.44	2.74	27.12	24.66	25	52.9	47.04	33.12	1.38	30.36	2.76	41.04	38.38	37	69.2	63.50	49.68	1.38	46.92	2.76	57.60	54.84
No. of contacts (N)	A	B	C	D	E																																																																	
9	30.8	24.99	16.33	19.23	6.96																																																																	
15	39.1	33.32	24.66	27.56	6.96																																																																	
25	53.0	47.04	38.38	41.28	6.91																																																																	
No. of contacts	A	B	C	D	E	F	G	H																																																														
9	30.7	24.99	10.98	1.37	8.22	2.74	19.00	16.33																																																														
15	39.0	33.32	19.20	1.37	16.44	2.74	27.12	24.66																																																														
25	52.9	47.04	33.12	1.38	30.36	2.76	41.04	38.38																																																														
37	69.2	63.50	49.68	1.38	46.92	2.76	57.60	54.84																																																														

[Connection dimensions]

Product discontinuation Model XM2C-L, Model XM2F-L, Model XM3B-L	Recommendable replacement Model XM3C, Model XM3F, Model XM3B																																																													
<p>Recommended PWB hole pattern Model XM3B-L</p> <p>Mounting holes (t = 1.6 mm, bottom view)</p> <p>Dimensions</p> <table border="1"> <thead> <tr> <th>No. of contacts (N)</th> <th>A</th> <th>B</th> <th>C</th> <th>D</th> </tr> </thead> <tbody> <tr> <td>9</td> <td>30.8</td> <td>24.99</td> <td>16.33</td> <td>6.96</td> </tr> <tr> <td>15</td> <td>39.1</td> <td>33.32</td> <td>24.66</td> <td>6.96</td> </tr> <tr> <td>25</td> <td>53.0</td> <td>47.04</td> <td>38.38</td> <td>6.91</td> </tr> </tbody> </table>	No. of contacts (N)	A	B	C	D	9	30.8	24.99	16.33	6.96	15	39.1	33.32	24.66	6.96	25	53.0	47.04	38.38	6.91	<p>Recommended PWB hole pattern Model XM3B</p> <p>Mounting holes (t = 1.6 mm, bottom view)</p> <p>Dimensions</p> <table border="1"> <thead> <tr> <th rowspan="2">No. of contacts</th> <th colspan="6">Dimensions (mm)</th> </tr> <tr> <th>A</th> <th>B</th> <th>C</th> <th>D</th> <th>E</th> <th>F</th> </tr> </thead> <tbody> <tr> <td>9</td> <td>30.8</td> <td>24.99</td> <td>16.30</td> <td>10.96</td> <td>8.22</td> <td>2.74</td> </tr> <tr> <td>15</td> <td>39.1</td> <td>33.32</td> <td>24.65</td> <td>19.18</td> <td>16.44</td> <td>2.74</td> </tr> <tr> <td>25</td> <td>53.0</td> <td>47.04</td> <td>38.35</td> <td>33.12</td> <td>30.36</td> <td>2.76</td> </tr> <tr> <td>37</td> <td>69.3</td> <td>63.50</td> <td>54.80</td> <td>49.68</td> <td>46.92</td> <td>2.76</td> </tr> </tbody> </table>	No. of contacts	Dimensions (mm)						A	B	C	D	E	F	9	30.8	24.99	16.30	10.96	8.22	2.74	15	39.1	33.32	24.65	19.18	16.44	2.74	25	53.0	47.04	38.35	33.12	30.36	2.76	37	69.3	63.50	54.80	49.68	46.92	2.76
No. of contacts (N)	A	B	C	D																																																										
9	30.8	24.99	16.33	6.96																																																										
15	39.1	33.32	24.66	6.96																																																										
25	53.0	47.04	38.38	6.91																																																										
No. of contacts	Dimensions (mm)																																																													
	A	B	C	D	E	F																																																								
9	30.8	24.99	16.30	10.96	8.22	2.74																																																								
15	39.1	33.32	24.65	19.18	16.44	2.74																																																								
25	53.0	47.04	38.35	33.12	30.36	2.76																																																								
37	69.3	63.50	54.80	49.68	46.92	2.76																																																								

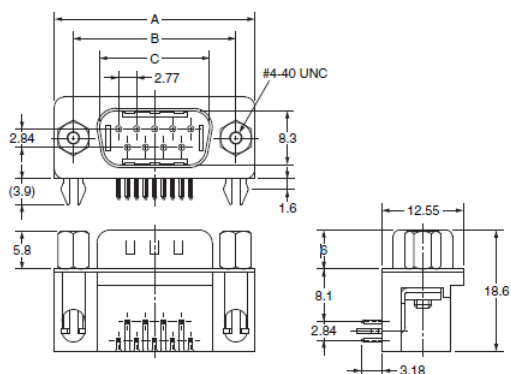
[Mounting dimensions]

Product discontinuation Model XM2C-L, Model XM2F-L, Model XM3B-L	Recommendable replacement Model XM3C, Model XM3F, Model XM3B
<p>Anchor mounting screw size (XM2C-502L, XM3B-502L) #4-40 UNC (Inch screw)</p> <p>The figure is representative.</p> <p>Applicable Panel thickness 1.2mm or less (Panel processing dimensions are the same.)</p>	<p>Anchor mounting screw size (XM3C-502, XM3B-502) M3×0.5 (Millimeter screw)</p> <p>The figure is representative.</p> <p>Applicable Panel thickness 1.3mm or less (Panel processing dimensions are the same.)</p>

[Dimensions]

Product discontinuation
Model XM2C-L, Model XM2F-L, Model XM3B-L

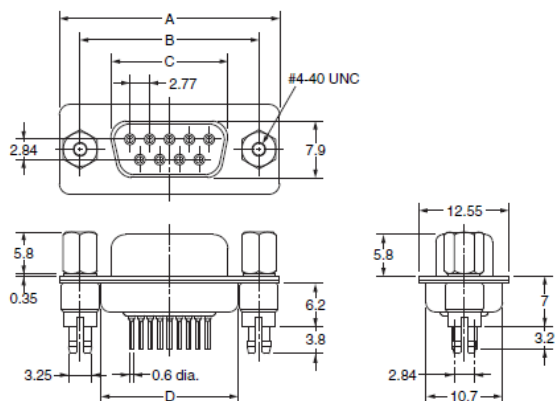
Model XM2C-L



Dimensions

No. of contacts (N)	A	B	C	D
9	30.8	24.99	16.92	6.96
15	39.1	33.32	25.25	6.96
25	53.0	47.04	38.96	6.91

Model XM2F-L

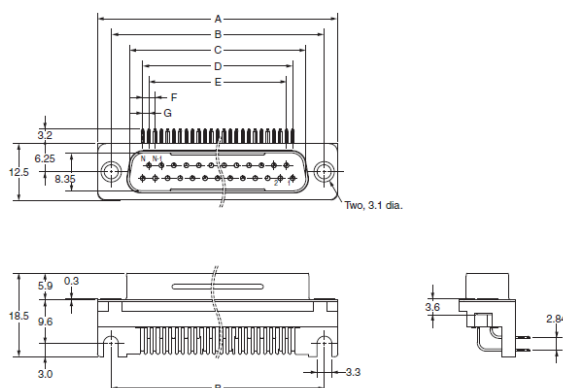


Dimensions

No. of contacts (N)	A	B	C	D	E
9	30.8	24.99	16.33	19.23	6.96
15	39.1	33.32	24.66	27.56	6.96
25	53.0	47.04	38.38	41.28	6.91

Recommendable replacement
Model XM3C, Model XM3F, Model XM3B

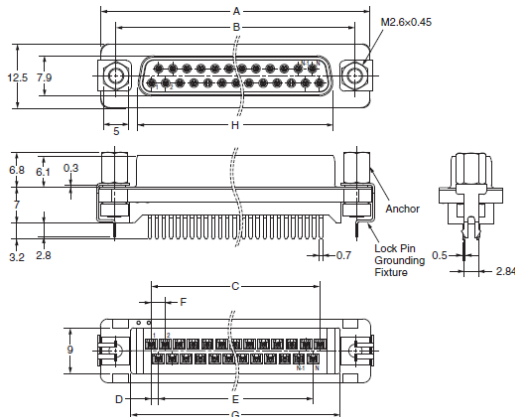
Model XM3C



Dimensions

No. of contacts	A	B	C	D	E	F	G
9	30.8	24.99	16.91	10.96	8.22	2.74	1.37
15	39.1	33.32	25.25	19.18	16.44	2.74	1.37
25	53.0	47.04	38.96	33.12	30.36	2.76	1.38
37	69.3	63.50	55.42	49.68	46.92	2.76	1.38

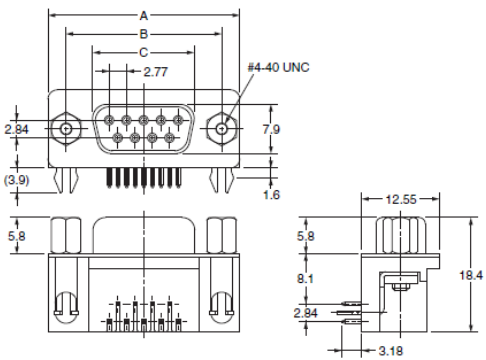
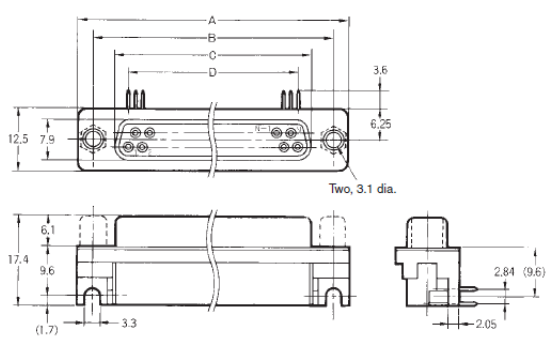
Model XM3F



Dimensions

No. of contacts	A	B	C	D	E	F	G	H
9	30.7	24.99	10.98	1.37	8.22	2.74	19.00	16.33
15	39.0	33.32	19.20	1.37	16.44	2.74	27.12	24.66
25	52.9	47.04	33.12	1.38	30.36	2.76	41.04	38.38
37	69.2	63.50	49.68	1.38	46.92	2.76	57.60	54.84

[Dimensions]

Product discontinuation Model XM2C-L, Model XM2F-L, Model XM3B-L	Recommendable replacement Model XM3C, Model XM3F, Model XM3B																																																													
<p>Model XM3B-L</p>  <p>Dimensions</p> <table border="1" data-bbox="287 705 662 873"> <thead> <tr> <th>No. of contacts (N)</th> <th>A</th> <th>B</th> <th>C</th> <th>D</th> </tr> </thead> <tbody> <tr> <td>9</td> <td>30.8</td> <td>24.99</td> <td>16.33</td> <td>6.96</td> </tr> <tr> <td>15</td> <td>39.1</td> <td>33.32</td> <td>24.66</td> <td>6.96</td> </tr> <tr> <td>25</td> <td>53.0</td> <td>47.04</td> <td>38.38</td> <td>6.91</td> </tr> </tbody> </table>	No. of contacts (N)	A	B	C	D	9	30.8	24.99	16.33	6.96	15	39.1	33.32	24.66	6.96	25	53.0	47.04	38.38	6.91	<p>Model XM3B</p>  <p>Dimensions</p> <table border="1" data-bbox="941 728 1412 873"> <thead> <tr> <th rowspan="2">No. of contacts</th> <th colspan="6">Dimensions (mm)</th> </tr> <tr> <th>A</th> <th>B</th> <th>C</th> <th>D</th> <th>E</th> <th>F</th> </tr> </thead> <tbody> <tr> <td>9</td> <td>30.8</td> <td>24.99</td> <td>16.30</td> <td>10.96</td> <td>8.22</td> <td>2.74</td> </tr> <tr> <td>15</td> <td>39.1</td> <td>33.32</td> <td>24.65</td> <td>19.18</td> <td>16.44</td> <td>2.74</td> </tr> <tr> <td>25</td> <td>53.0</td> <td>47.04</td> <td>38.35</td> <td>33.12</td> <td>30.36</td> <td>2.76</td> </tr> <tr> <td>37</td> <td>69.3</td> <td>63.50</td> <td>54.80</td> <td>49.68</td> <td>46.92</td> <td>2.76</td> </tr> </tbody> </table>	No. of contacts	Dimensions (mm)						A	B	C	D	E	F	9	30.8	24.99	16.30	10.96	8.22	2.74	15	39.1	33.32	24.65	19.18	16.44	2.74	25	53.0	47.04	38.35	33.12	30.36	2.76	37	69.3	63.50	54.80	49.68	46.92	2.76
No. of contacts (N)	A	B	C	D																																																										
9	30.8	24.99	16.33	6.96																																																										
15	39.1	33.32	24.66	6.96																																																										
25	53.0	47.04	38.38	6.91																																																										
No. of contacts	Dimensions (mm)																																																													
	A	B	C	D	E	F																																																								
9	30.8	24.99	16.30	10.96	8.22	2.74																																																								
15	39.1	33.32	24.65	19.18	16.44	2.74																																																								
25	53.0	47.04	38.35	33.12	30.36	2.76																																																								
37	69.3	63.50	54.80	49.68	46.92	2.76																																																								

[Characteristics]

Item	Product discontinuation Model XM2C-L, MODEL XM2F-L, MODEL XM3B-L	Recommendable replacement Model XM3C, MODEL XM3F, MODEL XM3B
Rated current	3A	5A
Contact resistance	20m Ω or less	15m Ω or less
Durability	100 times	200 times
Operating temperature	-25 to +105°C (Without moisture condensation and freezing)	-25 to +105°C (Without moisture condensation and freezing)

Specifications and prices in this product news are as of the issue date and are subject to change without notice. Only main changes in specifications are described in this document. Please be sure to read the relevant catalogs, datasheets, product specifications, instructions, and manuals for precautions and necessary information when using products.