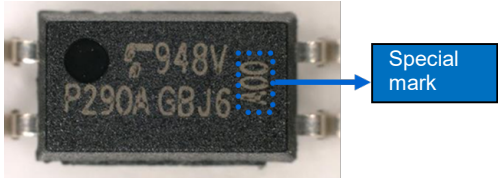
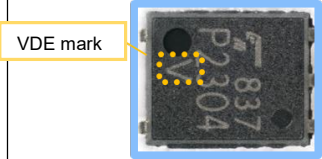
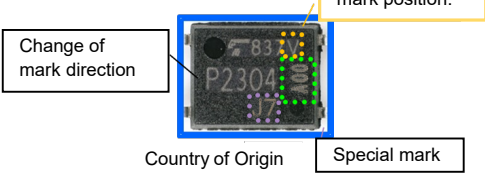
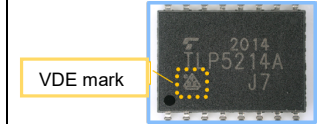
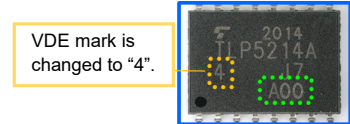
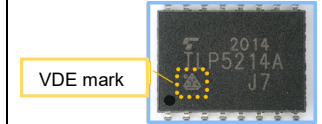
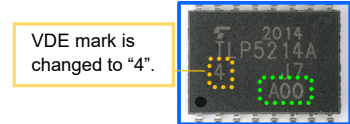


To: \_\_\_\_\_

**Change Notice : Photocoupler**

We appreciate your patronage of our semiconductor products.  
 We would like to inform that the change is planned for our photocoupler.  
 Please refer to the following contents. We would appreciate your understanding.

- 1. **Applicable product:** Refer to the next page. (excluding PP product)
- 2. **Description of change:** Refer to the attachment for the detail. (page 1 to 5)

Change	Before Change	After Change	Applicable Product
1) Product mark	• No special mark.	• Addition of special mark. 	All products
2) Mark direction			5pin SO6
3) VDE mark position. Addition of Country of Origin.			SO16L
4) VDE mark change			SO16L

**3. Purpose of change :**

- 1) To improve the lot traceability.  
 \* Traceable to the assembly lot from a product mark.

**4. Product characteristics:**

Since the change is limited to a product marking (addition of special mark), product characteristics and reliability are not changed.

**5. Change schedule**

The change will be implemented in order from the production of May 2021.

**6. Request**

If you have any inconvenience on this change, please inform us through our sales representatives by April 23, 2021.

Sincerely yours,



H. Matsuo / Manager  
 Quality Planning Group  
 Quality Assurance Department  
 Buzen Toshiba Electronics Corporation

(Drafted by T. Uchino)

## Applicable product list (including special specification product)

Product name	Package Name	Product name	Package Name	Product name	Package Name	Product name	Package Name
TLP290(E(O	SO4	TLP290(E(T	SO4	TLP290(SE(O	SO4	TLP290(SE(T	SO4
TLP291(E(O	SO4	TLP291(E(T	SO4	TLP291(SE(O	SO4	TLP291(SE(T	SO4
TLP292(E(T	SO4	TLP293(E(T	SO4	TLP290-4(E(O	SO16	TLP290-4(E(T	SO16
TLP291-4(E(O	SO16	TLP291-4(E(T	SO16	TLP292-4(E(T	SO16	TLP293-4(E(T	SO16
TLP170AM(E(O	4-SO6	TLP170GM(E(O	4-SO6	TLP172AM(E(O	4-SO6	TLP172GAM(E(O	4-SO6
TLP172GM(E(O	4-SO6	TLP175A(E(O	4-SO6	TLP176AM(E(O	4-SO6	TLP182(E(T	4-SO6
TLP183(E(T	4-SO6	TLP184(E(O	4-SO6	TLP184(E(T	4-SO6	TLP184(SE(T	4-SO6
TLP185(E(O	4-SO6	TLP185(E(T	4-SO6	TLP185(SE(O	4-SO6	TLP185(SE(T	4-SO6
TLP187(E(O	4-SO6	TLP187(E(T	4-SO6	TLP188(E(O	4-SO6	TLP188(E(T	4-SO6
TLP2301(E(O	4-SO6	TLP2301(E(T	4-SO6	TLP265J(E(O	4-SO6	TLP265J(E(T	4-SO6
TLP266J(E(O	4-SO6	TLP266J(E(T	4-SO6	TLP267J(E(O	4-SO6	TLP267J(E(T	4-SO6
TLP268J(E(O	4-SO6	TLP268J(E(T	4-SO6	TLP3122A(E(O	4-SO6	TLP3905(E(O	4-SO6
TLP3905(E(T	4-SO6	TLP3906(E(O	4-SO6	TLP104(E(O	5-SO6	TLP104(E(T	5-SO6
TLP109(E(O	5-SO6	TLP109(E(T	5-SO6	TLP116A(E(O	5-SO6	TLP116A(E(T	5-SO6
TLP118(E(O	5-SO6	TLP118(E(T	5-SO6	TLP151(E(O	5-SO6	TLP151A(E(O	5-SO6
TLP152(E(O	5-SO6	TLP152(E(T	5-SO6	TLP155E(E(O	5-SO6	TLP2303(E(O	5-SO6
TLP2303(E(T	5-SO6	TLP2304(E(O	5-SO6	TLP2309(E(O	5-SO6	TLP2309(E(T	5-SO6
TLP2310(E(T	5-SO6	TLP2312(E(O	5-SO6	TLP2345(E(T	5-SO6	TLP2348(E(T	5-SO6
TLP2355(E(O	5-SO6	TLP2355(E(T	5-SO6	TLP2358(E(O	5-SO6	TLP2358(E(T	5-SO6
TLP2361(E(O	5-SO6	TLP2361(E(T	5-SO6	TLP2362(E(O	5-SO6	TLP2362(E(T	5-SO6
TLP2363(E(O	5-SO6	TLP2366(E(O	5-SO6	TLP2366(E(T	5-SO6	TLP2367(E(O	5-SO6
TLP2368(E(O	5-SO6	TLP2368(E(T	5-SO6	TLP2370(E(O	5-SO6	TLP2372(E(O	5-SO6
TLP2391(E(O	5-SO6	TLP2391(E(T	5-SO6	TLP2395(E(O	5-SO6	TLP2395(E(T	5-SO6
TLP2398(E(O	5-SO6	TLP2398(E(T	5-SO6	TLP2703(E(O	SO6L	TLP2703(E(T	SO6L
TLP2704(E(O	SO6L	TLP2704(E(T	SO6L	TLP2709(E(O	SO6L	TLP2709(E(T	SO6L
TLP2710(E(O	SO6L	TLP2710(E(T	SO6L	TLP2719(E(O	SO6L	TLP2719(E(T	SO6L
TLP2735(E(O	SO6L	TLP2735(E(T	SO6L	TLP2745(E(O	SO6L	TLP2745(E(T	SO6L
TLP2748(E(O	SO6L	TLP2748(E(T	SO6L	TLP2761(E(O	SO6L	TLP2761(E(T	SO6L
TLP2766A(E(O	SO6L	TLP2766A(E(T	SO6L	TLP2767(E(O	SO6L	TLP2767(E(T	SO6L
TLP2768A(E(O	SO6L	TLP2768A(E(T	SO6L	TLP2770(E(O	SO6L	TLP2770(E(T	SO6L
TLP5701(E(O	SO6L	TLP5701(E(T	SO6L	TLP5702(E(O	SO6L	TLP5702(E(T	SO6L
TLP5751(E(O	SO6L	TLP5751(E(T	SO6L	TLP5751H(E(O	SO6L	TLP5752(E(O	SO6L
TLP5752(E(T	SO6L	TLP5752H(E(O	SO6L	TLP5754(E(O	SO6L	TLP5754(E(T	SO6L
TLP5754H(E(O	SO6L	TLP5771(E(O	SO6L	TLP5771(E(T	SO6L	TLP5772(E(O	SO6L
TLP5772(E(T	SO6L	TLP5774(E(O	SO6L	TLP5774(E(T	SO6L	TLP2701(E(T	4-SO6L
TLP383(E(T	4-SO6L	TLP385(E(T	4-SO6L	TLP385(E(O	4-SO6L	TLP387(E(T	4-SO6L
TLP388(E(T	4-SO6L	TLP2210(E(O	SO8L	TLP2261(E(O	SO8L	TLP2270(E(O	SO8L
TLP5832(E(O	SO8L	TLP7820(E(O	SO8L	TLP7830(E(O	SO8L	TLP5214(E(O	SO16L
TLP5214A(E(O	SO16L	TLP5231(E(O	SO16L	TLP2105	SO8	TLP2108	SO8
TLP2110	SO8	TLP2118E	SO8	TLP2160	SO8	TLP2161	SO8
TLP2166A	SO8	TLP2168	SO8	TLP2403	SO8	TLP2404	SO8
TLP2405	SO8	TLP2408	SO8	TLP2409	SO8	TLP2418	SO8
TLP2451A	SO8	TLP2466	SO8	TLP2468	SO8	-	

# Change details

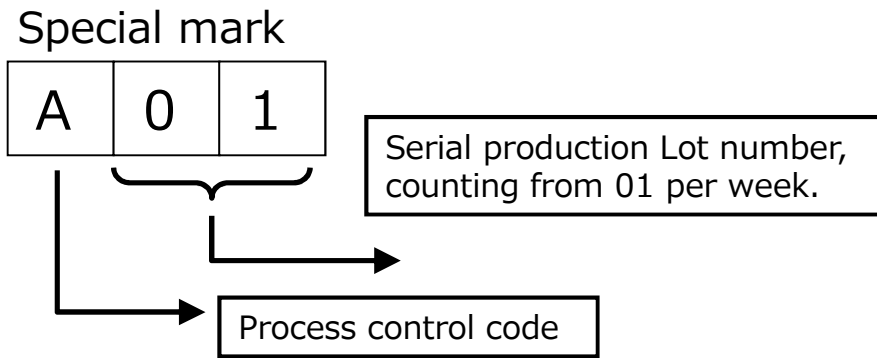
Purpose: Adding a special mark to improve traceability.

	After change	Current state
Advantage of adding a special mark	Assembly lot can be identified.	Identifiable only up to a lot manufactured in the same week.

## ■ Change 1. Addition of lot traceability (e.g. S04)



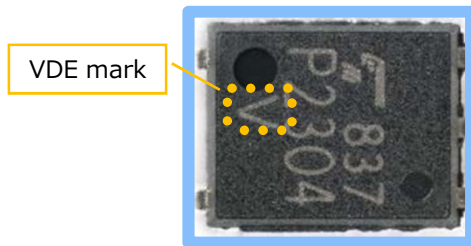
Special mark



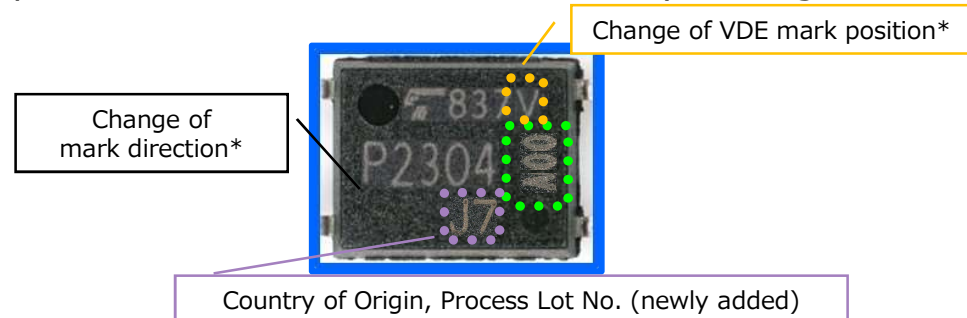
\* Same traceability has been adopted in other package of photocopier.

## ■ Change 2. 5pin SO6

The change of Mark direction/VDE mark position, and the addition of Country of Origin/Process Lot No.

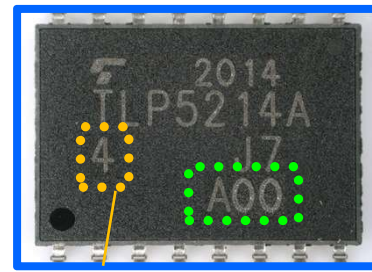
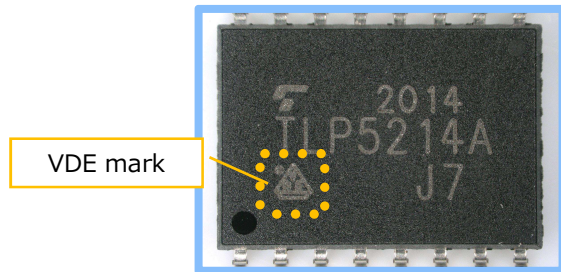


VDE mark







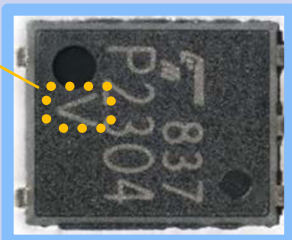
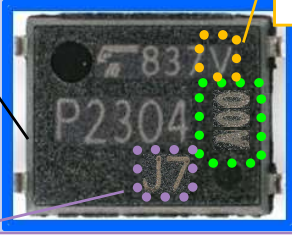
# Purpose

## ■ Change 3. SO16L Change of VDE mark



# Lot trace sample (marking example)





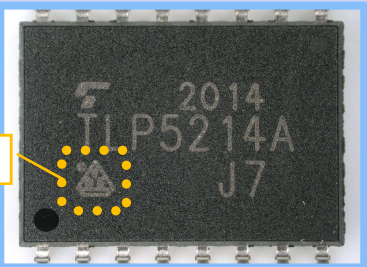
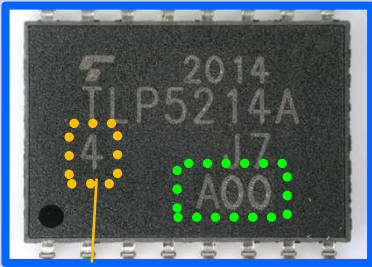
 Special mark

Package	Current mark	Changed mark
S04		
4pin S06		
5pin S06	 <p data-bbox="640 1102 792 1150">VDE mark</p>	 <p data-bbox="1279 1126 1487 1198">Mark direction changed *</p> <p data-bbox="1783 1031 2040 1102">VDE mark position changed *</p> <p data-bbox="1435 1318 2051 1358">Country of origin, Process Lot No. (newly added)</p>

\* 5pin S06: Mark of S06 package is unified, along with the addition of special mark

# Lot trace sample (marking example)

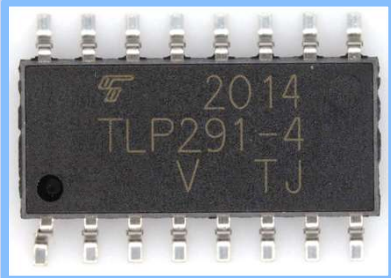
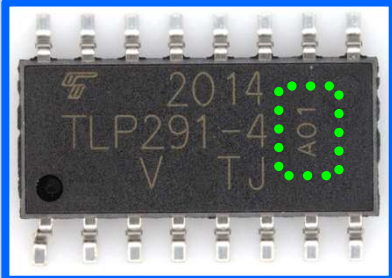
 Special mark

Package	Current mark	Changed mark
4pin SO6L & SO6L		
SO8L		
SO16L	 <p data-bbox="640 1193 786 1230">VDE mark</p>	 <p data-bbox="1223 1329 1592 1366">VDE mark is changed to "4".</p>



# Lot trace sample (marking example)



Package	Current mark	Changed mark
<b>S016</b>		
<b>S08</b>	