

11<sup>st</sup> April 2016

Dear Customer,

Anglia have been advised by Taicom the tooling for the below listed series has been updated with immediate effect, this is due to the old tooling being beyond its serviceable life. The revised parts have some minor dimensional and cosmetic appearance changes which do not impact the form, fit or function of the parts. Attached below are the old and new data sheets for comparison purposes.

Affected part(s):

**TBAxxAGN**  
**TBAxxAGN-1**

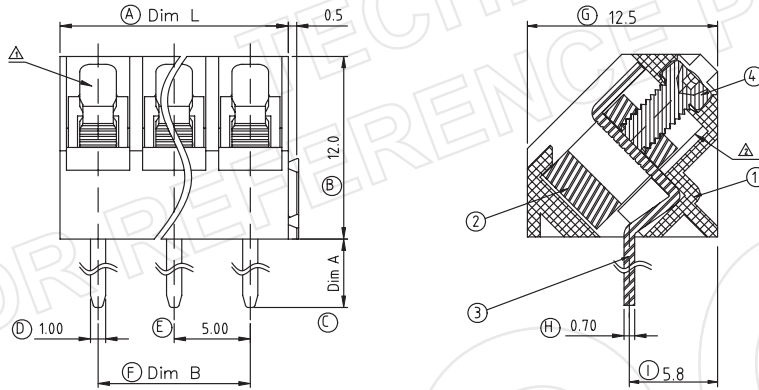
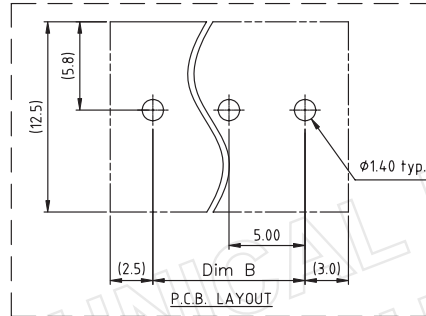
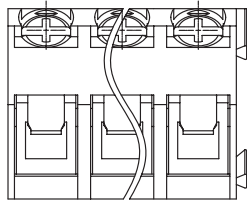
xx = number of ways

Anglia operates a strict FIFO system in our Distribution Centre therefore it may take some time for this change to filter through to customer deliveries of the above part numbers.

Please make the relevant person(s) in your organisation aware of this change.

Yours Sincerely  
Anglia

# OLD VERSION



- Material:
- Item 1 Terminal housing : Thermoplastic (UL 94V-0)
  - Item 2 Clamp : Brass ,Ni plated
  - Item 3 Wire guard solder pin : Brass ,Tin plated
  - Item 4 Terminal screw : Steel Zinc plating"/+/-"slot type

- | Electrical               | UL               | CSA     |
|--------------------------|------------------|---------|
| ● Voltage rating:        | 300V             | 300V    |
| ● Current rating:        | 10A              | 10A     |
| ● Wire range:            |                  |         |
| ● Solid wire(AWG):       | 12-22            | 12-22   |
| ● Stranded wire(AWG):    | 12-22            | 12-22   |
| ● Torque:                | 3.5Lb-In         | 4Kgf.cm |
| ● Screw:                 | M2.5             | M2.5    |
| ● Wire strip length:     | 6-7mm            | 6-7mm   |
| ● Withstanding Voltage:  | 1.6kv            | 1.6kv   |
| ● Operating temperature: | -40°C to + 115°C |         |
| ● Soldering temperature: | 250°C±10°C/5 Sec |         |
| ● Safety Approval:       |                  |         |

Poles	02	03	04	05	06	07	08	09	10	11	12	13
Dim L	10.00	15.00	20.00	25.00	30.00	35.00	40.00	45.00	50.00	55.00	60.00	65.00
Dim B	5.00	10.00	15.00	20.00	25.00	30.00	35.00	40.00	45.00	50.00	55.00	60.00
TOL	±0.15						±0.25					
Poles	14	15	16	17	18	19	20	21	22	23	24	
Dim L	70.00	75.00	80.00	85.00	90.00	95.00	100.0	105.0	110.0	115.0	120.0	
Dim B	65.00	70.00	75.00	80.00	85.00	90.00	95.00	100.0	105.0	110.0	115.0	
TOL	±0.35						±0.40					

RoHS Compliant

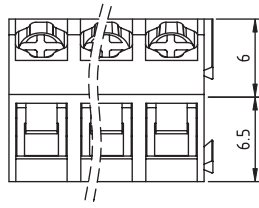
Issue	Revision Details

Product(s) MUST comply with the requirements of the RoHS Directive 2002/95/EC.

all dimensions in mm

 Sandall Road, Wisbech PE13 2PS, U.K. www.anglia.com info@anglia.com	<b>Title:</b> 5.0 Series 2P - 24P '+/-' Screw (Short interlock)	<b>Issue:</b> 1	<b>Issue Date:</b> 7/4/15	<b>Prev Issue:</b>
	<b>Part No. :</b> TBAXXAGN	<b>Scale:</b> NTS		<b>Angle:</b>
	<b>Manufacturer:</b> TAICOM	<b>Tol:</b>	x. = ±0.50 x.x = ±0.30 x.xx = ±0.10	

# NEW VERSION

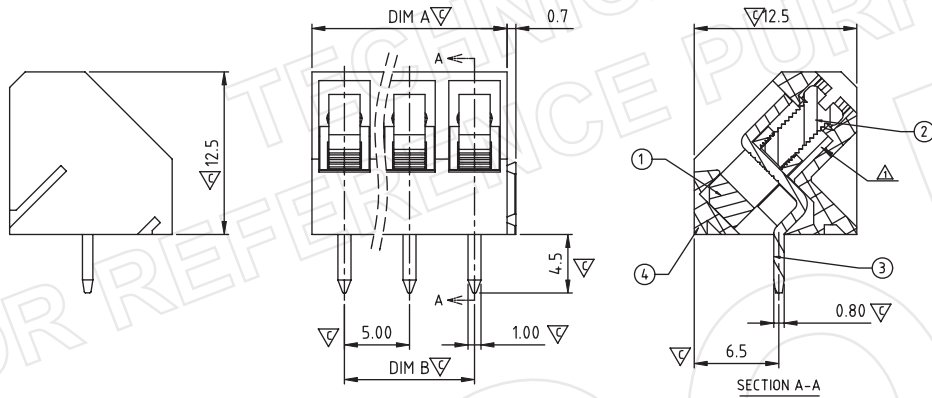


N = Number of poles  
 Dim A = N x 5.0  
 Dim B = (N - 1) x 5.0

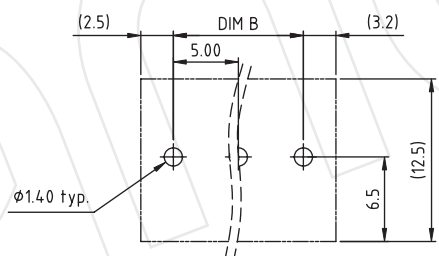
	Dim A	Dim B
2-6p	±0.15	±0.15
7-12p	±0.20	±0.20
13-18p	±0.30	±0.30
19-24p	±0.40	±0.40

- Material:
- Item ① Clamp: Brass, Ni plated
  - Item ② Terminal screw: Steel Zinc plating "+/-" slot type.
  - Item ③ Wire guard solder pin: Brass, Tin plated
  - Item ④ Terminal housing: Thermoplastic (UL94V-0)

- Electrical: UL/VDE
- Voltage rating: 300V/250V
  - Current rating: 15A/10A
  - Wire range: 0.34-4.0mm<sup>2</sup>
  - Solid wire(AWG): 12-24
  - Stranded wire(AWG): 12-24
  - Torque: 3.5 Lb-In / 0.4 N.m
  - Screw: M2.5
  - Wire strip length: 6-7mm
  - Withstanding Voltage: 1.6 KV/2 KV
  - Operating temperature: -40°C to +115°C
  - Soldering temperature: 250°C ± 10°C / 5 Sec
  - Safety Approval:
  - Critical dimension:



N = Number of contacts



PCB LAYOUT

Product(s) MUST comply with the requirements of the RoHS Directive 2002/95/EC.

all dimensions in mm

Issue	Revision Details

**anglia**  
 Sandall Road, Wisbech  
 PE13 2PS, U.K.  
 www.anglia.com  
 info@anglia.com

<b>Title:</b> TG 5.0mm Interlock type Screw +/- Series 2p-24p
<b>Part No. :</b> TBAXxAGN
<b>Manufacturer:</b> TAICOM

<b>Issue:</b> 1	<b>Issue Date:</b> 1/4/16
<b>Scale:</b> NTS	
<b>Tol:</b>	x. = ±0.50 x.x = ±0.30 x.xx = ±0.10

<b>Prev Issue:</b>
<b>Angle:</b>
<b>Page:</b> 1 of 1