

Sandall Road  
Wisbech  
PE13 2PS UK

Tel: +44 (0)1945 47 47 47  
Fax: +44 (0)1945 47 48 49

5<sup>th</sup> May 2017

Dear Customer,

Anglia have been advised by the manufacturer Taicom that the tooling for the series listed below has been updated with immediate effect, this is due to the old tooling being beyond its serviceable life.

Taicom advise they have also taken this opportunity to revise the mouldings to improve the efficiency and yield of the production process. The revised parts have some minor dimensional and cosmetic appearance changes which do not impact the form, fit or function of the parts. Attached below are the old and new data sheets for comparison purposes.

Series affected by this notification

TBV2xxAGN

TBV2xxAGN-1

Anglia operates a strict F.I.F.O system in our Distribution Centre therefore it may take some time for this change to filter through to customer deliveries.

Please ensure this information is circulated to the relevant persons within your organisation.

Yours Sincerely  
Anglia

**VERTICAL - standard profile**

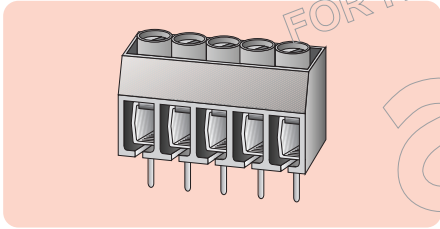
**5mm PITCH**

**LUMBERG type KRESS**



Standard profile, 5mm pitch blocks fitted with wire protection guards.  
Choice of 2 to 12 way.

- ◆ 5mm pitch, 15A rating
- ◆ Standard profile, 14mm height
- ◆ Wire protection
- ◆ Grey UL94V-2 flame retardant bodies



Type	Manf. Part No. & anglia Order Code
2 way	<b>KRESS2</b>
3 way	<b>KRESS3</b>
4 way	<b>KRESS4</b>
5 way	<b>KRESS5</b>
6 way	<b>KRESS6</b>
7 way	<b>KRESS7</b>
8 way	<b>KRESS8</b>
9 way	<b>KRESS9</b>
10 way	<b>KRESS10</b>
12 way	<b>KRESS12</b>

**Specification**

Body ..... UL94V-2 PA6.6  
 Current rating† ..... 15A  
 Voltage rating† ..... 250Vac  
 Max. wire size ..... 4.0mm<sup>2</sup> (single)  
   2.5mm<sup>2</sup> (stranded)  
 Operating temperature range ..... -25°C to +100°C

† limited by pcb

**Dimensions (mm)**

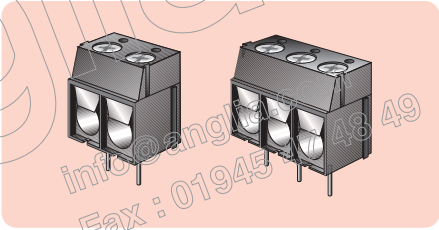
Length ..... 5 x no. ways  
 Height ..... 14  
 Depth ..... 8.3  
 Pin Size ..... 0.7 x 1  
 Pitch ..... 5

**TAICOM type TBV2/AGN**



Standard profile, 5mm pitch blocks fitted with wire protection guards.  
Choice of 2 to 12 way which may be interlocked together to increase their permutation. Holes provided for test probes.

- ◆ 5mm pitch, 16A rating
- ◆ Standard profile, 12.6mm height
- ◆ **Interlocking (double dovetail)**
- ◆ Wire protection
- ◆ **Combi screws** suit pneumatic tools
- ◆ Black **UL94V-0** flame retardant bodies



Complies with VDE

Type	Manf. Part No. & anglia Order Code
2 way	<b>TBV202AGN</b>
3 way	<b>TBV203AGN</b>
4 way	<b>TBV204AGN</b>
5 way	<b>TBV205AGN</b>
6 way	<b>TBV206AGN</b>
7 way	<b>TBV207AGN</b>
8 way	<b>TBV208AGN</b>
9 way	<b>TBV209AGN</b>
10 way	<b>TBV210AGN</b>
11 way	<b>TBV211AGN</b>
12 way	<b>TBV212AGN</b>

N.B. Low profile (TBV8/AG) is preferred range.

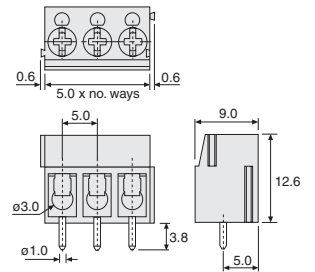
**Specification**

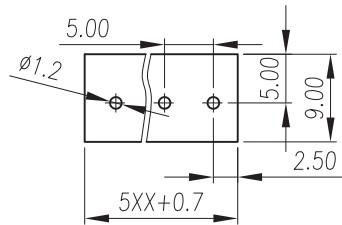
**Materials**  
 Mouldings ..... Black glass filled polyamide to UL94V-0  
 Terminals ..... Brass, tin plated  
 Screws ..... M3, galvanised steel chromate finish  
 Wire guards ..... Stainless steel

**Ratings (limited by pcb)**  
 Current rating ..... 16A  
 Voltage rating ..... 380Vac  
 Oper. temp. range ..... -33°C to +120°C

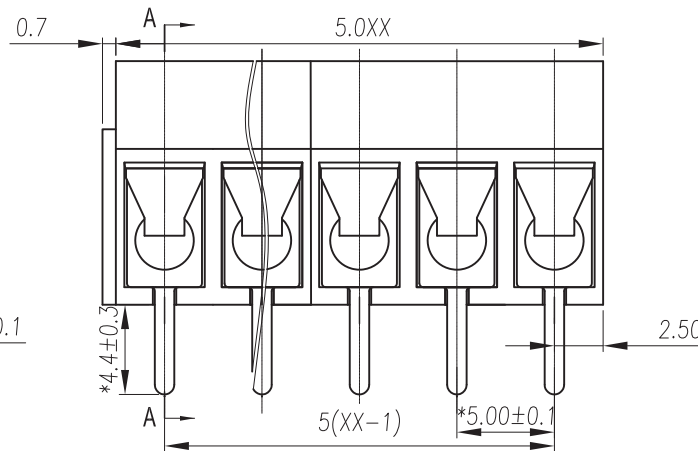
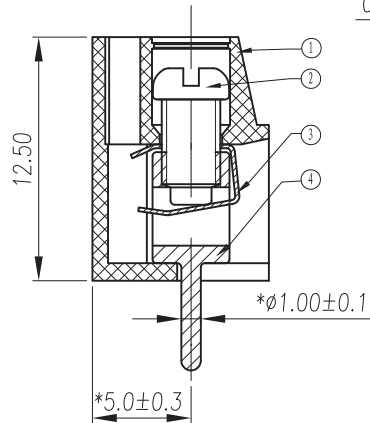
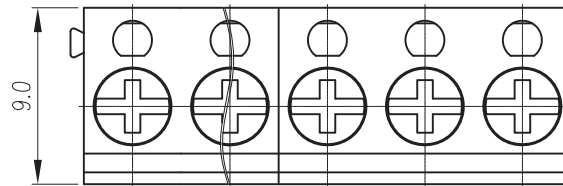
**Wire Size**  
 Range ..... 14 to 22awg  
 Metric capacity ..... 2.5mm<sup>2</sup> max. (solid)  
   1.5mm<sup>2</sup> max. (stranded)

**Dimensions (mm)**





**P.C.B. LAYOUT**



## SPECIFICATION

Current Rating : 16A AC/DC  
 Voltage Rating : 250V AC/DC  
 Operation Temperature : -30°C to +120°C  
 Contact Resistance : 20mΩ max.  
 Insulation Resistance : 500MΩ Min.  
 Withstand Voltage : 2000V AC/minute  
 Wire range : 22 ~ 14 AWG  
 Max Soldering : +250°C for 5 Sec

### Dimensions

Pitch : 5.0mm  
 Poles : 2-24p

### Mechanical

Torque (Max.): 0.5Nm  
 Steip Length: 4 - 4.5mm

### Material

Housing : PA66, UL94V-0  
 Screws : M3.0, Steel Zn plated  
 Pin Header : Brass, Tin plated  
 Shrapnel : Phosphor bronze, Ni plated

RoHS Compliant

variable range	linear dimension(Tolerances Standard GB/T 14486-2008)											≡	—	□	//	⊥
	to 6	over 6 to 10	over 10 to 18	over 18 to 30	over 30 to 50	over 50 to 80	over 80 to 120	over 120 to 160	over 160 to 200	over 200 to 250	over 250 to					
tolerance	±0.1	±0.14	±0.19	±0.25	±0.32	±0.43	±0.57	±0.72	±0.88	±1.05	±1.25	0.5	0.025	0.06	0.12	0.4

## Taicom TBV2xxAGN

Title : 5mm pitch Vertical Standard Profile

Tolerance (Unless Specified) : .x = ±0.20  
 .xx = ±0.15

Dim : (mm)

Angle :