

Sandall Road
Wisbech
PE13 2PS UK

Tel: +44 (0)1945 47 47 47
Fax: +44 (0)1945 47 48 49

5th May 2017

Dear Customer,

Anglia have been advised by the manufacturer Taicom that the tooling for the series listed below has been updated with immediate effect, this is due to the old tooling being beyond its serviceable life.

Taicom advise they have also taken this opportunity to revise the mouldings to improve the efficiency and yield of the production process. The revised parts have some minor dimensional and cosmetic appearance changes which do not impact the form, fit or function of the parts. Attached below are the old and new data sheets for comparison purposes.

Series affected by this notification

TBV1xxCG

TBV1xxCG-1

Anglia operates a strict F.I.F.O system in our Distribution Centre therefore it may take some time for this change to filter through to customer deliveries.

Please ensure this information is circulated to the relevant persons within your organisation.

Yours Sincerely
Anglia

VERTICAL - low profile

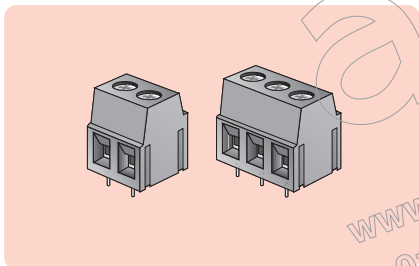
3.5mm PITCH

TAICOM type TBV1/CG



Miniature size, 3.5mm pitch blocks fitted with rising clamp type wire protection guards. Choice of 2 to 12 way which may be interlocked together to increase their permutation. Access provided for test probes.

- ◆ 3.5mm pitch, 6A rating
- ◆ Low profile, 8.5mm height
- ◆ Miniature size
- ◆ **Interlocking (double dovetail)**
- ◆ **Rising clamp** wire protection
- ◆ **Combi screws** suit pneumatic tools
- ◆ Green **UL94V-0** flame retardant bodies
- ◆ Ideal for telecom/security industry



Type	Manf. Part No. & anglia Order Code
2 way	TBV102CG
3 way	TBV103CG
4 way	TBV104CG
5 way	TBV105CG
6 way	TBV106CG
7 way	TBV107CG
8 way	TBV108CG
9 way	TBV109CG
10 way	TBV110CG
11 way	TBV111CG
12 way	TBV112CG

Other ways available to special order

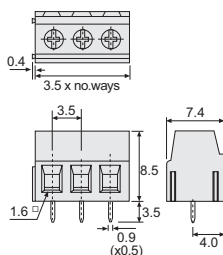
Specification

Materials
 Mouldings Green glass filled polyamide to UL94V-0
 Terminals Brass, tin plated
 Screws Steel, tin plated
 Rising clamps Brass, tin plated

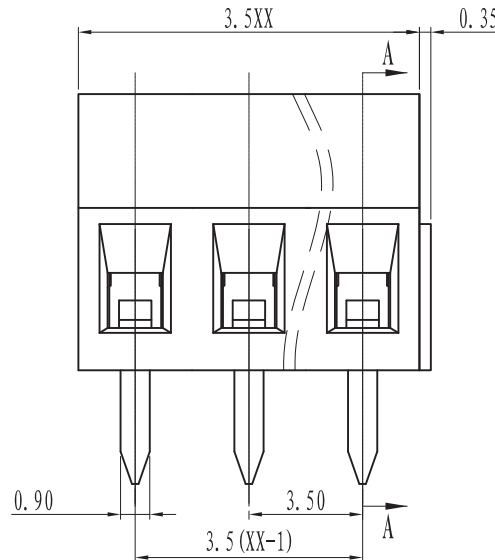
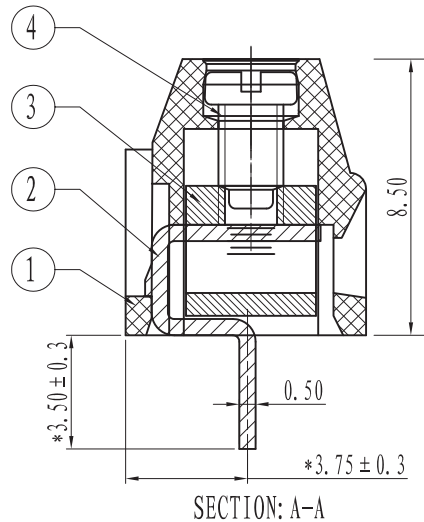
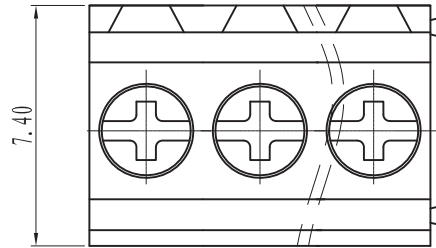
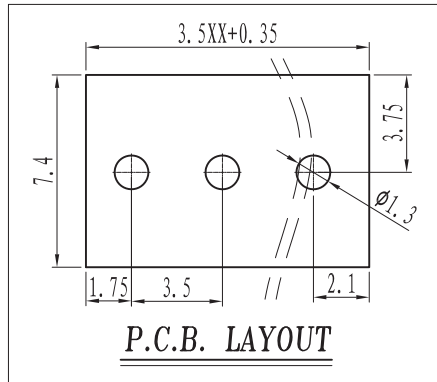
Ratings (limited by pcb)
 Current rating 6A
 Voltage rating 150Vac
 Oper. temp. range -33°C to +120°C

Wire Size
 Range 16 to 24awg
 Metric capacity 1.5mm² max. (solid)
 1.0mm² max. (stranded)

Dimensions (mm)



TECHNICAL DATA FOR REFERENCE PURPOSES ONLY
 anglia
 www.anglia.com
 Tel : 01945 47 47 47
 info@anglia.com
 Fax : 01945 47 48 49



SPECIFICATION

Current Rating : 10A AC/DC
 Voltage Rating : 300V AC/DC
 Contact Resistance : 20mΩ max.
 Insulation Resistance : 500MΩ Min.
 Withstand Voltage : 2000V AC/minute
 Wire range : 28 - 16AWG
 Temperature Range : -40°C ~ +105°C

Mechanical

Torque (Max) : 0.2Nm
 MAX Soldering : -250°C for 5 sec

Dimensions

Pitch : 3.5mm
 Poles : 2~24p

Material

Housing : PA66, UL94V-0
 Screws : M2.0, Steel Zn Plated
 Pin Header : Brass, Tin plated
 Cage : Brass, Ni plated

variable range	linear dimension (Tolerances Standard GB/T 14486-2008)										≡	—	□	//	⊥	
	to 6	over 6 to 10	over 10 to 18	over 18 to 30	over 30 to 50	over 50 to 80	over 80 to 120	over 120 to 160	over 160 to 200	over 200 to 250						over 250 to
tolerance	±0.1	±0.14	±0.19	±0.25	±0.32	±0.43	±0.57	±0.72	±0.88	±1.05	±1.25	0.5	0.025	0.06	0.12	0.4

RoHS Compliant

Taicom TBV1xxCG

Title : Vertical, 3.5mm Pitch Rising Clamp

Tolerance (Unless Specified) :

Dim : (mm)

Angle :