

Sandall Road
Wisbech
PE13 2PS UK

Tel: +44 (0)1945 47 47 47
Fax: +44 (0)1945 47 48 49

31st May 2017

Dear Customer,

Anglia have been advised by the manufacturer Taicom that the tooling for the series listed below has been updated with immediate effect, this is due to the old tooling being beyond its serviceable life.

Taicom advise they have also taken this opportunity to revise the mouldings to improve the efficiency and yield of the production process. The revised parts have some minor dimensional and cosmetic appearance changes which do not impact the form, fit or function of the parts

Attached below are the old and new data sheets for comparison purposes.

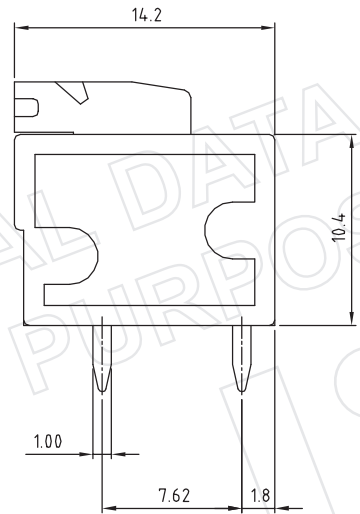
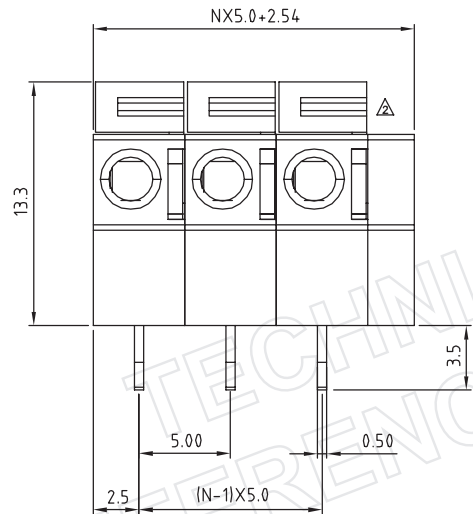
Series affected by this notification:

TBRxxAN

Anglia operates a strict F.I.F.O system in our Distribution Centre therefore it may take some time for this change to filter through to customer deliveries.

Please ensure this information is circulated to the relevant persons within your organisation.

Yours Sincerely
Anglia



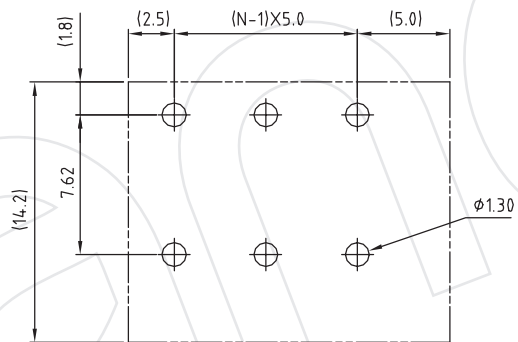
Material

- Terminal body (Contact pin): Brass
- Wire guard: Stainless steel
- Surface of solder tail: Tin plated
- Insulator (housing): Thermoplastic (UL94V-0)

Electrical cULus/VDE

- Voltage rating: 300VAC/250VAC
- Current rating: 10A/10A
- Wire range: 0.75-1.5mm²
- Solid wire(AWG): 14-24
- Stranded wire(AWG): 14-24
- Pull force:
- Screw:
- Wire strip length: 9-10mm
- Withstanding Voltage: 16KV/2KV
- Operating temperature: -40°C to +115°C
- Soldering temperature: 250°C±10°C/5 Sec
- Safety Approval:

N=Number of contacts



P.C.B. LAYOUT

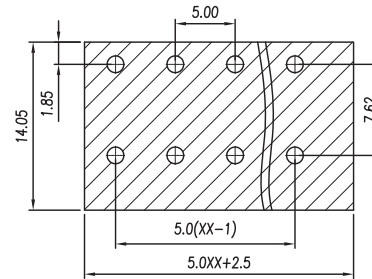
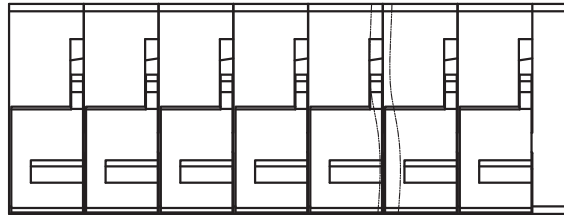
2-6p	±0.20	±0.20
6-12p	±0.25	±0.25
12-24p	±0.40	±0.40

Product(s) MUST comply with the requirements of the RoHS Directive 2002/95/EC.

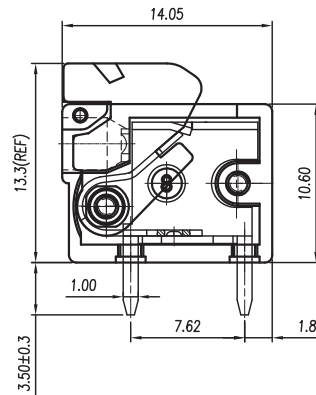
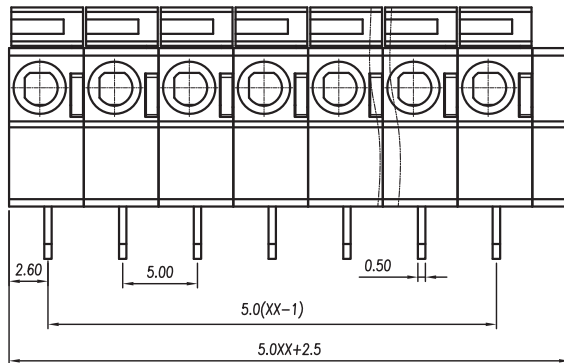
all dimensions in mm

Issue	Revision Details

 Sandall Road, Wisbech PE13 2PS, U.K. www.anglia.com info@anglia.com	Title: 5.0mm 180° series	Issue: 1	Issue Date: 8/5/17	Prev Issue:
	Part No. : TBRxxAN (OLD VERSION)	Scale: NTS		Angle:
	Manufacturer: TAICOM	Tol:	.x = ±0.30	



P.C.B. LAYOUT



SPECIFICATION

Current Rating : 10A AC/DC
 Voltage Rating : 300V AC/DC
 Operation Temperature : -40°C to + 105°C
 Contact Resistance : 20m max.
 Insulation Resistance : 500M Min.
 Wire Range : 24-14AWG 0.5mm
 Withstand Voltage : 2000V AC/minute

Mechanical
 Strip length : 10-11mm
 Soldering : + 250°C Max for 5 sec
 Pitch : 5.0mm
 Poles : 2-24p

Housing : PA66, UL94V-0
 Wire Guard: Stainless steel
 Pin Header : Brass, Tin plated

		linear dimension (Tolerances Standard GB/T 14486-2008)										≡	—	▭	//	⊥	
variable range	to	over 6	over 10	over 18	over 30	over 50	over 80	over 120	over 160	over 200	over 250	all	to 5	over 5	over 30	over 120	
	6	to 10	to 18	to 30	to 50	to 80	to 120	to 160	to 200	to 250	to 30			to 120	to		
tolerance		±0.1	±0.14	±0.19	±0.25	±0.32	±0.43	±0.57	±0.72	±0.88	±1.05	±1.25	0.5	0.025	0.06	0.12	0.4

RoHS Compliant

Taicom TBRxxAN (NEW VERSION)

Title : Screwless, Horizontal, 5mm Pitch

Tolerance (Unless Specified) : $.x = \pm 0.20$
 $.xx = \pm 0.15$

Dim : (mm)

Angle :