

Sandall Road  
Wisbech  
PE13 2PS UK

Tel: +44 (0)1945 47 47 47  
Fax: +44 (0)1945 47 48 49

12<sup>th</sup> January 2018

Dear Customer,

Anglia have been advised by the supplier Studiomate that there are some dimensional changes to the below listed parts due to new tooling being implemented.

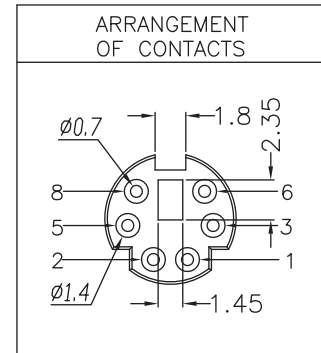
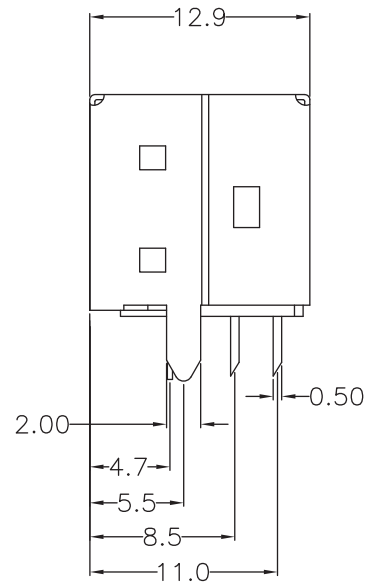
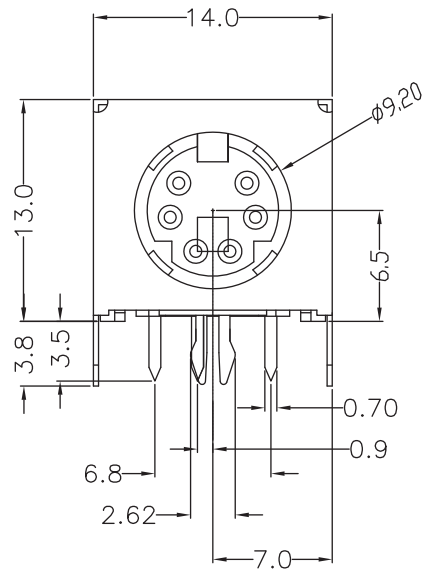
Parts affected by this notification.  
A21K506

Attached are the old and new drawings to allow you to review the changes to the product.

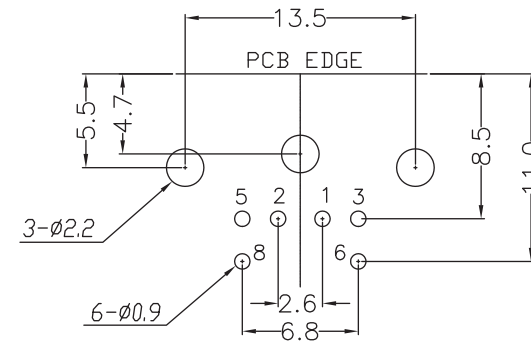
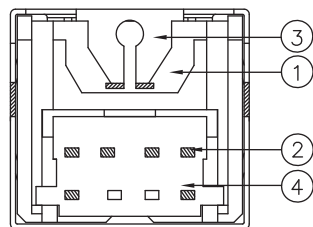
Anglia operates a strict FIFO system in our warehouse facility therefore it may take some time for this change to filter through to customer deliveries of the above part numbers.

Please make the relevant person(s) in your organisation aware of this change.

Yours Sincerely  
Anglia



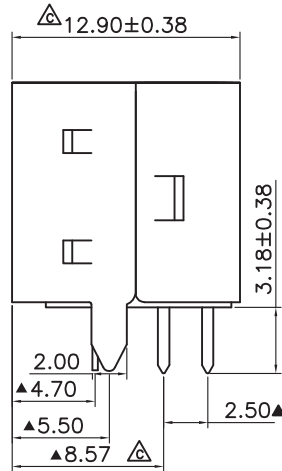
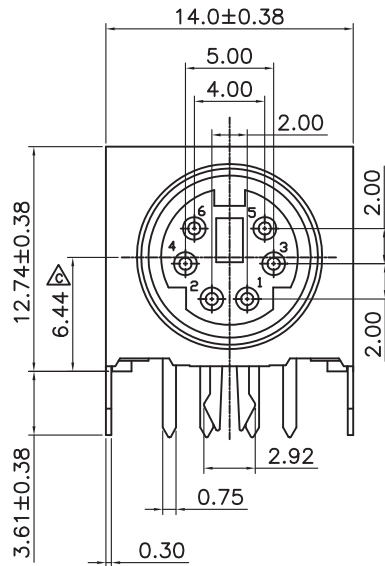
Specifications:  
 Current rating: 100V AC 1A  
 Voltage rating: 12V DC 2A  
 Contact resistance: 30m ohm. max.  
 Insulation resistance: 100M ohm. Min.  
 Withstanding voltage: 250V AC for one minute  
 Operating temperature range: -40°C to + 105°C  
 Material and Finish:  
 Insulator: PBT(UL94V-0)  
 Standard Color:Black  
 Contact: Phosphor Bronze  
 Plating:Gold Plated/TIN Plated



P.C.B. Layout

Product(s) MUST comply with the requirements of the RoHSDirective 2002/95/EC.

<b>Part Number:</b> A21K506 <b>OLD VERSION</b>	<b>Angle:</b>
<b>Title:</b> Mini Din Jack Flat 6 Pin Dip	
all dimensions in mm	<b>Tol.</b> (unless stated) .x = ±0.25 .xx = ±0.13 .xxx = ±0.05



Specifications:

Current Rating: 1.5 AMP  $\triangle_B$

Voltage Rating: 30V rms AC/DC maximum  $\triangle_B$

Contact Resistance: 30m ohm maximum

Insulation Resistance: 500M ohm minimum  $\triangle_B$

Withstanding Voltage: AC 500V/minute AC

Operating Temperature Range: -25°C To +85°C

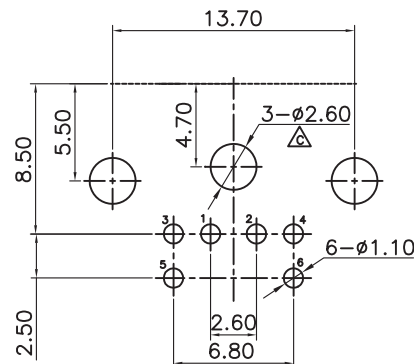
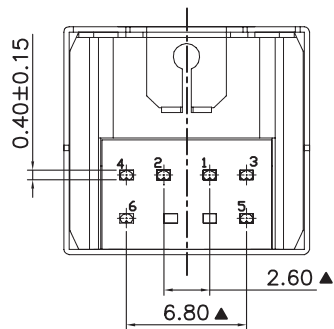
Material and Finish:

Insulator: PBT UL94V-0, Black

Contact: Brass (C2680), Gold Plated On Contact Area/

Tin 50u" Min Plated On Solder Tail.

Shell: Brass (C2680), Nickel 30u" Plated Over All



P.C.B. LAYOUT  
(TOP VIEW)

<b>Part Number:</b> A21K506 <b>NEW VERSION</b>	<b>Angle:</b> 
<b>Title:</b> Min Din 6F Right Angle with 5 side shielding	
all dimensions in mm	<b>Tol.</b> (unless stated) .x = ±0.38 .xx = ±0.25 .xxx = ±0.15