

Dear Customer,

Anglia have been advised by the supplier STUDIOMATE that due to the implementation of new tooling, there are dimensional changes to part number A12F500

Attached below are the old and the new dimension for your evaluation

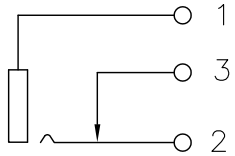
Anglia operates a strict FIFO system within our Distribution Centre therefore it may take some time for the new product to reach customers.

Please make the relevant personnel within your organisation aware of this notification.

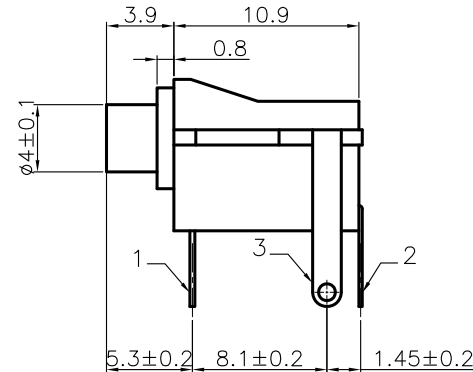
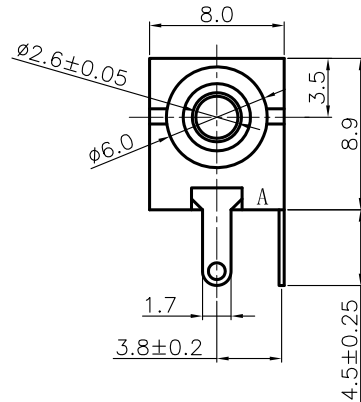
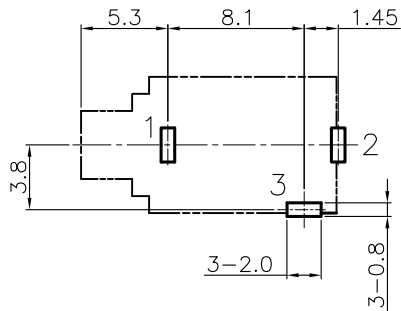
Yours Sincerely

Anglia

## CURRENT VERSION



CIRCUIT DIAGRAM



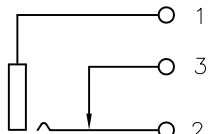
## Specifications:

Current Rating: 0.5A AC/DC  
 Contact Resistance: 50m Ohm Max  
 Insulation Resistance: 100M Ohm Min  
 Withstanding Voltage: AC 500V AC/Minute  
 Operating Temperature Range: -25°C To +85°C

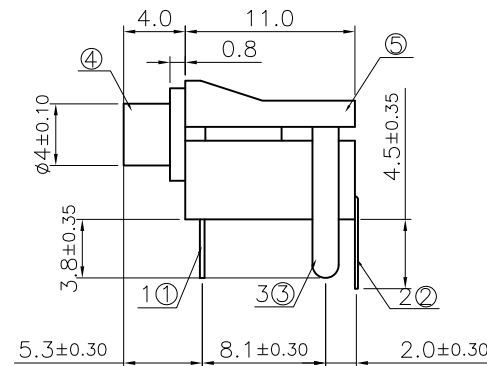
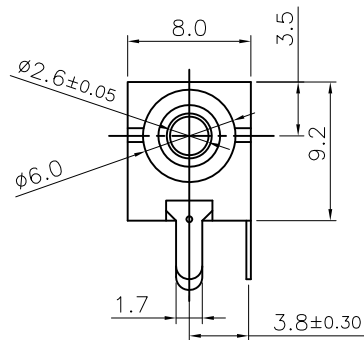
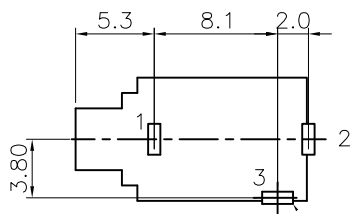
## Materials and Finish:

Insulator: PBT (UL94V-0)  
 Insulator Color: Black  
 Contact: Brass  
 Plating: Tin Plated  
 Shell: Copper Alloy  
 Plating: Nickel Plated

## NEW MOLD



Circuit Diagram



## Specifications:

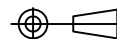
Current Rating: 0.5A AC,DC  
 Contact Resistance: 30m ohm.Max  
 Insulation Resistance: 100M ohm.Min  
 Withstanding Voltage: 500V AC/Minute  
 Housing PBT (Black)  
 Turn Fix H59 (Copper Alloy) Ni-Plated  
 Terminal Brass T=0.30 Sn-Plated  
 Terminal 65Mn T=0.20 Sn-Plated  
 Terminal Brass T=0.30 Sn-Plated

GENERAL TOLERANCE:

.X=±0.2  
 .XX=±0.15

SCALE: 1:1  
 SHEET: 1/1

UNIT: MM  
 PROJECTION:



DESCRIPTION: 2.5MM EARPHONE JACK

PART NO: A12F500

SIZE

**A4**

D