

## Product change notification (PCN)

<b>Title / short description</b>	Construction of a replacement tool and optimization of the geometries
<b>Affected article category</b>	Electronic housing
<b>Change category</b>	Production process, Form and appearance
<b>Change number</b>	PAC190023-02

### Purpose/objective of the change

The old tool is worn and therefore a new tool is required

### Detailed description of the change

New tool with adoption of production optimization by adjusting the geometries. Function will not be changed. The label on the item has been changed from PA to PA-FR.

### Identifying characteristics

Lot increase on packaging

<b>Start of Production (SOP)</b>	-	<b>Last Time Delivery (LTD)</b>	-
<b>Effective date (EOP)</b>	2020-03-06	<b>End of Service (EOSR)</b>	-
<b>End of Sales (EOS)</b>	-		

### Short-term change (< 6 months) or discontinuation (< 12 months), due to:

- |   |   |  |
|---|---|--|
| <input type="checkbox"/> Software / Firmware Bugfix | <input type="checkbox"/> Short-term delivery stop by supplier       | <input type="checkbox"/> Short-term recall by supplier |
| <input type="checkbox"/> Force majeure              | <input type="checkbox"/> Product improvement with customer benefits |  |
| <input type="checkbox"/> Others                     |   |  |

### Attachments

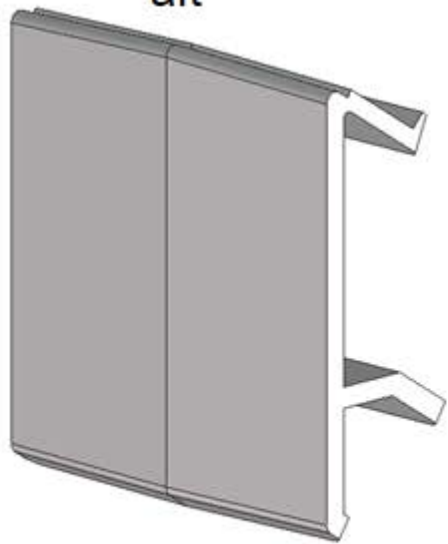
- PAC190023-current production status future production status.png
- Material\_list.csv
- PCN-PAC190023-02 Bau eines Ersatzwerkzeugs und Optimierung der Geometrien\_DE
- PCN-PAC190023-02 Construction of a replacement tool and optimization of the geometries\_EN

**Material list**

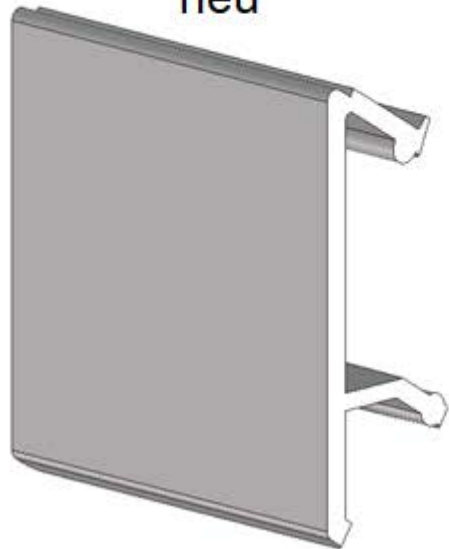
Item	Article Type	Revision/production batch		Item	Substitute item Type
		old	new		
1175270	SET ME MAX BK USIS V2 VPE100	00	01		
2896610	ME MAX B-17,5 FRBK	01	02		
2915054	ME MAX B-22,5 FRBK	01	02		
2199692	ME MAX B-22,5 GYBN	01	02		
2201016	ME MAX B-17,5 KMGY BO	01	02		
2201267	ME MAX B-17,5 BK	01	02		
2279978	ME MAX B-22,5 RD	02	03		
2200736	ME MAX B-22,5 BUGY	01	02		
1027765	ME MAX 90 2-2 KMGY S1124	00	01		
2200636	ME MAX 22,5 FKDSO DEMO-SET	00	01		
2202821	ME MAX B-22,5 GYWH2	00	01		
2200581	UM 45-PROFIL 13,3CM	01	02		
2201586	ME MAX B-22,5 GY	01	02		
2202521	ME MAX B-22,5 YE 1004	01	02		
2707916	ME MAX B-22,5 GN	00	01		
1106852	ME MAX B-22,5 PGBU	01	02		
2203780	ME MAX 45 2-2 KMGY S1051	00	01		
2890166	ME MAX B-22,5 KMGY S75	00	01		
2199362	ME MAX 35 2-2 SET KMGY S6	01	02		
2915724	ME MAX 45 U-U1 KPL KMGY S87	00	01		
2901686	ME MAX B-22,5 GNTQ P+F	01	02		
2200471	ME MAX B-17,5 PGBU	02	03		
2707929	ME MAX B-22,5 KMGY	01	02		
2202385	ME MAX B-22,5 RD	01	02		
2890153	ME MAX B-17,5 BU	01	02		
2200587	ME MAX 45 2-2 KMGY SET S407	01	02		
2706991	ME MAX B-17,5 GN	01	02		
2202524	ME MAX 22,5 2-2 DEV-KIT KMGY	01	02		
2202216	ME MAX B-22,5 GY7016	01	02		
2201017	ME MAX B-22,5 KMGY BO	00	01		
2706959	ME MAX B-17,5 KMGY	01	02		
2869317	ME MAX B-22,5 BK	00	01		
2695882	ME MAX B-22,5 YE	01	02		
2200723	ME MAX B-22,5 KMGY VPE500	00	01		
2202303	ME MAX B-22,5 KMGY E+H	01	02		
2697136	ME MAX B-22,5 BU	01	02		
2278474	ME MAX B-17,5 GYWH	00	01		
5101849	SAMPLE-RAIL ME MAX GEH	00	01		

Item	Article Type	Revision/production batch		Item	Substitute item Type
		old	new		
5101849	SAMPLE-RAIL ME MAX GEH	01	02		
		01	02		
		03	04		

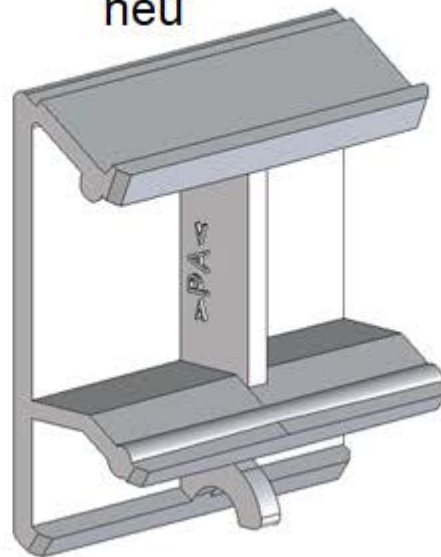
alt



neu



neu



alt

