

Product Change Notification & Product Discontinuation Notification [PCN & PDN]

Manufacturer master data	
Company short name: Phoenix Contact	
Title / short description: ME-PLC, WINDOW, Aufdickung der Wandstärke	
Type of notification: Product change notification	Issue date: 2019-10-14
	Document ID: CAC190043
PCN format version: VDMA24903_1.0	Document Revision: 01
Company name: PHOENIX CONTACT GmbH & Co. KG	
Street: Flachsmarktstraße 8	Contact type: MANUFACTURER
ZIP code: 32825	Business Unit: Device Connector Devices (DCS)
City: Blomberg	E-Mail: info@phoenixcontact.com
State: North-Rhine Westphalia	Country: DEU

Purpose/objective of the change

Affected article category

- Electronic housing

Item category by VDMA 24903

- Others

Change category

- Material
- Form and appearance

Item change type by smartPCN	
Group	Detailed description of the change
Product design change	Outer material dimensions

Short-term change (< 6 months) or discontinuation (< 12 months), due to:

- Software / Firmware Bugfix
- Short-term delivery stop by supplier
- Short-term recall by supplier
- Force majeure
- Product improvement with customer benefits
- Others

Detailed description of the change

Technical description – purpose

Vermeidung der sichtbaren Fließnaht auf dem E-PLC WINDOW 40 TRANS

Technical description – detail

Zur Verbesserung des Fließverhaltens und zur Vermeidung der sichtbaren Fließnaht auf dem E-PLC WINDOW 40 TRANS wird die Wandstärke des E-PLC WINDOW 40 TRANS nach innen 0,4 mm aufgedickt

Identifying characteristics

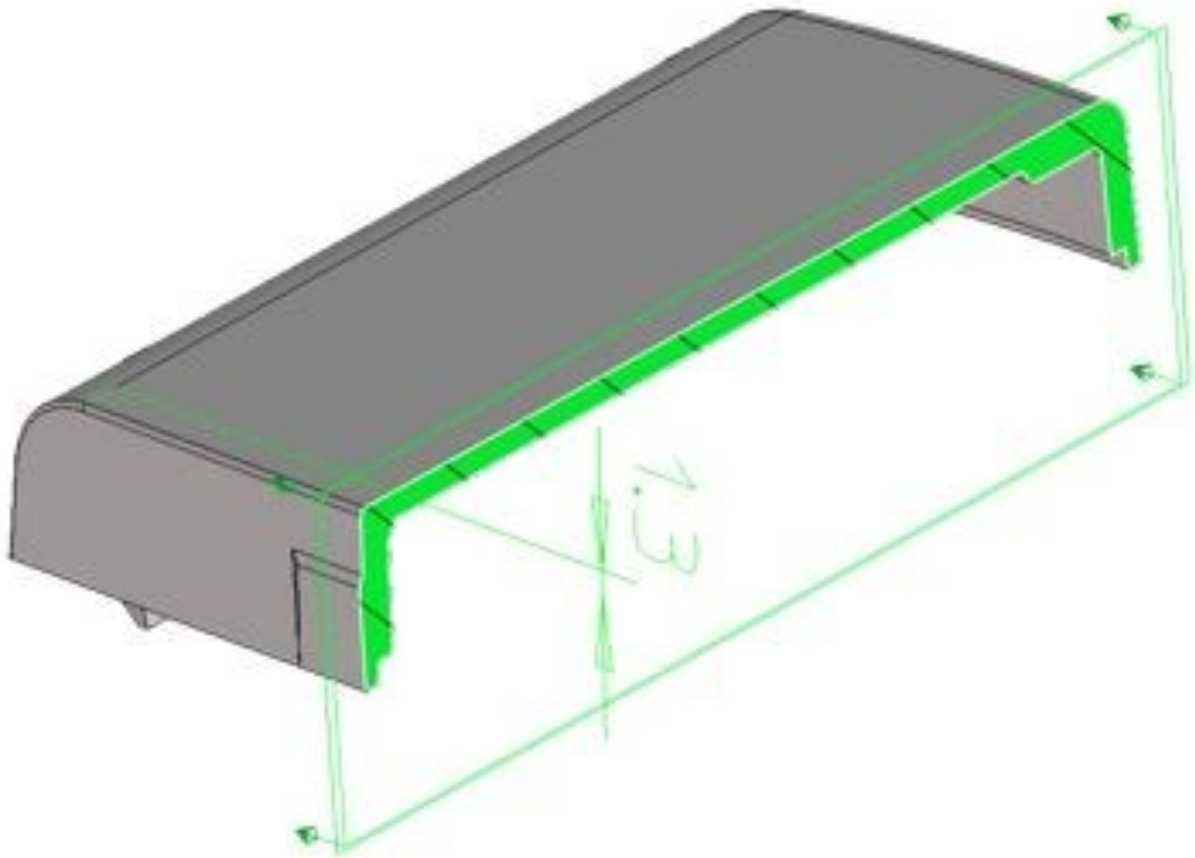
Attachments

- ALT- (E-PLC WINDOW 40 TRANS).jpg
- NEU- (E-PLC WINDOW 40 TRANS).jpg
- CAC190043 190924 Artikelliste.xlsx
- Material_list.csv
- PCNmaster_DE.pdf
- PCNmaster_EN.pdf

Material list

Item	Revision/production batch		Substitute item
	old	new	
2201490 ME PLC 40 CS GY7035	0	1	
2202526 ME-PLC 40 DEV- KIT KMGY	0	1	
8101555 SAMPLE CASE HOUSING	3	4	
2203820 ME PLC 40 CS GY7035 CC100 A	0	1	
2203821 ME PLC 40 CS GY7035 CC100 B	0	1	
2203822 ME PLC 40 CS GY7035 CS100	0	1	
2201491 ME PLC 40 CS TRANS	1	2	
8101555 SAMPLE CASE HOUSING	3	4	
2202721 ME PLC 40 CS BK	0	1	

NEU- (E-PLC WINDOW 40 TRANS)



ALT- (E-PLC WINDOW 40 TRANS)

