

## Product change notification (PCN)

<b>Title / short description</b>	Change to M12 pick-and-place pads
<b>Affected article category</b>	Connectors
<b>Change category</b>	Form and appearance
<b>Change number</b>	CAB190050-01

### Purpose/objective of the change

As part of the ongoing improvement process, the design of the pick-and-place pads for the listed reflow items is being changed. By standardizing all the pads, we will thus be changing the end-face geometry to a round surface in future.

### Detailed description of the change

The details of this change are illustrated in the attachment. The standardization of all our our pick-and-place pads will not alter the technical performance data of the connectors or contact carriers. This change only applies to the pick-and-place pad itself.

### Identifying characteristics

All modified items can be identified by the incremented production batch.

<b>Start of Production (SOP)</b>	-	<b>Last Time Delivery (LTD)</b>	-
<b>Effective date (EOP)</b>	2021-06-01	<b>End of Service (EOSR)</b>	-
<b>End of Sales (EOS)</b>	-		

### Short-term change (< 6 months) or discontinuation (< 12 months), due to:

- |   |   |  |
|---|---|--|
| <input type="checkbox"/> Software / Firmware Bugfix | <input type="checkbox"/> Short-term delivery stop by supplier       | <input type="checkbox"/> Short-term recall by supplier |
| <input type="checkbox"/> Force majeure              | <input type="checkbox"/> Product improvement with customer benefits |  |
| <input type="checkbox"/> Others                     |   |  |

### Attachments

- CAB190050\_pictures\_PCN.pdf
- Material\_list.csv
- PCN-CAB190050-01 Änderung der M12 Pick & Place-Pads\_DE
- PCN-CAB190050-01 Change to M12 pick-and-place pads\_EN

## Material list

Item	Article Type	Hardware old	Firmware new	Item	Substitute item Type
1013554	SACC-CI-M12MS- 5P-SH TOR 32 WO	2	3		
1013560	SACC-CI-M12FS-5P-SH TOR 32 WO	2	3		
1033706	SACC-CIP-M12FS-8P SMD T PD	1	2		
1049772	SACC-CI-M12FSD-4CON-SH TOR 44A	0	1		
1057260	SACC-CI-M12FSD-4CON-SHTOR3250E	2	3		
1057261	SACC-CI-M12FS-8CON-TOR 32 50E	2	3		
1057262	SACC-CI-M12MS- 8CON-TOR 32 50E	2	3		
1057264	SACC-CI-M12FS-5CON TOR 32 50E	2	3		
1064572	PAD-M12 MALE C02	0	1		
1066970	SACC-CIP-M12FS-4P SMD T PD	1	2		
1069566	SACC-CI-M12FSY-8P SMD SH R32	0	1		
1070467	SACC-CIP-M12FS-5P SMD SH R32PD	1	2		
1071198	SACC-CI-M12FSL-4P-L180 THR SI	0	1		
1081252	SACC-CI-M12FSX-8P SMD SH R32PD	0	1		
1089388	SACC-CI-M12FS-8P-L180-THR SHPD	0	1		
1089392	SACC-CI-M12MS-8P-L180-THR SHPD	0	1		
1157452	SACC-CIP-M12FS-5P SMD R32 PD	0	1		
1195616	SACC-CI-M12FSD-4CON-THR-TOR32	1	2		
1200797	SACC-CI-M12FSX-8P SMD T	0	1		
1402528	SACC-CI-M12MS-5P-L180 THP	0	1		
1405269	SACC-M12-THR-SET	2	3		
1409149	SACC-CI-M12MS-4CON-L180THRSHPD	1	2		
1409151	SACC-CI-M12MS-5CON-L180THRSHPD	1	2		
1409152	SACC-CI-M12MSB-5CON-L180-THRPD	1	2		
1409258	SACC-CI-M12MS-5CON-TOR32 WG	2	3		
1411924	SACC-CI-M12MS-4P SMD T	1	2		
1411925	SACC-CI-M12MSD-4P SMD T	1	2		
1411926	SACC-CI-M12MS-5P SMD T	1	2		
1411927	SACC-CI-M12MSB-5P SMD T	1	2		
1411928	SACC-CI-M12MS-8P SMD T	1	2		
1411929	SACC-CI-M12MS-12P SMD T	0	1		
1411930	SACC-CI-M12MS-17P SMD T	0	1		
1411931	SACC-CI-M12MST-4P SMD T	1	2		
1411941	SACC-CIP-M12MS-4P SMD T	1	2		
1411942	SACC-CIP-M12MSD-4P SMD T	1	2		

Item	Article Type	Hardware / Firmware		Item	Substitute item Type
		old	new		
1411943	SACC-CIP-M12MS-5P SMD T	1	2		
1411944	SACC-CIP-M12MSB-5P SMD T	1	2		
1411945	SACC-CIP-M12MS-8P SMD T	1	2		
1411946	SACC-CIP-M12MS-12P SMD T	0	1		
1411947	SACC-CIP-M12MS-17P SMD T	0	1		
1411948	SACC-CIP-M12MST-4P SMD T	1	2		
1411955	SACC-CIP-M12MS-4P SMD SH T	1	2		
1411956	SACC-CIP-M12MSD-4P SMD SH T	1	2		
1411957	SACC-CIP-M12MS-5P SMD SH T	1	2		
1411958	SACC-CIP-M12MSB-5P SMD SH T	1	2		
1411959	SACC-CIP-M12MS-8P SMD SH T	1	2		
1411960	SACC-CIP-M12MS-12P SMD SH T	0	1		
1411961	SACC-CIP-M12MS-17P SMD SH T	0	1		
1411962	SACC-CIP-M12MST-4P SMD SH T	1	2		
1411964	SACC-CI-M12FSX-8P SMD SH T	0	1		
1411965	SACC-CI-M12FSY-8P SMD SH T	0	1		
1411982	SACC-CI-M12MS-4P SMD R32	1	2		
1411983	SACC-CI-M12MSD-4P SMD R32	1	2		
1411984	SACC-CI-M12MS-5P SMD R32	1	2		
1411985	SACC-CI-M12MSB-5P SMD R32	1	2		
1411986	SACC-CI-M12MS-8P SMD R32	1	2		
1411987	SACC-CI-M12MS-12P SMD R32	0	1		
1411988	SACC-CI-M12MS-17P SMD R32	0	1		
1411989	SACC-CI-M12MST-4P SMD R32	1	2		
1411996	SACC-CIP-M12MS-4P SMD R32	1	2		
1411997	SACC-CIP-M12MSD-4P SMD R32	1	2		
1411998	SACC-CIP-M12MS-5P SMD R32	1	2		
1411999	SACC-CIP-M12MSB-5P SMD R32	1	2		
1412000	SACC-CIP-M12MS-8P SMD R32	1	2		
1412001	SACC-CIP-M12MS-12P SMD R32	0	1		
1412002	SACC-CIP-M12MS-17P SMD R32	0	1		
1412003	SACC-CIP-M12MST-4P SMD R32	1	2		
1412010	SACC-CIP-M12MS-4P SMD SH R32	1	2		
1412011	SACC-CIP-M12MSD-4P SMD SH R32	1	2		
1412012	SACC-CIP-M12MS-5P SMD SH R32	1	2		
1412013	SACC-CIP-M12MSB-5P SMD SH R32	1	2		
1412014	SACC-CIP-M12MS-8P SMD SH R32	1	2		
1412015	SACC-CIP-M12MS-12P SMD SH R32	0	1		
1412016	SACC-CIP-M12MS-17P SMD SH R32	0	1		

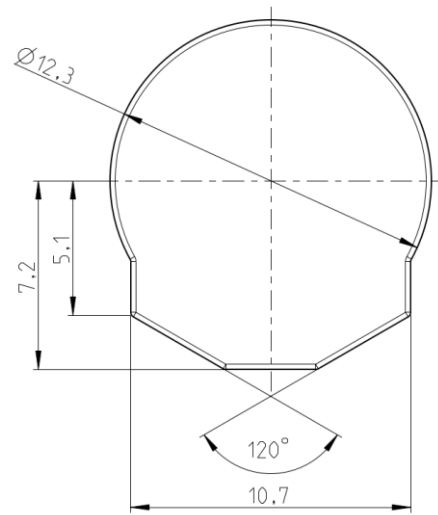
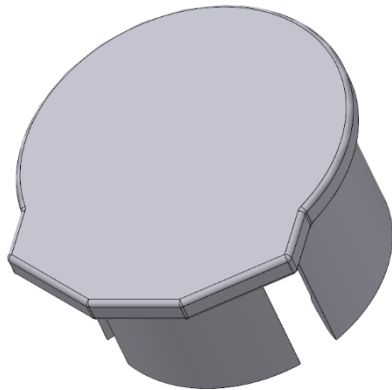
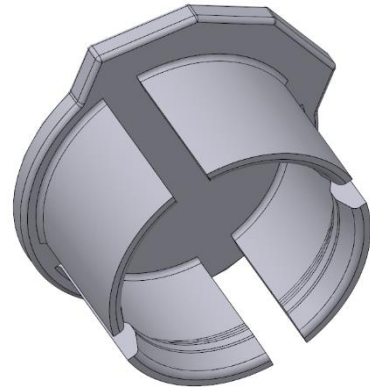
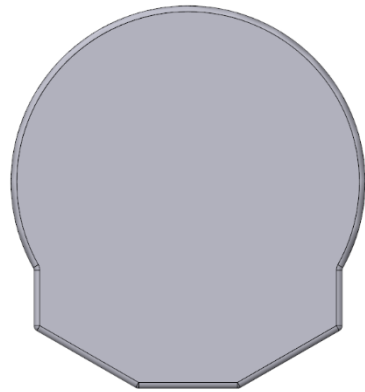
Item	Article Type	Hardware / Firmware		Item	Substitute item Type
		old	new		
1412017	SACC-CIP-M12MST-4P SMD SH R32	1	2		
1413445	SACC-CI-M12FSY-8CON-L180 TOR32	0	1		
1413446	SACC-CI-M12FSX-8CON-L180 TOR32	0	1		
1413549	SACC-CIM12MS4PL180THRSHSAMPLE	1	2		
1413550	SACC-CIM12MSD4PL180THRSHSAMPLE	1	2		
1413551	SACC-CIM12MS5PL180THRSHSAMPLE	1	2		
1413552	SACC-CIM12MSB5PL180THRSHSAMPLE	1	2		
1413553	SACC-CIM12MS8PL180THRSHSAMPLE	1	2		
1413554	SACC-CIM12MS12PL180THRSHSAMPLE	1	2		
1413555	SACC-CIM12MS17PL180THRSHSAMPLE	1	2		
1413561	SACC-CIM12FS8PL180THRSHSAMPLE	1	2		
1413562	SACC-CIM12FS12PL180THRSHSAMPLE	1	2		
1413563	SACC-CIM12FS17PL180THRSHSAMPLE	1	2		
1416091	SACC-CI-M12MS-4CON-SH TOR32SIE	2	3		
1416097	SACC-CI-M12MSB-5CON-SHTOR32SIE	2	3		
1416098	SACC-CI-M12FSD-4CON-SHTOR32SIE	2	3		
1416099	SACC-CI-M12FS-5CON-SH TOR32SIE	2	3		
1417229	SACC-CI-M12FS-17-L180/THRSH/SA	1	2		
1418339	SACC-CI-M12MST-4CON-L180 TOR	0	1		
1418340	SACC-CI-M12FST-4CON-L180 TOR	0	1		
1418341	SACC-CI-M12MST-4CON-L180 TOR SH	2	3		
1418342	SACC-CI-M12FST-4CON-L180 TOR SH	2	3		
1418637	SACC-CI-M12FSX-8P SMD SH-SP	0	1		
1418638	SACC-CI-M12FSY-8P SMD SH-SP	0	1		
1418642	SACC-CIP-M12MS-4P SMD SH-SP	1	2		
1418643	SACC-CIP-M12MS-4P SMD-SP	1	2		
1418644	SACC-CIP-M12MST-4P SMD SH-SP	1	2		
1418645	SACC-CIP-M12MS-5P SMD SH-SP	1	2		
1418647	SACC-CIP-M12MS-5P SMD-SP	1	2		
1418648	SACC-CIP-M12MSB-5P SMD SH-SP	1	2		

Item	Article Type	Hardware / Firmware		Item	Substitute item Type
		old	new		
1418649	SACC-CIP-M12MS-8P SMD SH-SP	1	2		
1418650	SACC-CIP-M12MS-12P SMD SH-SP	0	1		
1418651	SACC-CIP-M12MS-17P SMD SH-SP	0	1		
1420817	SACC-CI-M12MSL-4FE-L180 THR T	0	1		
1420818	SACC-CI-M12FSL-4FE-L180 THR T	0	1		
1420819	SACC-CI-M12MSK-4PE-L180 THR T	0	1		
1420821	SACC-CI-M12FSK-4PE-L180 THR T	0	1		
1420822	SACC-CI-M12MSM-5PE-L180 THR T	0	1		
1420823	SACC-CI-M12FSM-5PE-L180 THR T	0	1		
1420828	SACC-CI-M12MSL-4FE-L180 THR R	0	1		
1420829	SACC-CI-M12FSL-4FE-L180 THR R	0	1		
1420830	SACC-CI-M12MSK-4PE-L180 THR R	0	1		
1420831	SACC-CI-M12FSK-4PE-L180 THR R	0	1		
1420832	SACC-CI-M12MSM-5PE-L180 THR R	0	1		
1420833	SACC-CI-M12FSM-5PE-L180 THR R	0	1		
1421314	SACC-CI-M12MSL-4FE-L180 THR SH T	0	1		
1421315	SACC-CI-M12FSL-4FE-L180 THR SH T	0	1		
1421317	SACC-CI-M12MSL-4FE-L180 THR SH R	0	1		
1421318	SACC-CI-M12FSL-4FE-L180 THR SH R	0	1		
1421712	SACC-CI-M12FS-8CON-TOR32 WG	2	3		
1421713	SACC-CI-M12FS-5CON-TOR32 WG	2	3		
1423413	SACCCIM12MSL4FEL180THRSAMPLE	0	1		
1423414	SACCCIM12FSL4FEL180THRSAMPLE	0	1		
1423415	SACC-CIM12MSK4PEL180THRSAMPLE	0	1		
1423426	SACC-CIM12FSK4PEL180THRSAMPLE	0	1		
1423427	SACC-CIM12MSM5PEL180THRSAMPLE	0	1		
1423428	SACC-CIM12FSM5PEL180THRSAMPLE	0	1		
1425594	SACC-CI-M12MSL-4FE-L180 THR GR T	0	1		
1425595	SACC-CI-M12FSL-4FE-L180 THR GR T	0	1		
1425597	SACC-CI-M12MSL-4FE-L180 THR SH GR T	0	1		
1425598	SACC-CI-M12FSL-4FE-L180 THR SH GR T	0	1		

Item	Article Type	Hardware / Firmware		Item	Substitute item Type
		old	new		
1425599	SACC-CI-M12MSL-4FE-L180 THR GR R	0	1		
1425600	SACC-CI-M12FSL-4FE-L180 THR GR R	0	1		
1425601	SACC-CI-M12MSL-4FE-L180 THR SH GR R	0	1		
1425602	SACC-CI-M12FSL-4FE-L180 THR SH GR R	0	1		
1425603	SACC-CI-M12MSL-4CON-L180 THR T	0	1		
1425604	SACC-CI-M12FSL-4CON-L180 THR T	0	1		
1425605	SACC-CI-M12MSL-4CON-L180 THR R	0	1		
1425606	SACC-CI-M12FSL-4CON-L180 THR R	0	1		
1425639	SACC-CI-M12MSL-4CON-L180 THR SH T	0	1		
1425640	SACC-CI-M12FSL-4CON-L180 THR SH T	0	1		
1425641	SACC-CI-M12MSL-4CON-L180 THR SH R	0	1		
1425642	SACC-CI-M12FSL-4CON-L180 THR SH R	0	1		
1441970	SACC-CI-M12FS-12CON-L180 THR	0	1		
1441985	SACC-CI-M12MS-12CON-L180 THR	0	1		
1441998	SACC-CI-M12FS-17CON-L180 THR	0	1		
1442007	SACC-CI-M12MS-17CON-L180 THR	0	1		
1442052	SACC-CI-M12FS-12CON-L180 THRSH	1	2		
1442065	SACC-CI-M12MS-12CON-L180 THRSH	1	2		
1442078	SACC-CI-M12FS-17CON-L180 THRSH	1	2		
1442081	SACC-CI-M12MS-17CON-L180 THRSH	1	2		
1457490	SACC-CI-M12MS- 4CON-TOR 32	2	3		
1457500	SACC-CI-M12MS- 4CON-SH TOR 32	2	3		
1457513	SACC-CI-M12MSD- 4CON-SH TOR 32	2	3		
1457526	SACC-CI-M12MS- 5CON-TOR 32	2	3		
1457539	SACC-CI-M12MS- 5CON-SH TOR 32	2	3		
1457542	SACC-CI-M12MSB- 5CON-SH TOR 32	2	3		
1457555	SACC-CI-M12MS- 8CON-TOR 32	2	3		
1457568	SACC-CI-M12MS- 8CON-SH TOR 32	2	3		
1457571	SACC-CI-M12MS- 12CON-TOR 32	2	3		
1457584	SACC-CI-M12MS-12CON-SH TOR 32	2	3		
1457597	SACC-CI-M12MS-17CON- TOR 32	2	3		
1457607	SACC-CI-M12MS-17CON-SH TOR 32	2	3		
1457610	SACC-CI-M12FS-4CON-TOR 32	2	3		

Item	Article Type	Hardware / Firmware		Item	Substitute item Type
		old	new		
1457636	SACC-CI-M12FSD-4CON-SH TOR 32	2	3		
1457649	SACC-CI-M12FS-5CON TOR 32	2	3		
1457652	SACC-CI-M12FS-5CON-SH TOR 32	2	3		
1457665	SACC-CI-M12FSB-5CON-SH TOR 32	2	3		
1457678	SACC-CI-M12FS-8CON- TOR 32	2	3		
1457681	SACC-CI-M12FS-8CON-SH TOR 32	2	3		
1457694	SACC-CI-M12FS-12CON-TOR 32	2	3		
1457704	SACC-CI-M12FS-12CON-SH TOR 32	2	3		
1457717	SACC-CI-M12FS-17CON-TOR 32	2	3		
1457720	SACC-CI-M12FS-17CON-SH TOR 32	2	3		
1409144	SACC-CI-M12FS-4CON-L180SHTRPD	1	2		
1409145	SACC-CI-M12FS-5CON-L180THRSHPD	1	2		
1409146	SACC-CI-M12FSB-5CON-L180-THRPD	1	2		
1413556	SACC-CIM12FS4PL180SHTHRSAMPLE	1	2		
1413557	SACC-CIM12FSD4PL180THRSAMPLE	1	2		
1413558	SACC-CIM12FS5PL180THRSAMPLE	1	2		
1413559	SACC-CIM12FSB5PL180THRSAMPLE	1	2		
1457623	SACC-CI-M12FS-4CON-SH TOR 32	2	3		
8101550	SAMPLE CASE PL CIRCULAR M12	0	1		

### Current Design



### New Design

