

Sandall Road
Wisbech
PE13 2PS UK

Tel: +44 (0)1945 47 47 47
Fax: +44 (0)1945 47 60 14

4th March 2016

Dear Customer,

Anglia part 621024

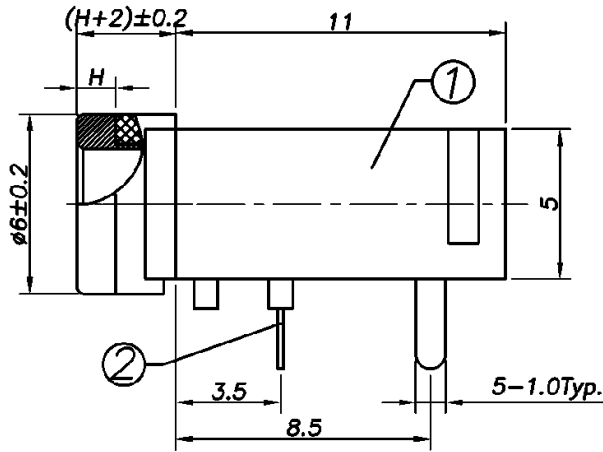
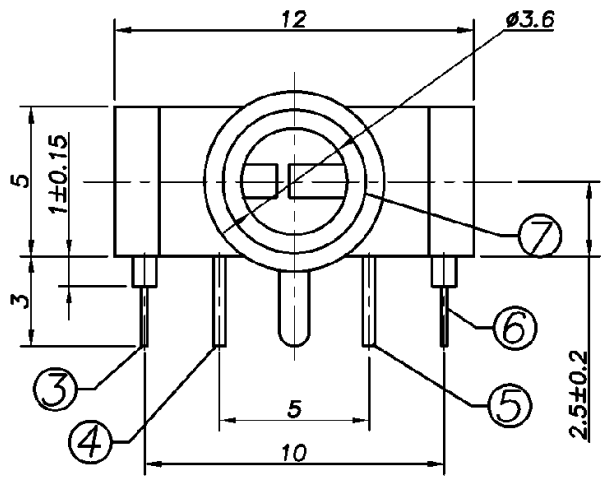
We have been advised by the manufacturer of the above part number that the mold tool for this device has reached the end of it's useful life, the factory has invested in new tooling and as a result of this the part now has some minor dimensional changes, these changes can be reviewed on the accompanying drawings in more detail.

Anglia operates a strict FIFO system in our Distribution Centre therefore it may take some time for this change to filter through to customer deliveries of the above part number(s).

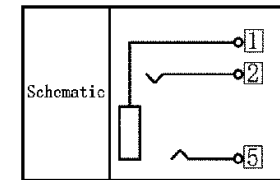
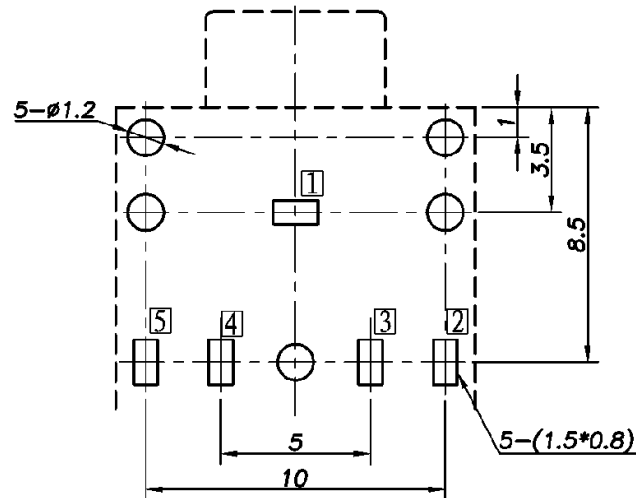
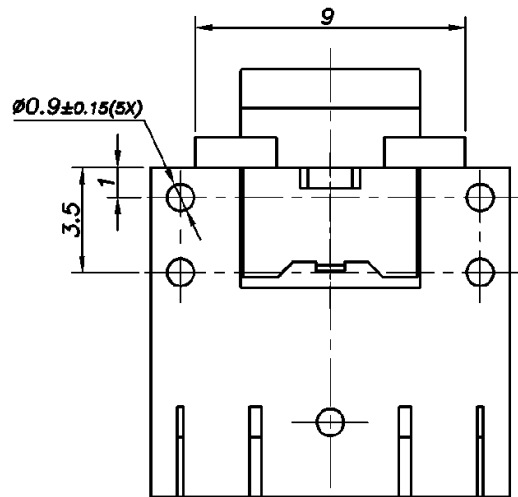
Please make the relevant person(s) in your organisation aware of this change.

Yours Sincerely
Anglia

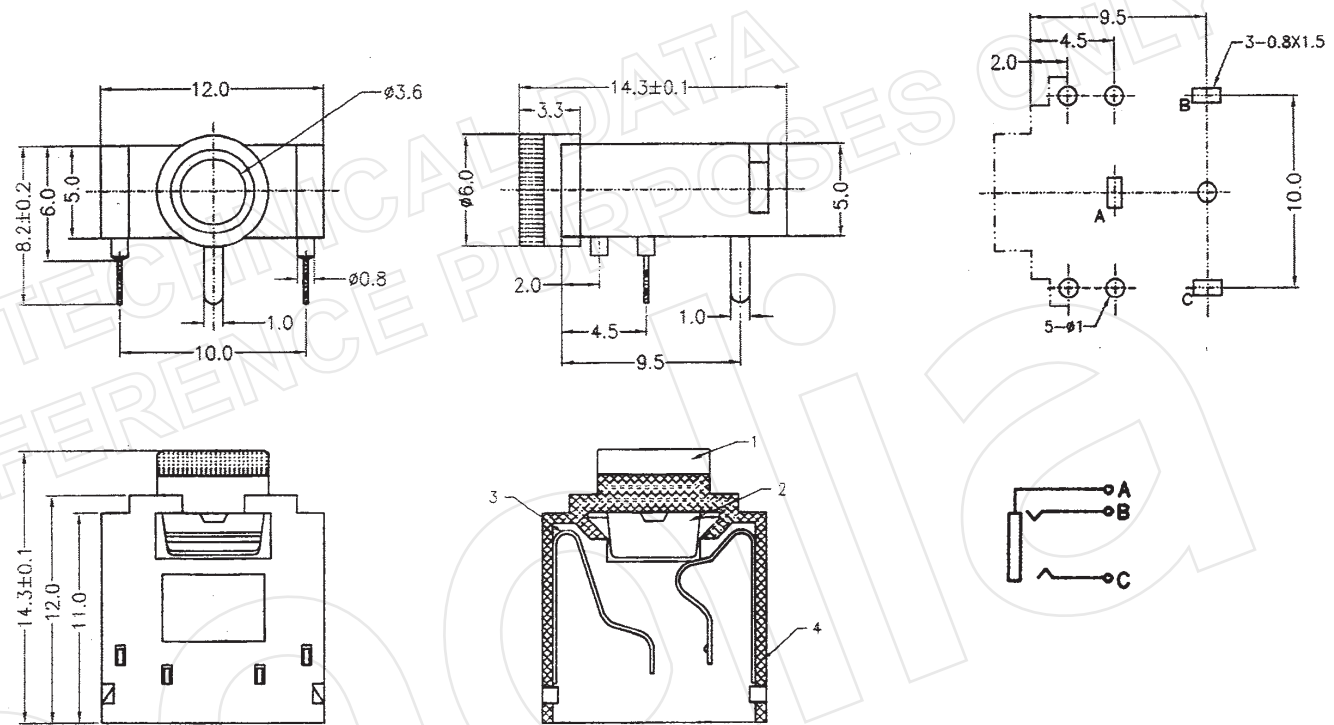
OLD VERSION



Part:
621024



NEW VERSION




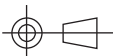
Technical requirement :

1. This product should meet EU RoHS related requirement.
2. The surface of plastic part should be without any crackle such as burr,lack,and so on phenomenon.
3. The surface of metal part should be without any defect such as scour,nick,oxidation and plating problem.
4. The electronic performance should be the same as spec.
5. The un-specified tolerance is : <math> < 6 \pm 0.2 </math>
$6 \sim 20 \pm 0.3$
$> 20 \pm 0.4$

Issue	Revision Details

Product(s) MUST comply with the requirements of the RoHS Directive 2002/95/EC.

all dimensions in mm

 Sandall Road, Wisbech PE13 2PS, U.K. www.anglia.com info@anglia.com	Title: 3.5mm PHONE JACK	Issue: 1	Issue Date: 1/2/16	Prev Issue:
	Part No. : 621024	Scale: NTS		Angle: 
	Manufacturer: N/A	Tol:	Page: 1 of 1	