

Product Change Notification

INDUCTIVE COMPONENTS



October, 2015

Bourns® Model SRN1060 Semi-shielded Power Inductor Series ***Change to the Packaging Specification, Minimum Order Quantity*** ***and Multiple Ordering Quantities***

The packaging specification of the tape and reel carrier for the Bourns® [Model SRN1060](#) Semi-shielded Power Inductor Series has been redesigned to include embossment on four sides and the bottom of the carrier tape. The new embossed design provides better shock absorption than the previous design without embossment. The embossment helps protect the inductor during shipping and handling. Figures 1 and 2 highlight these changes on the following page.

As the result of the tape carrier redesign, the component package per reel quantity is reduced from 650 pieces to 600 pieces. The Minimum Ordering Quantities (MOQ) and the Multiple Ordering Quantities (Mult) of the series have also changed from 650 pieces to 600 pieces.

The changes do not affect the form, fit or function of the inductor. The only changes are to the packaging and the ordering quantities.

Affected Part Numbers:

Part Number	Current			Revised		
	Pieces/Reel	MOQ	Mult	Pieces/Reel	MOQ	Mult
SRN1060-100M	650	650	650	600	600	600
SRN1060-180M	650	650	650	600	600	600
SRN1060-220M	650	650	650	600	600	600
SRN1060-330M	650	650	650	600	600	600
SRN1060-470M	650	650	650	600	600	600
SRN1060-101M	650	650	650	600	600	600
SRN1060-151M	650	650	650	600	600	600
SRN1060-221M	650	650	650	600	600	600
SRN1060-331M	650	650	650	600	600	600
SRN1060-471M	650	650	650	600	600	600

Implementation dates are as follows:

Date that manufacturing of existing packaging method ceased: September 20, 2015

Bourns phased in this new packaging method: September 21, 2015

First date code using above changes: 1539

If you have any questions or need additional information, please feel free to contact [Customer Service/Inside Sales](#).

Packaging Specification of the Tape & Reel Carrier Change:

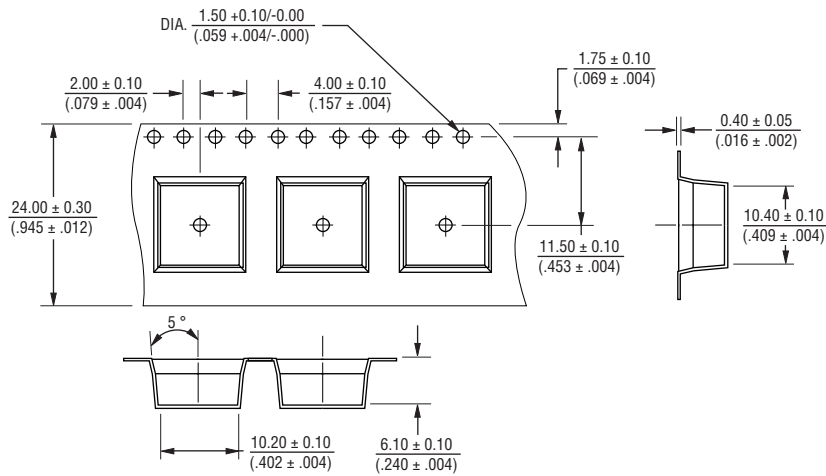


Figure 1: Current Carrier Specification

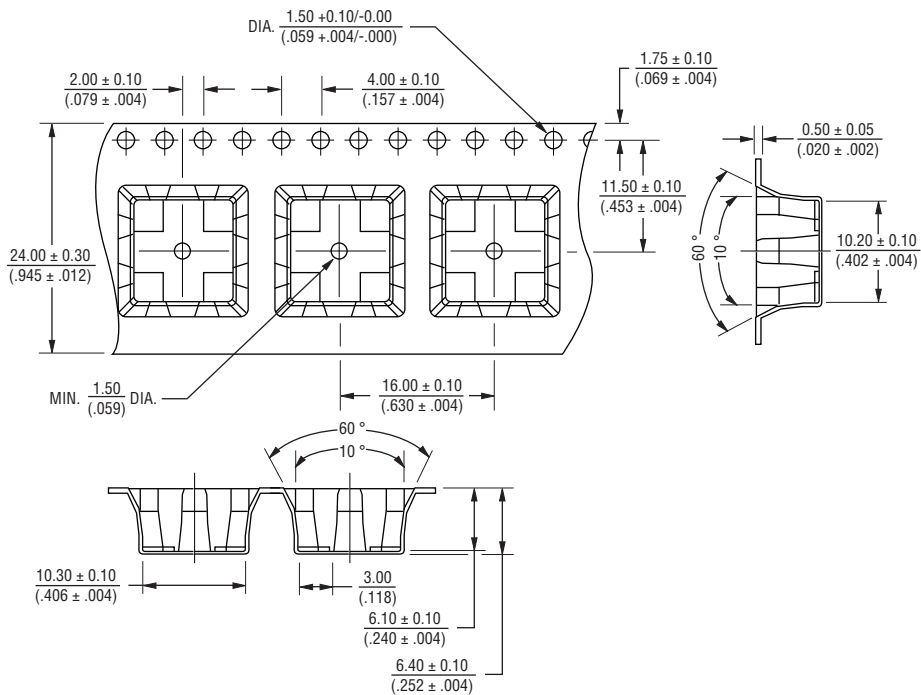


Figure 2: Modified Carrier Specification