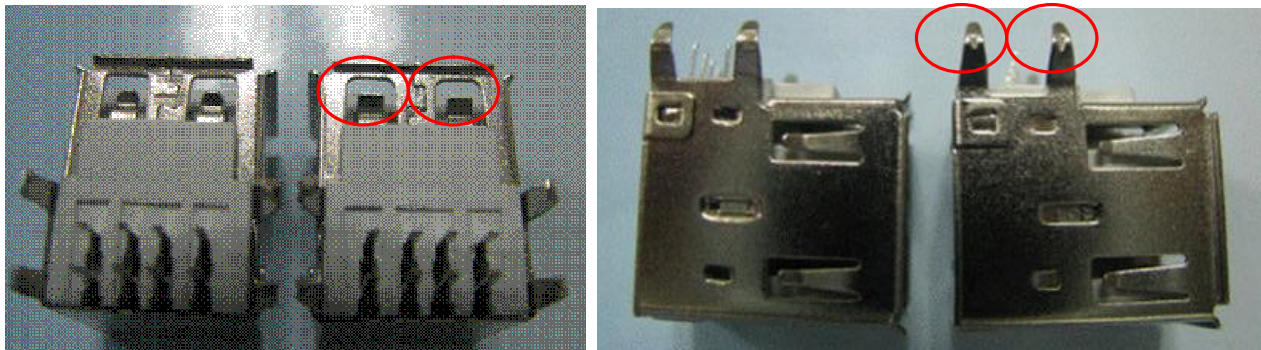


03 June 2011

Dear Customer

We have been advised by Taicom that the tooling for the dual USB type A, part number TSB4A1R, has been upgraded to streamline the manufacturing process and improve the functionality of the device.

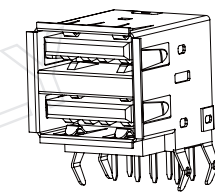
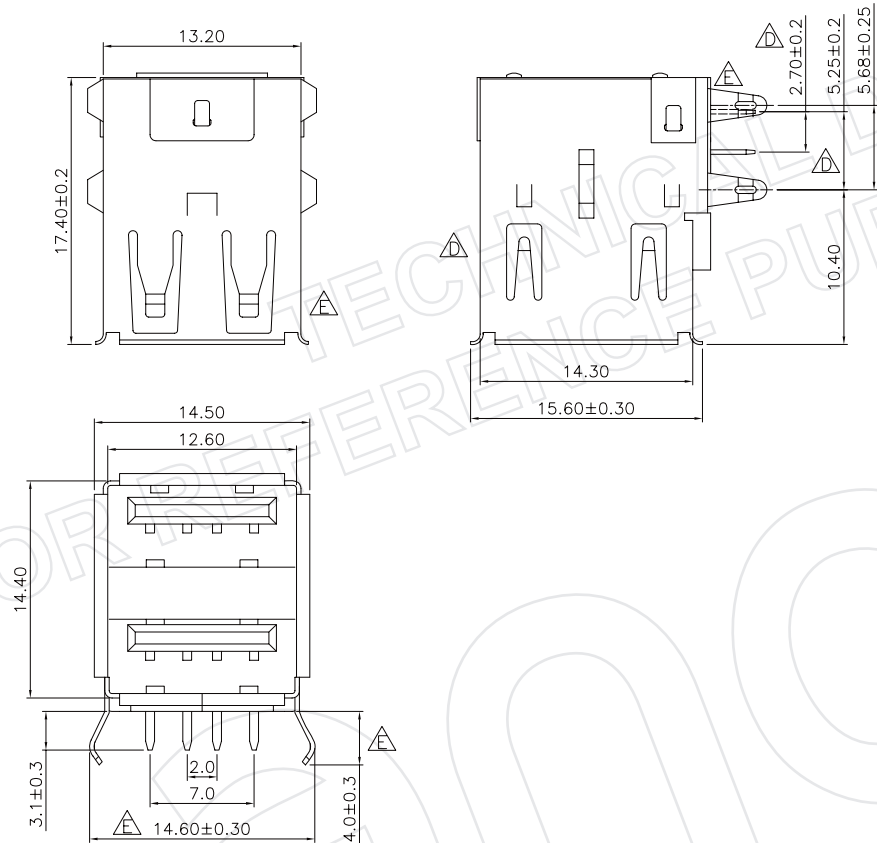
The changes are detailed in the below photo's. Picture one shows the latch is now more substantial to improve connector mating force, picture 2 shows the retaining pin now has a kink to improve retention of the device into the PCB during the soldering process. A full data sheet is shown on page 2 of this document to verify the changes in more detail.



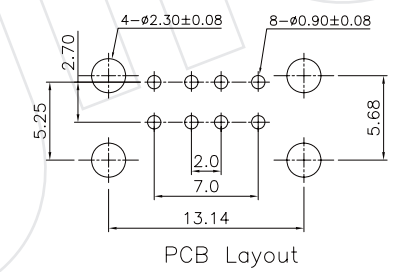
There is no change to form, fit or function of this product.

Anglia operates a strict FIFO system in our warehouse facility therefore it may take some time for this change to filter through to customer deliveries of the above part numbers. Please make the relevant person(s) in your organisation aware of this change.

Yours Sincerely
Anglia



Specifications:
 Current Rating:1.0A AC/DC
 Voltage Rating:30V AC/DC
 Contact Resistance:20m ohm. Max.
 Insulation Resistance:1,000M ohm. min.
 Withstanding Voltage:750V AC For One Minute
 Operating Temperature Range:-40°C ~ +105°C
 Material and Finish
 Insulator:PBT (UL94V-0)
 Contact:Phosphor Bronze
 Plating:Gold Plated on Contact Area,
 Tin Plated on Solder Tail.
 Shell:Brass,Nickel Plated



Issue	Revision Details

Product(s) comply with the requirements of the RoHS Directive 2002/95/EC.

all dimensions in mm

<p>Sandall Road, Wisbech PE13 2PS, U.K. www.anglia.com info@anglia.com</p>	Title: USB CONNECTOR A TYPE DUAL	Issue: 1	Issue Date: 25/5/11	Prev Issue:
	Part No.: TSB4A1R	Scale: NTS		Angle:
	Manufacturer: TAICOM	Tol. (unless stated):	1 Dec Place ±0.20 2 Dec Places ±0.15	