

1 Products affected

Product hierarchy no. *				Part no.	SBU	Type / Description
SBU	PG	PUG	Type			
01	001	025	0000000205	See list below	Chipfuse	USF 1206
01	001	025	0000000206		Chipfuse	USI 1206
01	001	025	0000000207		Chipfuse	UST 1206
01	001	025	0000000210		Chipfuse	USF 0603
01	001	025	0000000221		Chipfuse	USFF 1206
01	001	025	0000000222		Chipfuse	USN 1206

*SBU (2-digit) / PG (3-digit) / PUG (3-digit) / Type (10-digit)



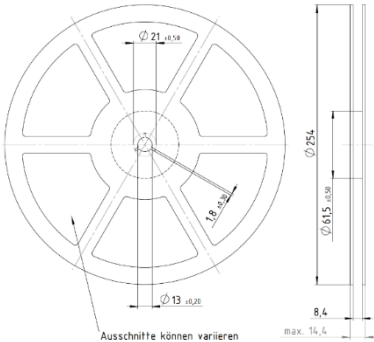
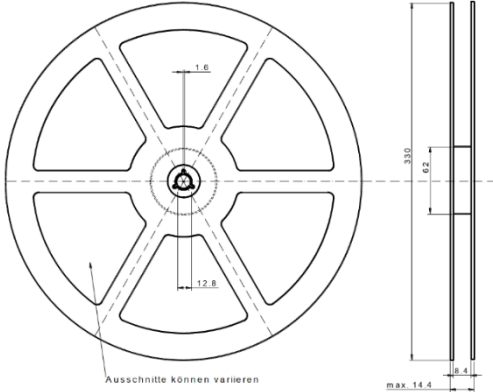
List of part numbers affected				
3413.0112.24	3413.0113.24	3413.0114.24	3413.0115.24	3413.0116.24
3413.0117.24	3413.0119.24	3413.0120.24	3413.0121.24	3413.0123.24
3412.0113.24	3412.0114.24	3412.0115.24	3412.0117.24	3412.0119.24
3412.0120.24	3412.0121.24	3412.0122.24	3412.0123.24	3412.0124.24
3413.0213.24	3413.0214.24	3413.0215.24	3413.0216.24	3413.0217.24
3413.0218.24	3413.0219.24	3413.0220.24	3413.0221.24	3413.0222.24
3413.0223.24	3413.0224.24	3413.0326.24	3413.0327.24	3413.0328.24
3413.0329.24	3413.0330.24	3413.0331.24	3413.0332.24	3413.0512.24
3413.0002.24	3413.0006.24	3413.0008.24	3413.0009.24	3413.0010.24

2 Type of change

- Change of packaging

3 Detailed description of change

The IEC 60286-3 Typ 2a reel diameter of the 5000 pcs packaging units (.24) changes from 254 mm to 330 mm.

Old reel appearance	New reel appearance
	
Old reel dimension	New reel dimension
	

Product Change Notification					PCN Chipfuse Packaging		
owner	creation date	release date	released by	change order no	rev	page	D10-058-075
repasivi	20.05.2021	29.06.2021	haeckima	2022251	A	1 of 2	

4 Reason of change

By reducing our number of reels used, we streamline our logistic process towards increased efficiency.

5 Release date

The change takes effect in ww 01/2022 (Date code 2201 or higher on label).

6 Impact of change and recommended action

Form	No	
Fit	No	
Function	No	
Manufacturing	No	
Label	No	
Packaging	Yes	Check whether your assembly line can work with 330 mm reels.

7 Reference Documents / Attachments

Kind of document	Remarks

Product Change Notification					PCN Chipfuse Packaging		
owner	creation date	release date	released by	change order no	rev	page	D10-058-075
repasivi	20.05.2021	29.06.2021	haeckima	2022251	A	2 of 2	