

knitter-switch

Product- Change Notice

Product affected: TSS 4 RA

Valid from: immediately

Details:

The component was revised.

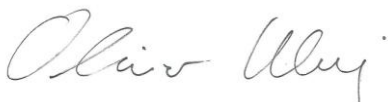
Dimensions, appearance, PCB-layout and T/R-packing were not changed.

Operating temperature range and solder heat withstand were improved.

At the same time, an error in the data-sheet (travel) was amended.

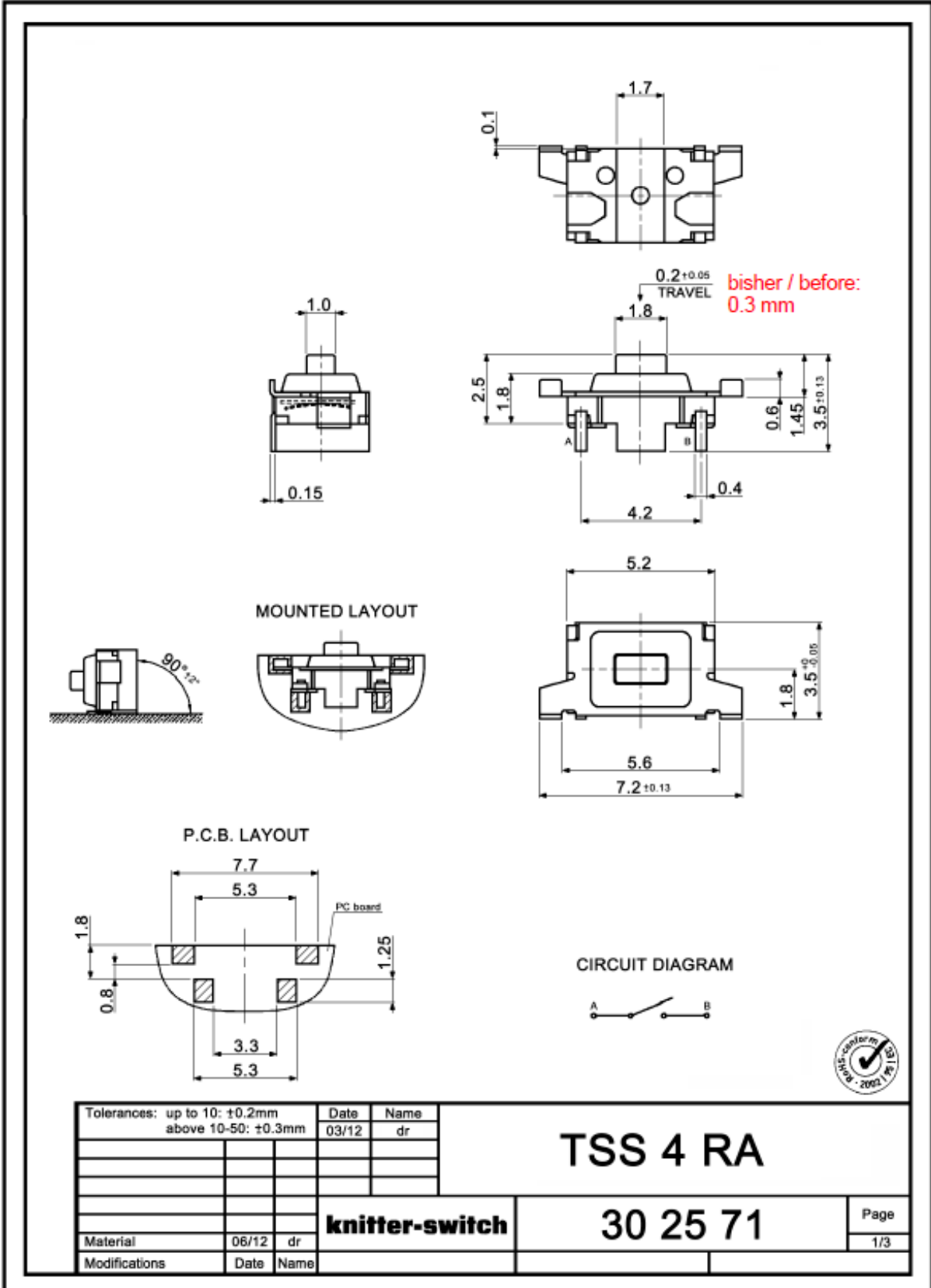
See following 2 pages for modifications.

knitter-switch, June 2012



Oliver Kluj
Technical Director

knitter-switch



Tolerances: up to 10: ±0.2mm above 10-50: ±0.3mm		Date	Name
		03/12	dr
Material	06/12	dr	
Modifications	Date	Name	

TSS 4 RA

30 25 71

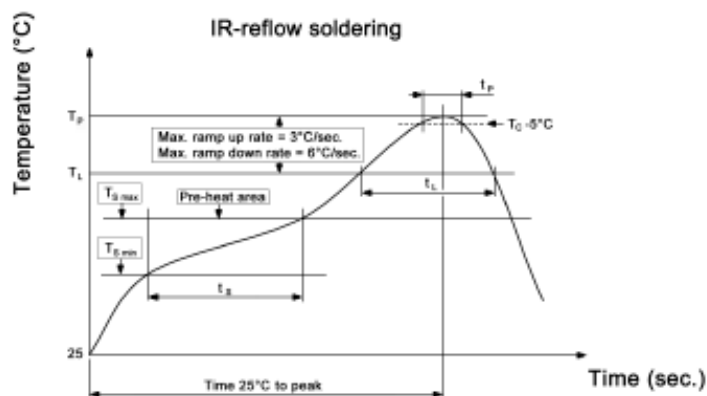
Page
1/3

knitter-switch

Specifications:

Contact rating:	max.: 50mA, 12V DC min.: 0.5mA, 1V DC
Contact resistance:	100mOhm max.
Insulation resistance:	2000MOhm min. at 100V DC
Dielectric strength:	250V AC for 1 minute
Operating temperature:	-40°C to +85°C bisher / before: -20/+70 °C
Electrical life:	250 000 times (15 times/minute)
Operating force:	2.16 +/-0.59N bisher / before: +/- 0.4 N
Material:	Case / button: PA9T (94HB), black bisher / before: PA Contact plate: stainless steel, silver plated Membrane: polyimide, natural Terminal: phosphor bronze, silver plated Cover: phosphor bronze, tin plated

Soldering conditions:



$T_p = 260^\circ\text{C}$
 $t_p = 10\text{sec. max.}$

$T_l = 217^\circ\text{C}$
 $t_l = 90\text{sec. max.}$

$T_{S\ max} = 200^\circ\text{C}$
 $T_{S\ min} = 150^\circ\text{C}$
 $t_s = 120\text{sec. max.}$



Tolerances: up to 10: $\pm 0.2\text{mm}$ above 10-50: $\pm 0.3\text{mm}$		Date	Name	<h1>TSS 4 RA</h1>
		03/12	dr	
Modifications	Date	Name		

knitter-switch

30 25 71

Page
2/3