



# PRODUCT/PROCESS CHANGE NOTIFICATION

---

PCN MMS-MMY/12/7619  
Dated 07 Dec 2012

---

**M24C01, M24C02, M24C04, 1, 2, 4 Kbit I2C Bus EEPROM  
Industrial grade / SO8N package Redesign and upgrade to  
the CMOSF8H+ process technology**

**Table 1. Change Implementation Schedule**

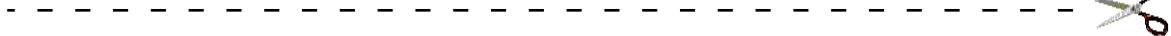
Forecasted implementation date for change	30-Nov-2012
Forecasted availability date of samples for customer	30-Nov-2012
Forecasted date for <b>STMicroelectronics</b> change Qualification Plan results availability	30-Nov-2012
Estimated date of changed product first shipment	28-Feb-2013

**Table 2. Change Identification**

Product Identification (Product Family/Commercial Product)	M24C01 M24C02 M24C04 in SO8N / Industrial grade
Type of change	Waferfab technology change
Reason for change	Line up to state-of-the-art of process
Description of the change	Redesign and upgrade to the new CMOSF8H+ process technology
Change Product Identification	Process Technology identifier "T"
Manufacturing Location(s)	

**Table 3. List of Attachments**

Customer Part numbers list	
Qualification Plan results	



Customer Acknowledgement of Receipt		PCN MMS-MMY/12/7619					
Please sign and return to STMicroelectronics Sales Office		Dated 07 Dec 2012					
<input type="checkbox"/> Qualification Plan Denied <input type="checkbox"/> Qualification Plan Approved  <input type="checkbox"/> Change Denied <input type="checkbox"/> Change Approved	<table border="1" style="width: 100%; border-collapse: collapse;"> <tr><td style="padding: 2px;">Name:</td></tr> <tr><td style="padding: 2px;">Title:</td></tr> <tr><td style="padding: 2px;">Company:</td></tr> <tr><td style="padding: 2px;">Date:</td></tr> <tr><td style="padding: 2px;">Signature:</td></tr> </table>		Name:	Title:	Company:	Date:	Signature:
Name:							
Title:							
Company:							
Date:							
Signature:							
Remark ..... ..... ..... ..... ..... ..... ..... ..... ..... .....							

## DOCUMENT APPROVAL

Name	Function
Leduc, Hubert	Marketing Manager
Rodrigues, Benoit	Product Manager
Malbranche, Jean-Luc	Q.A. Manager



## PRODUCT / PROCESS CHANGE NOTIFICATION

### **M24C01, M24C02, M24C04, 1, 2, 4 Kbit I2C Bus EEPROM Industrial grade / SO8N package Redesign and upgrade to the CMOSF8H+ process technology**

#### **What is the change?**

The **M24C01, M24C02, M24C04**, 1, 2, 4 Kbit serial I<sup>2</sup>C bus EEPROM product families for Industrial grade, currently produced using the CMOSF6SP 36% process technology at ST Ang Mo Kio (Singapore) 6" wafer diffusion plant or at GLOBALFOUNDRIES (Singapore) 8" wafer diffusion plant, have been **redesigned** and will be **upgraded** to the **CMOSF8H+** process technology at **ST Rousset** (France) 8" wafer diffusion plant.

The CMOSF8H+ is closely derived from CMOSF8H (already used for production of densities ranging from 32 Kb to 2 Mb), with a more compact layout, in order to achieve competitive die size.

The CMOSF8H+ is already qualified on the M24C16.

This PCN applies to products assembled in **SO8N package**. Products assembled in other packages (TSSOP8, UFDFPN8) will be affected later and will be subjected to another PCN.

This upgraded version in CMOSF8H+ allows offering:

- **1.7 V / 5.5 V ("F") V<sub>CC</sub>** range

The new M24C01, M24C02 and M24C04 in CMOSF8H+ version are functionally compatible with the current CMOSF6SP 36% version as per datasheet rev. 18 – July 2012, attached.

These new M24C01, M24C02 and M24C04 will be described in specific datasheets:

A common datasheet for both M24C01 and M24C02 (rev. 1), a single datasheet for M24C04 (rev. 1), with following differences versus previous datasheet rev. 18:

- DC characteristic: I<sub>CC1</sub> standby supply current:
  - Max 2 μA at V<sub>CC</sub> = 2.5 V
  - Max 3 μA at V<sub>CC</sub> = 5.5 V
- 
- Absolute maximum rating: V<sub>ESD</sub> electrostatic pulse Human Body model:
  - Max 3000 V

Concurrent to this change, the SO8N (Narrow, 150 mils) assembled on SHD line at ST Shenzhen will use 0.8 mil Copper wire (as introduced in PCN MMS-MMY/11/6929).

#### **Why?**

The strategy of STMicroelectronics Memory Division is to support our customers on a long-term basis. In line with this commitment, the qualification of the M24C01, M24C02 and M24C04 in the new CMOSF8H+ process technology will increase the production capacity throughput and consequently improve the service to our customers.

### When?

The production of the upgraded M24C01, M24C02 and M24C04 with the new CMOSF8H+ will ramp up from December 2012 and shipments can start from March 2013 onward (or earlier upon customer approval).

### How will the change be qualified?

The new version of the M24C01, M24C02 and M24C04 in CMOSF8H+ will be qualified using the standard ST Microelectronics Corporate Procedures for Quality & Reliability. The CMOSF8H+ Process Technology is already qualified on the M24C16.

The intermediate **Qualification Report QRMMY1207** is available and included inside this document.

### What is the impact of the change?

- **Form:** Marking change (see **Device marking** paragraph)
- **Fit:** No change
- **Function:**
  - Change on DC characteristic  $I_{CC1}$  **standby supply current**
  - Change on Absolute maximum rating  $V_{ESD}$  **HBM**

## How can the change be seen?

### - BOX LABEL MARKING

On the BOX LABEL MARKING, the difference is visible inside the **Finished Good Part Number**: the **process technology** identifier is **"T"** for the **upgraded version** in **CMOSF8H+**, this identifier being **"G"** or **"S"** for the current version in CMOSF6SP 36%.

→ Example for M24C02-RMN6TP

STMicroelectronics

Manufactured under patents or patents pending

Country Of Origin: XXXX

Pb-free            2<sup>nd</sup> Level Interconnect

MSL: 1            NOT MOISTURE SENSITIVE

PBT: 260 °C    Category: e4            ECOPACK2/ROHS

**TYPE:    M24C02-RMN6TP**  
**M24C02-RMN6TPT** X X

Total Qty:    **2500**

Process Technology:  
"T" for **CMOSF8H+**  
"G" or "S" for CMOSF6SP 36%

Mask revision and/or Wafer diffusion plant

Assembly and Test & Finishing plants


Trace Codes    PPYWWLLL    WX    TF

**Marking            24C02RP**

Bulk ID            X0X00XXX0000



Please provide the bulk ID for any inquiry

## How can the change be seen?

### - DEVICE MARKING

For the **SO8N** package, the difference is visible inside the trace code (PYWWT) where the last digit "T" for **process technology** identifier is "**T**" for the **upgraded version** in **CMOSF8H+**, this identifier being "F" or "G" or "Q" or "S" or "\$" for current versions.

Upgraded CMOSF8H+ (ST Rousset)	Current CMOSF6SP 36% (ST Ang Mo Kio)	Current CMOSF6SP 36% (GLOBALFOUNDRIES)
--------------------------------------	--	--

**SO8N**  
Example:  
M24C02-RMN6TP





M24C01, M24C02, M24C04, 1, 2, 4 Kbit I<sup>2</sup>C Bus EEPROM  
Industrial grade / SO8N package  
Redesign and upgrade to the CMOSF8H+ process technology

**Appendix A- Product Change Information**

<b>Product family / Commercial products:</b>	M24C01 M24C02 M24C04 products family assembled in SO8N package / Industrial grade
<b>Customer(s):</b>	All
<b>Type of change:</b>	Wafer fab process technology change
<b>Reason for the change:</b>	Line up to state-of-the-art of process
<b>Description of the change:</b>	Redesign and upgrade to the new CMOSF8H+ Process technology.
<b>Forecast date of the change: (Notification to customer)</b>	Week 48 / 2012
<b>Forecast date of <u>Qualification samples</u> availability for customer(s):</b>	M24C01: Week 05 / 2013 M24C02: Available M24C04: Available
<b>Forecast date for the internal STMicroelectronics change, <u>Qualification Report</u> availability:</b>	The intermediate <b>Qualification Report QRMMY1207</b> is available and included inside this document.
<b>Marking to identify the changed product:</b>	Process Technology identifier "T" for CMOSF8H+
<b>Description of the qualification program:</b>	Standard ST Microelectronics Corporate Procedures for Quality and Reliability
<b>Product Line(s) and/or Part Number(s):</b>	See Appendix B
<b>Manufacturing location:</b>	Rousset 8 inch wafer fab
<b>Estimated date of first shipment:</b>	Week 09 / 2013

**M24C01, M24C02, M24C04, 1, 2, 4 Kbit I<sup>2</sup>C Bus EEPROM**  
**Industrial grade / SO8N package**  
**Redesign and upgrade to the CMOSF8H+ process technology**

**Appendix B: Concerned Commercial Part Numbers:**

<b>Commercial Part Numbers</b>	<b>Package</b>	<b>Samples availability</b>
<b>M24C01-RMN6P (*)</b>	SO8N	No sample in tube
<b>M24C01-RMN6TP (*)</b>	SO8N	Week 05 / 2013
M24C01-WMN6P	SO8N	No sample in tube
M24C01-WMN6TP	SO8N	Week 05 / 2013
<b>M24C02-RMN6P (*)</b>	SO8N	No sample in tube
<b>M24C02-RMN6TP (*)</b>	SO8N	Available
M24C02-WMN6P	SO8N	No sample in tube
M24C02-WMN6TP	SO8N	Available
<b>M24C04-RMN6P (*)</b>	SO8N	No sample in tube
<b>M24C04-RMN6TP (*)</b>	SO8N	Available
M24C04-WMN6P	SO8N	No sample in tube
M24C04-WMN6TP	SO8N	Available

(\*) Following product line rationalization, we recommend customer to use **-R** version (1.8 V – 5.5 V) when **-W** (2.5 V – 5.5 V) is used.

For instance, **M24C02-RMN6TP** should be preferred to M24C02-WMN6TP.

M24C01, M24C02, M24C04, 1, 2, 4 Kbit I<sup>2</sup>C Bus EEPROM  
Industrial grade / SO8N package  
Redesign and upgrade to the CMOSF8H+ process technology

**Appendix C: Qualification Report:**

**See following pages**



# QRMMY1207 Qualification report

New design / M24C04 M24C02 M24C01  
using the CMOSF8H+ technology at the Rousset 8" Fab

Table 1. Product information

General information	
Commercial product	M24C04-FMN6TP M24C04-RMN6TP M24C04-WMN6TP M24C02-FMN6TP M24C02-RMN6TP M24C02-WMN6TP M24C01-RMN6TP M24C01-WMN6TP
Product description	M24C04: 4-Kbit serial I <sup>2</sup> C bus EEPROM M24C02: 2-Kbit serial I <sup>2</sup> C bus EEPROM M24C01: 1-Kbit serial I <sup>2</sup> C bus EEPROM
Product group	MMS
Product division	MMY - Memory
Silicon process technology	CMOSF8H+
Wafer fabrication location	RS8F - ST Rousset 8", France
Electrical Wafer Sort test plant location	ST Rousset, France ST Toa Payoh, Singapore

Table 2. Package description

Package description	Assembly plant location	Final test plant location
SO8N	ST Shenzhen, China	ST Shenzhen, China
	Subcon Amkor, Philippines	Subcon Amkor, Philippines

**Reliability assessment: All available data are positive.**

# 1 Reliability evaluation overview

## 1.1 Objectives

This qualification report summarizes the results of the reliability trials that were performed to qualify the new design M24C04, M24C02 and M24C01 using the CMOSF8H+ silicon process technology at the ST Rousset 8" diffusion fab.

The CMOSF8H+ is closely derived from CMOSF8H silicon process technology (already used for production of EEPROM densities ranging from 32 Kb to 2 Mb), with a more compact layout, in order to achieve a competitive die size.

The CMOSF8H+ technology is already qualified in the ST Rousset 8" fab using M24C16 as driver product.

The voltage and temperature ranges covered by this document are:

- 2.5 to 5.5 V at -40 to 85 °C for -W devices
- 1.8 to 5.5 V at -40 to 85 °C for -R devices

This document serves for the qualification of the named product using the named silicon process technology in the named diffusion plant.

## 1.2 Conclusion

The new design M24C04, M24C02 and M24C01 using the CMOSF8H+ silicon process technology at the ST Rousset 8" diffusion fab have passed all ESD and latch-up requirements. Reliability trials are still on going, and all available data are positive.

Refer to [Section 3: Reliability test results](#) for details on the test results.

## 2 Device characteristics

### Device description

The M24C04-x, M24C02-x and M24C01-x devices are I<sup>2</sup>C-compatible electrically erasable programmable memories (EEPROM). They are organized as 512 / 256 / 128 × 8 bits respectively.

The device behaves as a slave in the I<sup>2</sup>C protocol, with all memory operations synchronized by the serial clock. Read and Write operations are initiated by a Start condition, generated by the bus master. The Start condition is followed by a device select code and a Read/Write bit (RW) terminated by an acknowledge bit.

When writing data to the memory, the device inserts an acknowledge bit during the 9<sup>th</sup> bit time, following the bus master's 8-bit transmission. When data is read by the bus master, the bus master acknowledges the receipt of the data byte in the same way. Data transfers are terminated by a Stop condition after an Ack for Write, and after a NoAck for Read.

Refer to the product datasheet for more details.

### 3 Reliability test results

This section contains a general description of the reliability evaluation strategy.

The named products are qualified using the standard STMicroelectronics corporate procedures for quality and reliability.

The CMOSF8H+ process technology has been qualified on 3 lots using the driver product M24C16 (refer to qualification report QRMMY1126).

The M24C04/M24C02/M24C01 are designed with the same architecture and technology as the driver product M24C16. Qualification of M24C04/M24C02/M24C01 benefits of the family approach (1 lot).

The product vehicle used for the die qualification are presented in [Table 3](#).

**Table 3. Product vehicle used for die qualification**

Product	Silicon process technology	Wafer fabrication location	Package description	Assembly plant location
M24C16	CMOSF8H+	ST Rousset 8"	CDIP8	Engineering assy <sup>(1)</sup>
M24C04 / M24C02 / M24C01 <sup>(2)(3)</sup>	CMOSF8H+	ST Rousset 8"	CDIP8	Engineering assy <sup>(1)</sup>

1. CDIP8 is a engineering ceramic package used only for die-oriented reliability trials.
2. Qualification on 3 lots using the driver product M24C16 - Qualification of M24C04/M24C02/M24C01 benefits of the family approach (1 lot).
3. The M24C02, M24C01 products are derived from M24C04 product during test flow. Consequently, M24C04 reliability results are used to qualify all named products.

The package qualifications were mainly obtained by similarity. The product vehicle used for package qualification is presented in [Table 4](#).

**Table 4. Product vehicle used for package qualification**

Product	Silicon process technology	Wafer fabrication location	Package description	Assembly plant location
M24C16 <sup>(1)</sup>	CMOSF8H+	ST Rousset 8"	SO8N	ST Shenzhen / Subcon Amkor
			TSSOP8	ST Shenzhen / Subcon Amkor
			UFDFPN8 (MLP8) 2 x 3 mm	ST Calamba / Subcon Amkor

1. Larger memory array using the same silicon process technology in the same diffusion fab. Package qualification results of M24C16 are applicable to M24C04/M24C02/M24C01.

### 3.1 Reliability test plan and result summary

The reliability test plan and the result summary are presented as follows:

- in [Table 5](#) for die-oriented tests.
- in [Table 6](#) for SO8N ST Shenzhen / subcontractor Amkor package-oriented tests.
- Reliability tests on all other packages are planned, but results are not yet available.

**Table 5. Die-oriented reliability test plan and result summary (CDIP8 / Engineering package)**

Test	Test short description <sup>(1)</sup>								
	Method	Conditions	Sample size / lots	No. of lots	Duration	Results fail / sample size			
						M24C16			M24C04 (2)(3)
						Lot 1	Lot 2	Lot 3	Lot 1
EDR	High temperature operating life after endurance								
	AEC-Q100-005	1 million E/W cycles at 25 °C then: HTOL 150 °C, 6 V	80	1	168 hrs	0/80	0/80	0/80	0/80
					504 hrs	0/80	0/80	0/80	0/80
					1008 hrs	0/80	0/80	0/80	Results W51'12
	Data retention after endurance								
	AEC-Q100-005	1 million E/W cycles at 25 °C then: HTSL at 150 °C	80	1	168 hrs	0/80	0/80	0/80	0/80
504 hrs					0/80	0/80	0/80	0/80	
1008 hrs					0/80	0/80	0/80	Results W51'12	
LTOL	Low temperature operating life								
	JESD22-A108	-40 °C, 6 V	80	1	168 hrs	0/80	0/80	0/80	0/80
					504 hrs	0/80	0/80	0/80	Results W50'12
					1008 hrs	0/80	0/80	0/80	Results W02'13
HTSL	High temperature storage life								
	JESD22-A103	Retention bake at 200 °C	80	1	168 hrs	0/80	0/80	0/80	0/80
					504 hrs	0/80	0/80	0/80	Results W50'12
					1008 hrs	0/80	0/80	0/80	Results W02'13
WEB	Program/erase endurance cycling + bake								
	Internal spec.	1 million E/W cycles at 25 °C then: Retention bake at 200 °C / 48 hours	80	1	1 million cycles / 48 hrs	0/80 <sup>(4)</sup>	0/80 <sup>(4)</sup>	0/80 <sup>(4)</sup>	0/80 <sup>(5)</sup>



**Table 5. Die-oriented reliability test plan and result summary (CDIP8 / Engineering package) (continued)**

Test	Test short description <sup>(1)</sup>								
	Method	Conditions	Sample size / lots	No. of lots	Duration	Results fail / sample size			
						M24C16			M24C04 (2)(3)
						Lot 1	Lot 2	Lot 3	Lot 1
ESD HBM	Electrostatic discharge (human body model)								
	AEC-Q100-002 JESD22-A114	C = 100 pF, R = 1500 Ω	27	1	N/A	Pass 3000 V	Pass 3000 V	Pass 3000 V	Pass 3000 V
ESD MM	Electrostatic discharge (machine model)								
	AEC-Q100-003 JESD22-A115	C = 200 pF, R = 0 Ω	12	1	N/A	Pass 400 V	Pass 400 V	Pass 400 V	Pass 400 V
LU	Latch-up (current injection and overvoltage stress)								
	AEC-Q100-004 JESD78A	At maximum operating temperature (150 °C)	6	1	N/A	Class II - Level A	Class II - Level A	Class II - Level A	Class II - Level A

1. See [Table 7: List of terms](#) for a definition of abbreviations.
2. Qualification on 3 lots using the driver product M24C16 - Qualification of M24C04/M24C02/M24C01 benefits of the family approach (1 lot).
3. The M24C02, M24C01 products are derived from M24C04 product during test flow. Consequently, M24C04 reliability results are used to qualify all named products.
4. First rejects after 5 million cycles + bake.
5. No reject after 1 million cycles + bake - Trial still running.

**Table 6. Package-oriented reliability test plan and result summary (SO8N / ST Shenzhen & subcontractor Amkor)**

Test	Test short description <sup>(1)</sup>								
	Method	Conditions	Sample size / lots	No. of lots	Duration	Results fail / sample size			
						M24C16			M24C04 M24C02 M24C01 (2)
						Lot 1	Lot 2	Lot 3	Lot 1
PC	Preconditioning: moisture sensitivity level 1								
	JESD22-A113 J-STD-020D	MSL1, peak temperature at 260 °C, 3 IReflow	1145	1	N/A	0/1145	0/1145	0/1145	-
THB (3)	Temperature humidity bias								
	AEC-Q100- JESD22-A101	85 °C, 85% RH, bias 5.5 V	80	1	1008 hrs	0/80	0/80	0/80	-
TC (3)	Temperature cycling								
	AEC-Q100- JESD22-A104	-65 °C / +150 °C	80	1	1000 cycles	0/80	0/80	0/80	-
TMSK (3)	Thermal shocks								
	JESD22-A106	-55 °C / +125 °C	25	1	200 shocks	0/25	0/25	0/25	-
AC (3)	Autoclave (pressure pot)								
	AEC-Q100- JESD22-A102	121 °C, 100% RH at 2 ATM	80	1	168 hrs	0/80	0/80	0/80	-
HTSL (3)	High temperature storage life								
	AEC-Q100- JESD22-A103	Retention bake at 150 °C	80	1	1008 hrs	0/80	0/80	0/80	-
ELFR (3)	Early life failure rate								
	AEC-Q100- 008	HTOL at 150 °C, 6V	800	1	48 hrs	0/800	0/800	0/800	-
ESD CDM	Electrostatic discharge (charge device model)								
	AEC-Q100- 011 JESD22-C101	Field induced charging method	18	1	N/A	PASS > 1500V	-	-	Results W02'13

1. See [Table 7: List of terms](#) for a definition of abbreviations.
2. Larger memory array using the same silicon process technology in the same diffusion fab - Package qualification results of M24C16 are applicable to M24C04/M24C02/M24C01.
3. THB-, TC-, TMSK-, AC-, HTSL and ELFR- dedicated parts are first subject to preconditioning flow.

## 4 Applicable and reference documents

- AEC-Q100: Stress test qualification for integrated circuits
- SOP 2.6.10: General product qualification procedure
- SOP 2.6.11: Program management for product qualification
- SOP 2.6.12: Design criteria for product qualification
- SOP 2.6.14: Reliability requirements for product qualification
- SOP 2.6.19: Process maturity level
- SOP 2.6.2: Process qualification and transfer management
- SOP 2.6.20: New process / New product qualification
- SOP 2.6.7: Product maturity level
- SOP 2.6.9: Package and process maturity management in Back End
- SOP 2.7.5: Automotive products definition and status
- JESD22-A101: Steady state temperature humidity bias life test
- JESD22-A102: Accelerated moisture resistance - unbiased autoclave
- JESD22-A103: High temperature storage life
- JESD22-A104: Temperature cycling
- JESD22-A106: Thermal shock
- JESD22-A108: Temperature, bias, and operating life
- JESD22-A113: Preconditioning of nonhermetic surface mount devices prior to reliability testing
- JESD22-A114: Electrostatic discharge (ESD) sensitivity testing human body model (HBM)
- JESD22-A115: Electrostatic discharge (ESD) sensitivity testing machine model (MM)
- JESD78: IC Latch-up test
- J-STD-020D: Moisture/reflow sensitivity classification for nonhermetic solid state surface mount devices

## 5 Glossary

Table 7. List of terms

Terms	Description
EDR	NVM endurance, data retention and operational life
HTOL	High temperature operating life
LTOL	Low temperature operating life
HTB	High temperature bake
WEB	Program/Erase endurance cycling + bake
ESD HBM	Electrostatic discharge (human body model)
ESD MM	Electrostatic discharge (machine model)
LU	Latch-up
PC	Preconditioning (solder simulation)
THB	Temperature humidity bias
TC	Temperature cycling
TMSK	Thermal shocks
AC	Autoclave (pressure pot)
HTSL	High temperature storage life
ELFR	Early life failure rate
ESD CDM	Electrostatic discharge (charge device model)

## 6 Revision history

**Table 8. Document revision history**

Date	Revision	Changes
30-Nov-2012	1	Initial release.

**Please Read Carefully:**

Information in this document is provided solely in connection with ST products. STMicroelectronics NV and its subsidiaries ("ST") reserve the right to make changes, corrections, modifications or improvements, to this document, and the products and services described herein at any time, without notice.

All ST products are sold pursuant to ST's terms and conditions of sale.

Purchasers are solely responsible for the choice, selection and use of the ST products and services described herein, and ST assumes no liability whatsoever relating to the choice, selection or use of the ST products and services described herein.

No license, express or implied, by estoppel or otherwise, to any intellectual property rights is granted under this document. If any part of this document refers to any third party products or services it shall not be deemed a license grant by ST for the use of such third party products or services, or any intellectual property contained therein or considered as a warranty covering the use in any manner whatsoever of such third party products or services or any intellectual property contained therein.

**UNLESS OTHERWISE SET FORTH IN ST'S TERMS AND CONDITIONS OF SALE ST DISCLAIMS ANY EXPRESS OR IMPLIED WARRANTY WITH RESPECT TO THE USE AND/OR SALE OF ST PRODUCTS INCLUDING WITHOUT LIMITATION IMPLIED WARRANTIES OF MERCHANTABILITY, FITNESS FOR A PARTICULAR PURPOSE (AND THEIR EQUIVALENTS UNDER THE LAWS OF ANY JURISDICTION), OR INFRINGEMENT OF ANY PATENT, COPYRIGHT OR OTHER INTELLECTUAL PROPERTY RIGHT.**

**UNLESS EXPRESSLY APPROVED IN WRITING BY TWO AUTHORIZED ST REPRESENTATIVES, ST PRODUCTS ARE NOT RECOMMENDED, AUTHORIZED OR WARRANTED FOR USE IN MILITARY, AIR CRAFT, SPACE, LIFE SAVING, OR LIFE SUSTAINING APPLICATIONS, NOR IN PRODUCTS OR SYSTEMS WHERE FAILURE OR MALFUNCTION MAY RESULT IN PERSONAL INJURY, DEATH, OR SEVERE PROPERTY OR ENVIRONMENTAL DAMAGE. ST PRODUCTS WHICH ARE NOT SPECIFIED AS "AUTOMOTIVE GRADE" MAY ONLY BE USED IN AUTOMOTIVE APPLICATIONS AT USER'S OWN RISK.**

Resale of ST products with provisions different from the statements and/or technical features set forth in this document shall immediately void any warranty granted by ST for the ST product or service described herein and shall not create or extend in any manner whatsoever, any liability of ST.

ST and the ST logo are trademarks or registered trademarks of ST in various countries.

Information in this document supersedes and replaces all information previously supplied.

The ST logo is a registered trademark of STMicroelectronics. All other names are the property of their respective owners.

© 2012 STMicroelectronics - All rights reserved

STMicroelectronics group of companies

Australia - Belgium - Brazil - Canada - China - Czech Republic - Finland - France - Germany - Hong Kong - India - Israel - Italy - Japan - Malaysia - Malta - Morocco - Philippines - Singapore - Spain - Sweden - Switzerland - United Kingdom - United States of America

[www.st.com](http://www.st.com)







# M24C08-x M24C04-x M24C02-x M24C01-x

## 8-Kbit, 4-Kbit, 2-Kbit, and 1-Kbit serial I<sup>2</sup>C bus EEPROM

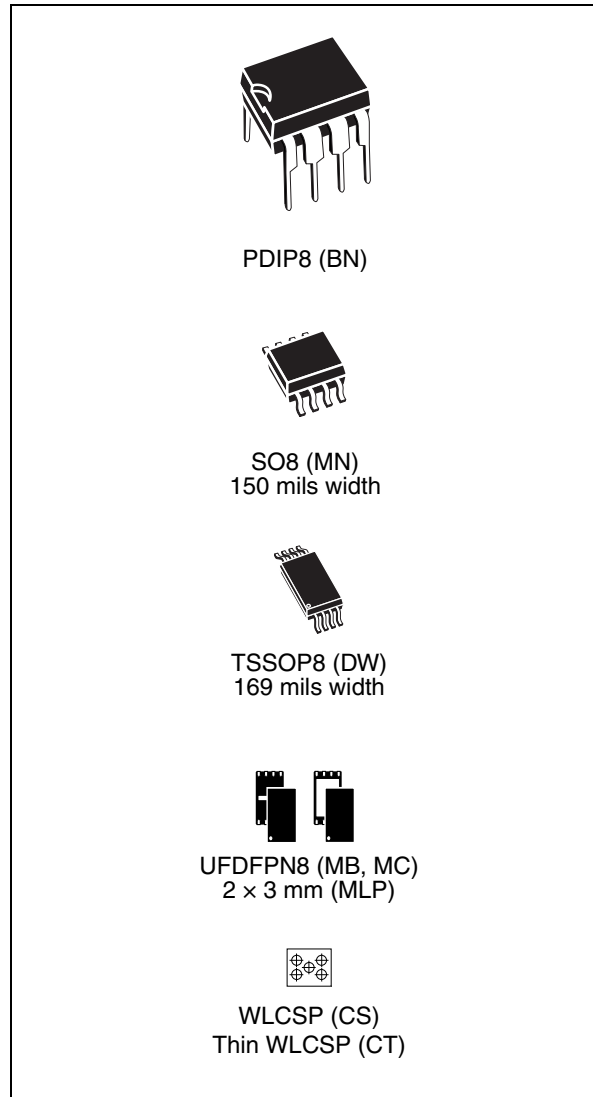
Datasheet – production data

### Features

- Supports both the 100 kHz I<sup>2</sup>C Standard-mode and the 400 kHz I<sup>2</sup>C Fast-mode
- Single supply voltage:
  - 2.5 V to 5.5 V for M24Cxx-W
  - 1.8 V to 5.5 V for M24Cxx
  - 1.7 V to 5.5 V for M24Cxx-F
- Write Control input
- Byte and Page Write (up to 8 bytes)
- Random and Sequential Read modes
- Self-timed programming cycle
- Automatic address incrementing
- Enhanced ESD/latch-up protection
- More than 1 million write cycles
- More than 40-year data retention
- Packages:
  - SO8, TSSOP8, UDFPN8: ECOPACK2<sup>®</sup> (RoHS-compliant and Halogen-free)
  - PDIP8: ECOPACK1<sup>®</sup> (RoHS-compliant)

Table 1. Device summary

Reference	Part number
M24C08-x	M24C08-W
	M24C08-R
	M24C08-F
M24C04-x	M24C04-W
	M24C04-R
	M24C04-F
M24C02-x	M24C02-W
	M24C02-R
M24C01-x	M24C01-W
	M24C01-R



1. Only M24C08-F devices are offered in the WLCSP package.
2. Only M24C08-F devices are offered in the Thin WLCSP package.



# Contents

- 1 Description . . . . . 6**
- 2 Signal description . . . . . 8**
  - 2.1 Serial Clock (SCL) . . . . . 8
  - 2.2 Serial Data (SDA) . . . . . 8
  - 2.3 Chip Enable (E0, E1, E2) . . . . . 8
    - 2.3.1 Write Control (WC) . . . . . 8
  - 2.4 Supply voltage ( $V_{CC}$ ) . . . . . 9
    - 2.4.1 Operating supply voltage  $V_{CC}$  . . . . . 9
    - 2.4.2 Power-up conditions . . . . . 9
    - 2.4.3 Device reset . . . . . 9
    - 2.4.4 Power-down conditions . . . . . 9
- 3 Device operation . . . . . 11**
  - 3.1 Start condition . . . . . 11
  - 3.2 Stop condition . . . . . 11
  - 3.3 Acknowledge bit (ACK) . . . . . 11
  - 3.4 Data input . . . . . 11
  - 3.5 Memory addressing . . . . . 12
  - 3.6 Write operations . . . . . 13
    - 3.6.1 Byte Write . . . . . 14
    - 3.6.2 Page Write . . . . . 14
    - 3.6.3 Minimizing system delays by polling on ACK . . . . . 15
  - 3.7 Read operations . . . . . 16
    - 3.7.1 Random Address Read . . . . . 16
    - 3.7.2 Current Address Read . . . . . 17
    - 3.7.3 Sequential Read . . . . . 17
    - 3.7.4 Acknowledge in Read mode . . . . . 17
- 4 Initial delivery state . . . . . 19**
- 5 Maximum rating . . . . . 19**
- 6 DC and AC parameters . . . . . 20**

---

7	Package mechanical data .....	26
8	Part numbering .....	32
9	Revision history .....	33

## List of tables

Table 1.	Device summary . . . . .	1
Table 2.	Signal names . . . . .	6
Table 3.	Device select code . . . . .	12
Table 4.	Operating modes . . . . .	12
Table 5.	Absolute maximum ratings . . . . .	19
Table 6.	Operating conditions (M24Cxx-W) . . . . .	20
Table 7.	Operating conditions (M24Cxx-R) . . . . .	20
Table 8.	Operating conditions (M24Cxx-F) . . . . .	20
Table 9.	DC characteristics (M24Cxx-W, device grade 6) . . . . .	21
Table 10.	DC characteristics (M24Cxx-R) . . . . .	21
Table 11.	DC characteristics (M24Cxx-F) . . . . .	22
Table 12.	AC measurement conditions . . . . .	22
Table 13.	Input parameters . . . . .	23
Table 14.	AC characteristics at 400 kHz (I <sup>2</sup> C Fast mode) (M24Cxx-W, M24Cxx-R, M24Cxx-F) . . . . .	23
Table 15.	AC characteristics at 100 kHz (I <sup>2</sup> C Standard mode) (M24Cxx-W, M24Cxx-R, M24Cxx-F) . . . . .	24
Table 16.	M24C08: WLCSP (0.5 mm height) 0.4 mm pitch, 5 bumps, package data . . . . .	26
Table 17.	M24C08: Thin WLCSP (0.3 mm height), 0.4 mm pitch, 5 bumps, package data . . . . .	27
Table 18.	SO8 narrow – 8 lead plastic small outline, 150 mils body width, package mechanical data . . . . .	28
Table 19.	UFDFPN8 (MLP8) 8-lead ultra thin fine pitch dual flat package no lead 2 x 3 mm, data . . . . .	29
Table 20.	TSSOP8 – 8 lead thin shrink small outline, package mechanical data . . . . .	30
Table 21.	PDIP8 – 8 pin plastic DIP, 0.25 mm lead frame, package mechanical data . . . . .	31
Table 22.	Ordering information scheme . . . . .	32
Table 23.	Document revision history . . . . .	33

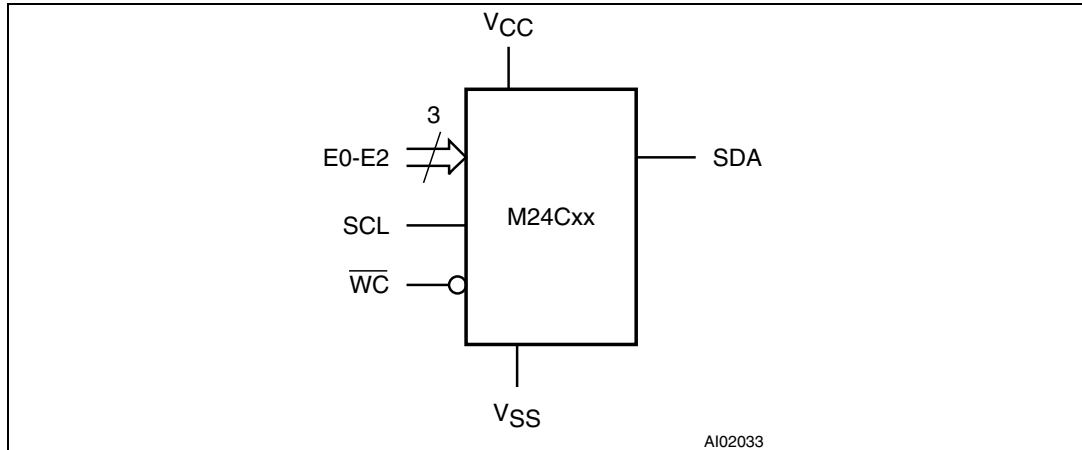
## List of figures

Figure 1.	Logic diagram . . . . .	6
Figure 2.	8-pin package connections (top view) . . . . .	7
Figure 3.	WLCSP and thin WLCSP connections (top view, marking side, with balls on the underside) . . . . .	7
Figure 4.	Device select code . . . . .	8
Figure 5.	I <sup>2</sup> C Fast mode ( $f_C = 400$ kHz): maximum Rbus value versus bus parasitic capacitance ( $C_{bus}$ ) . . . . .	10
Figure 6.	I <sup>2</sup> C bus protocol . . . . .	10
Figure 7.	Write mode sequences with $\overline{WC} = 1$ (data write inhibited) . . . . .	13
Figure 8.	Write mode sequences with $\overline{WC} = 0$ (data write enabled) . . . . .	15
Figure 9.	Write cycle polling flowchart using ACK . . . . .	16
Figure 10.	Read mode sequences . . . . .	18
Figure 11.	AC measurement I/O waveform . . . . .	22
Figure 12.	AC waveforms . . . . .	25
Figure 13.	WLCSP (0.5 mm) and Thin WLCSP (0.3 mm) 0.4 mm pitch 5 bumps, package outline . . . . .	26
Figure 14.	SO8 narrow – 8 lead plastic small outline, 150 mils body width, package outline . . . . .	28
Figure 15.	UFDFPN8 (MLP8) 8-lead ultra thin fine pitch dual flat package no lead 2 x 3 mm, outline . . . . .	29
Figure 16.	TSSOP8 – 8 lead thin shrink small outline, package outline . . . . .	30
Figure 17.	PDIP8 – 8 pin plastic DIP, 0.25 mm lead frame, package outline . . . . .	31

# 1 Description

These I<sup>2</sup>C-compatible electrically erasable programmable memory (EEPROM) devices are organized as 1024/512/256/128 x 8 (M24C08-x, M24C04-x, M24C02-x and M24C01-x).

**Figure 1. Logic diagram**



I<sup>2</sup>C uses a two-wire serial interface, comprising a bidirectional data line and a clock line. The devices carry a built-in 4-bit Device Type Identifier code (1010) in accordance with the I<sup>2</sup>C bus definition.

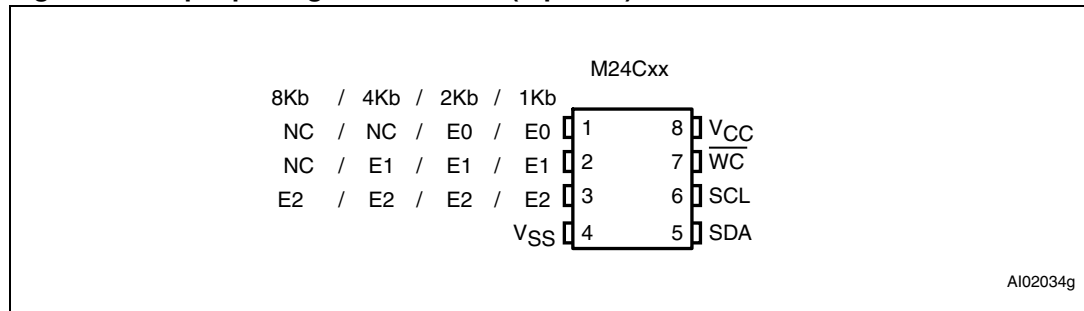
The device behaves as a slave in the I<sup>2</sup>C protocol, with all memory operations synchronized by the serial clock. Read and Write operations are initiated by a Start condition, generated by the bus master. The Start condition is followed by a device select code and Read/Write bit ( $\overline{RW}$ ) (as described in [Table 3](#)), terminated by an acknowledge bit.

When writing data to the memory, the device inserts an acknowledge bit during the 9<sup>th</sup> bit time, following the bus master's 8-bit transmission. When data is read by the bus master, the bus master acknowledges the receipt of the data byte in the same way. Data transfers are terminated by a Stop condition after an Ack for Write, and after a NoAck for Read.

**Table 2. Signal names**

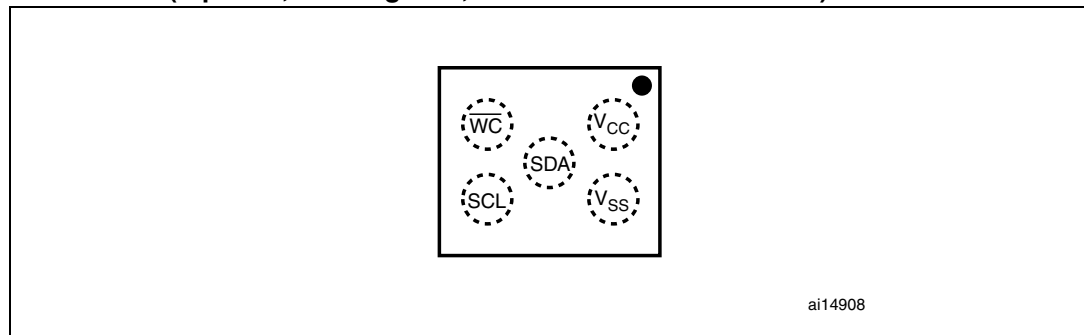
Signal name	Function	Direction
E0, E1, E2	Chip Enable	Input
SDA	Serial Data	Input/output
SCL	Serial Clock	Input
$\overline{WC}$	Write Control	Input
V <sub>CC</sub>	Supply voltage	
V <sub>SS</sub>	Ground	

**Figure 2. 8-pin package connections (top view)**



1. NC = Not connected
2. See [Section 7: Package mechanical data](#) for package dimensions, and how to identify pin-1.
3. The Ei inputs are not decoded, and are therefore decoded as "0" (See [Section 2.3: Chip Enable \(E0, E1, E2\)](#) for more information).

**Figure 3. WLCSP and thin WLCSP connections (top view, marking side, with balls on the underside)**



1. See [Figure 2: 8-pin package connections \(top view\)](#). The Ei inputs are not connected to a ball, therefore the Ei input is decoded as "0" (see also [Section 2.3: Chip Enable \(E0, E1, E2\)](#))

**Caution:** EEPROM dice delivered in wafer form or in WLCSP package by STMicroelectronics must never be exposed to ultra violet (UV) light, since EEPROM cells loose their charge (and so their binary value) when exposed to UV light.

## 2 Signal description

### 2.1 Serial Clock (SCL)

This input signal is used to strobe all data in and out of the device. In applications where this signal is used by slave devices to synchronize the bus to a slower clock, the bus master must have an open drain output, and a pull-up resistor can be connected from Serial Clock (SCL) to  $V_{CC}$ . ([Figure 5](#) indicates how the value of the pull-up resistor can be calculated). In most applications, though, this method of synchronization is not employed, and so the pull-up resistor is not necessary, provided that the bus master has a push-pull (rather than open drain) output.

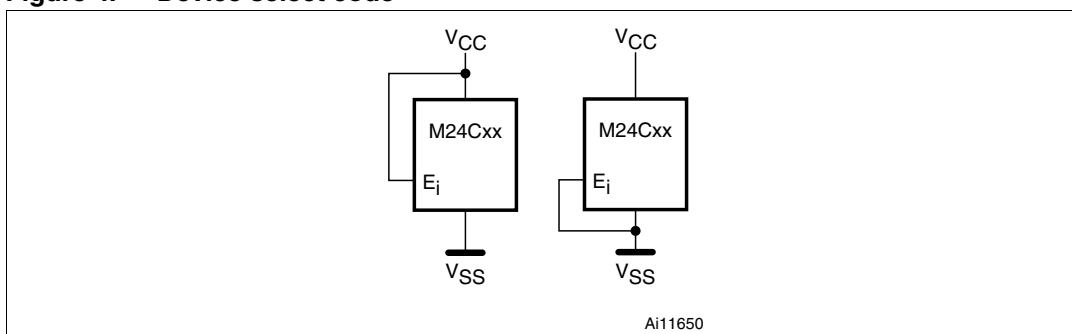
### 2.2 Serial Data (SDA)

This bidirectional signal is used to transfer data in or out of the device. It is an open drain output that may be wire-ORed with other open drain or open collector signals on the bus. A pull up resistor must be connected from Serial Data (SDA) to  $V_{CC}$ . ([Figure 5](#) indicates how the value of the pull-up resistor can be calculated).

### 2.3 Chip Enable (E0, E1, E2)

These input signals are used to set the value that is to be looked for on the least significant bits of the 7-bit device select code. These inputs must be tied to  $V_{CC}$  or  $V_{SS}$ , to establish the device select code as shown in [Figure 4](#). When not connected (left floating),  $E_i$  inputs are read as low (0).

**Figure 4. Device select code**



#### 2.3.1 Write Control ( $\overline{WC}$ )

This input signal is useful for protecting the entire contents of the memory from inadvertent write operations. Write operations are disabled to the entire memory array when Write Control ( $\overline{WC}$ ) is driven High. When unconnected, the signal is internally read as  $V_{IL}$ , and Write operations are allowed.

When Write Control ( $\overline{WC}$ ) is driven High, device select and address bytes are acknowledged, data bytes are not acknowledged.

## 2.4 Supply voltage ( $V_{CC}$ )

### 2.4.1 Operating supply voltage $V_{CC}$

Prior to selecting the memory and issuing instructions to it, a valid and stable  $V_{CC}$  voltage within the specified [ $V_{CC}(\min)$ ,  $V_{CC}(\max)$ ] range must be applied (see Operating conditions in [Section 6: DC and AC parameters](#)). In order to secure a stable DC supply voltage, it is recommended to decouple the  $V_{CC}$  line with a suitable capacitor (usually of the order of 10 nF to 100 nF) close to the  $V_{CC}/V_{SS}$  package pins.

This voltage must remain stable and valid until the end of the transmission of the instruction and, for a Write instruction, until the completion of the internal write cycle ( $t_W$ ).

### 2.4.2 Power-up conditions

The  $V_{CC}$  voltage has to rise continuously from 0 V up to the minimum  $V_{CC}$  operating voltage defined in Operating conditions in [Section 6: DC and AC parameters](#) and the rise time must *not* vary faster than 1 V/ $\mu$ s.

### 2.4.3 Device reset

In order to prevent inadvertent write operations during power-up, a power-on-reset (POR) circuit is included. At power-up (continuous rise of  $V_{CC}$ ), the device does not respond to any instruction until  $V_{CC}$  reaches the power-on-reset threshold voltage (this threshold is lower than the minimum  $V_{CC}$  operating voltage defined in Operating conditions in [Section 6: DC and AC parameters](#)). When  $V_{CC}$  passes over the POR threshold, the device is reset and enters the Standby Power mode. The device, however, must not be accessed until  $V_{CC}$  reaches a valid and stable  $V_{CC}$  voltage within the specified [ $V_{CC}(\min)$ ,  $V_{CC}(\max)$ ] range.

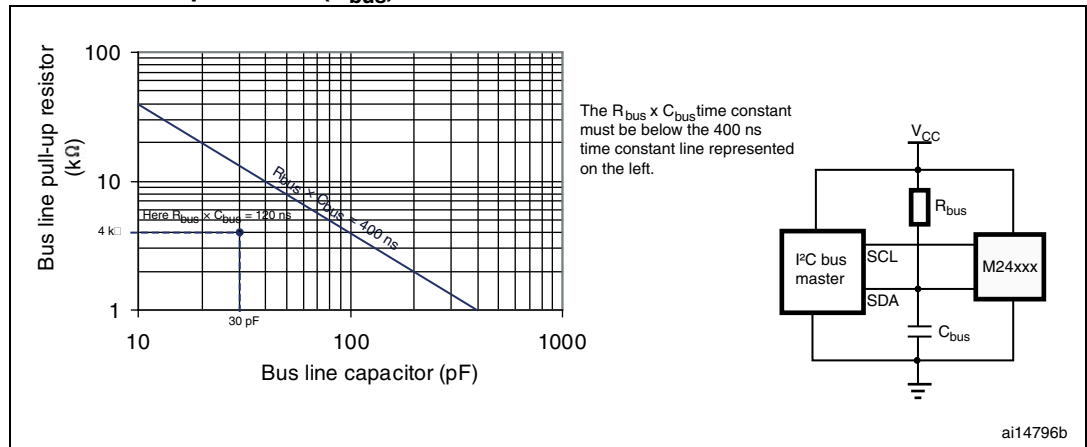
In a similar way, during power-down (continuous decrease in  $V_{CC}$ ), as soon as  $V_{CC}$  drops below the power-on-reset threshold voltage, the device stops responding to any instruction sent to it.

### 2.4.4 Power-down conditions

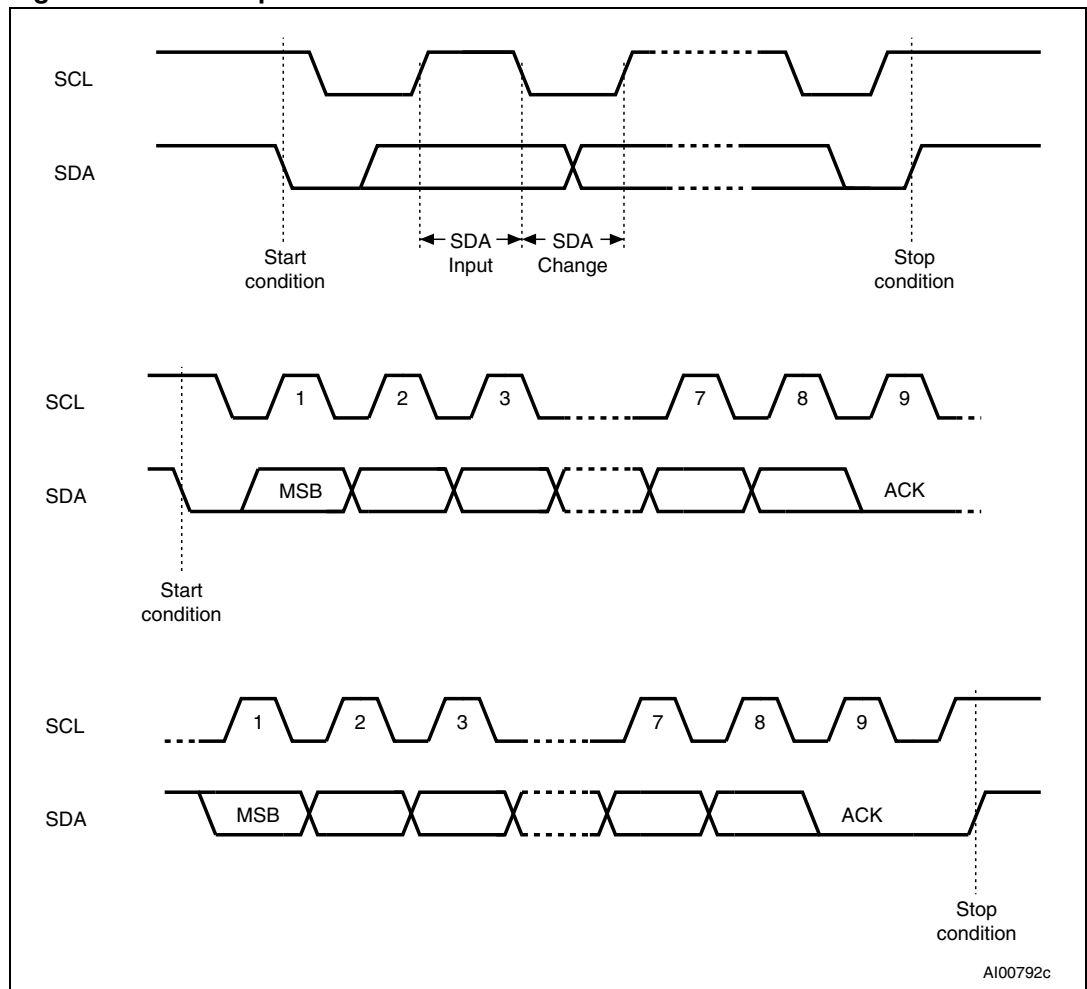
During power-down (continuous decrease in  $V_{CC}$ ), the device must be in the Standby Power mode (mode reached after decoding a Stop condition, assuming that there is no internal write cycle in progress).



**Figure 5. I<sup>2</sup>C Fast mode (f<sub>C</sub> = 400 kHz): maximum R<sub>bus</sub> value versus bus parasitic capacitance (C<sub>bus</sub>)**



**Figure 6. I<sup>2</sup>C bus protocol**



## 3 Device operation

The device supports the I<sup>2</sup>C protocol. This is summarized in [Figure 6](#). Any device that sends data on to the bus is defined to be a transmitter, and any device that reads the data to be a receiver. The device that controls the data transfer is known as the bus master, and the other as the slave device. A data transfer can only be initiated by the bus master, which will also provide the serial clock for synchronization. The device is always a slave in all communication.

### 3.1 Start condition

Start is identified by a falling edge of Serial Data (SDA) while Serial Clock (SCL) is stable in the High state. A Start condition must precede any data transfer command. The device continuously monitors (except during a Write cycle) Serial Data (SDA) and Serial Clock (SCL) for a Start condition.

### 3.2 Stop condition

Stop is identified by a rising edge of Serial Data (SDA) while Serial Clock (SCL) is stable and driven High. A Stop condition terminates communication between the device and the bus master. A Read command that is followed by NoAck can be followed by a Stop condition to force the device into the Standby mode. A Stop condition at the end of a Write command triggers the internal Write cycle.

### 3.3 Acknowledge bit (ACK)

The acknowledge bit is used to indicate a successful byte transfer. The bus transmitter, whether it be bus master or slave device, releases Serial Data (SDA) after sending eight bits of data. During the 9<sup>th</sup> clock pulse period, the receiver pulls Serial Data (SDA) Low to acknowledge the receipt of the eight data bits.

### 3.4 Data input

During data input, the device samples Serial Data (SDA) on the rising edge of Serial Clock (SCL). For correct device operation, Serial Data (SDA) must be stable during the rising edge of Serial Clock (SCL), and the Serial Data (SDA) signal must change *only* when Serial Clock (SCL) is driven Low.

### 3.5 Memory addressing

To start communication between the bus master and the slave device, the bus master must initiate a Start condition. Following this, the bus master sends the device select code, shown in [Table 3](#) (on Serial Data (SDA), most significant bit first).

**Table 3. Device select code**

	Device type identifier <sup>(1)</sup>				Chip Enable <sup>(2),(3)</sup>			R $\overline{W}$
	b7	b6	b5	b4	b3	b2	b1	b0
M24C01 select code	1	0	1	0	E2	E1	E0	R $\overline{W}$
M24C02 select code	1	0	1	0	E2	E1	E0	R $\overline{W}$
M24C04 select code	1	0	1	0	E2	E1	A8	R $\overline{W}$
M24C08 select code	1	0	1	0	E2	A9	A8	R $\overline{W}$

1. The most significant bit, b7, is sent first.
2. E0, E1 and E2 are compared against the respective external pins on the memory device.
3. A10, A9 and A8 represent most significant bits of the address.

The device select code consists of a 4-bit Device Type Identifier, and a 3-bit Chip Enable "Address" (E2, E1, E0). To address the memory array, the 4-bit Device Type Identifier is 1010b.

Each device is given a unique 3-bit code on the Chip Enable (E0, E1, E2) inputs. When the device select code is received, the device only responds if the Chip Enable Address is the same as the value on the Chip Enable (E0, E1, E2) inputs. However, those devices with larger memory capacities (the M24C08 and M24C04) need more address bits. E0 is not available for use on devices that need to use address line A8; E1 is not available for devices that need to use address line A9 (see [Figure 2](#) and [Table 3](#) for details). Using the E0, E1 and E2 inputs, up to eight M24C02 (or M24C01), four M24C04, two M24C08 devices can be connected to one I<sup>2</sup>C bus. In each case, and in the hybrid cases, this gives a total memory capacity of 16 Kbits, 2 KBytes (except where M24C01 devices are used). The 8<sup>th</sup> bit is the Read/Write bit (R $\overline{W}$ ). This bit is set to 1 for Read and 0 for Write operations.

If a match occurs on the device select code, the corresponding device gives an acknowledgment on Serial Data (SDA) during the 9<sup>th</sup> bit time. If the device does not match the device select code, it deselects itself from the bus, and goes into Standby mode.

**Table 4. Operating modes**

Mode	R $\overline{W}$ bit	WC <sup>(1)</sup>	Bytes	Initial sequence
Current Address Read	1	X	1	Start, Device Select, R $\overline{W}$ = 1
Random Address Read	0	X	1	Start, Device Select, R $\overline{W}$ = 0, Address
	1	X		reStart, Device Select, R $\overline{W}$ = 1
Sequential Read	1	X	≥ 1	Similar to Current or Random Address Read
Byte Write	0	V <sub>IL</sub>	1	Start, Device Select, R $\overline{W}$ = 0
Page Write	0	V <sub>IL</sub>	≤ 8	Start, Device Select, R $\overline{W}$ = 0

1. X = V<sub>IH</sub> or V<sub>IL</sub>.

### 3.6 Write operations

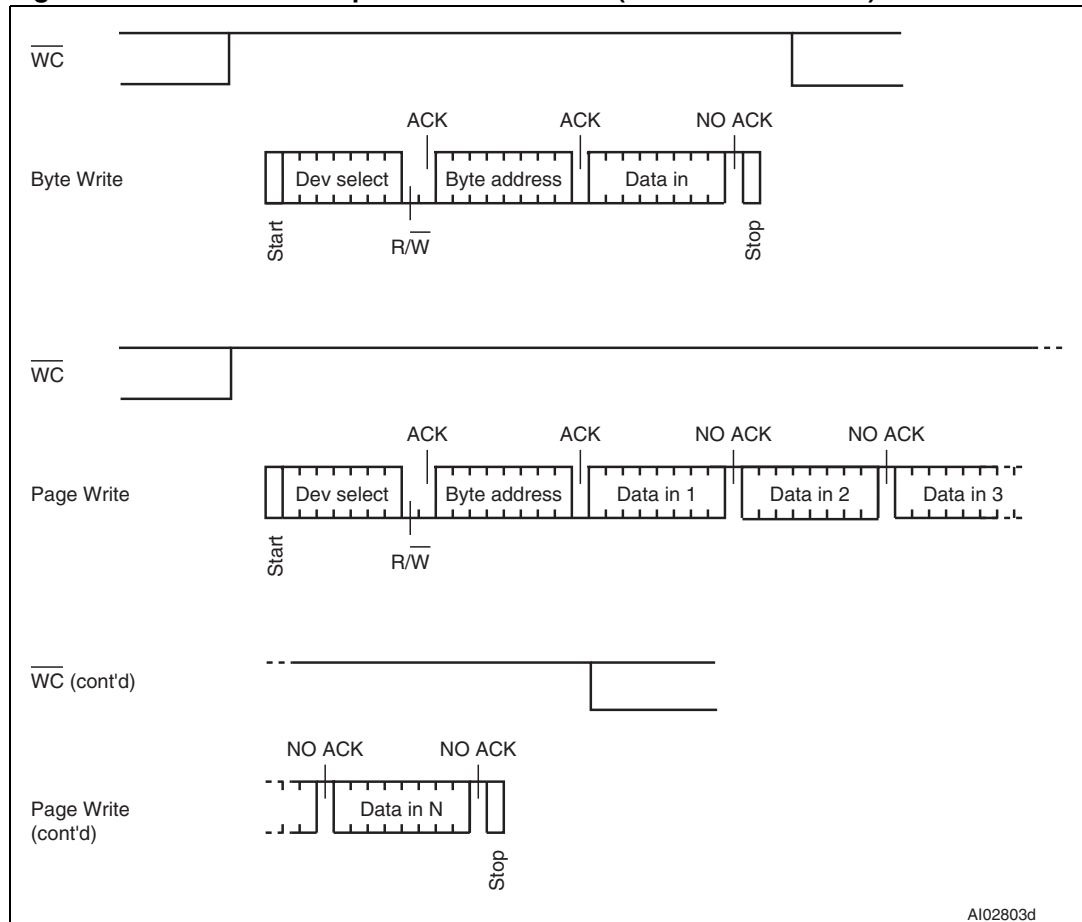
Following a Start condition the bus master sends a device select code with the Read/Write bit ( $\overline{RW}$ ) reset to 0. The device acknowledges this, as shown in *Figure 8*, and waits for an address byte. The device responds to the address byte with an acknowledge bit, and then waits for the data byte.

When the bus master generates a Stop condition immediately after a data byte Ack bit (in the “10<sup>th</sup> bit” time slot), either at the end of a Byte Write or a Page Write, the internal write cycle is triggered. A Stop condition at any other time slot does not trigger the internal write cycle.

After the Stop condition, the  $t_w$  delay, and the successful completion of a Write operation, the device internal address counter is automatically incremented, to point to the next byte address after the last one that was modified. During the internal Write cycle, Serial Data (SDA) is disabled internally, and the device does not respond to any request.

If the Write Control ( $\overline{WC}$ ) input is driven High, the Write instruction is not executed and the corresponding data bytes are not acknowledged as shown in *Figure 7*.

**Figure 7. Write mode sequences with  $\overline{WC} = 1$  (data write inhibited)**



A102803d

### 3.6.1 Byte Write

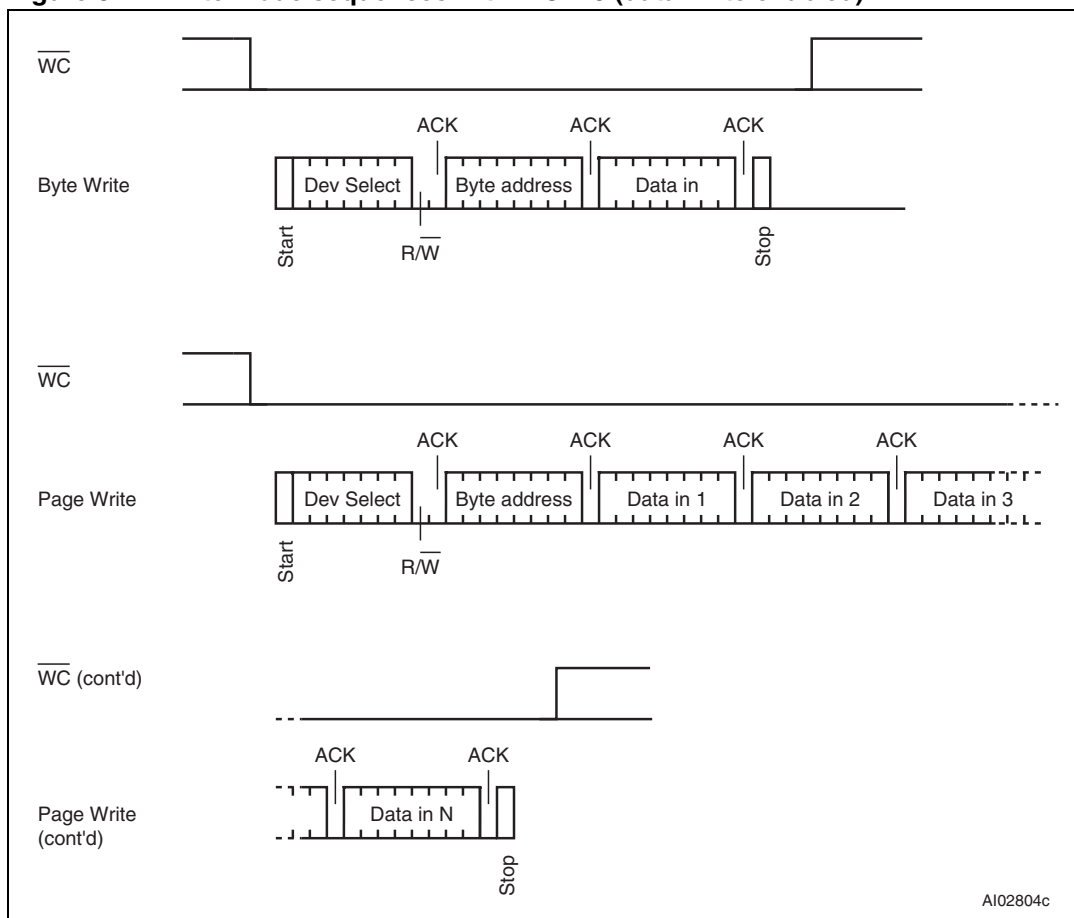
After the device select code and the address byte, the bus master sends one data byte. If the addressed location is Write-protected, by Write Control ( $\overline{WC}$ ) being driven High, the device replies to the data byte with NoAck, as shown in [Figure 7](#), and the location is not modified. If, instead, the addressed location is not Write-protected, the device replies with Ack. The bus master terminates the transfer by generating a Stop condition, as shown in [Figure 8](#).

### 3.6.2 Page Write

The Page Write mode allows up to 8 bytes to be written in a single Write cycle, provided that they are all located in the same page in the memory: that is, the most significant memory address bits are the same. If more bytes are sent than will fit up to the end of the page, a condition known as 'roll-over' occurs. This should be avoided, as data starts to become overwritten in an implementation dependent way.

The bus master sends from 1 to 8 bytes of data, each of which is acknowledged by the device if Write Control ( $\overline{WC}$ ) is Low. If the addressed location is Write-protected, by Write Control ( $\overline{WC}$ ) being driven High, the device replies to the data bytes with NoAck, as shown in [Figure 7](#), and the locations are not modified. After each byte is transferred, the internal byte address counter (the 4 least significant address bits only) is incremented. The transfer is terminated by the bus master generating a Stop condition.

**Figure 8. Write mode sequences with  $\overline{WC} = 0$  (data write enabled)**



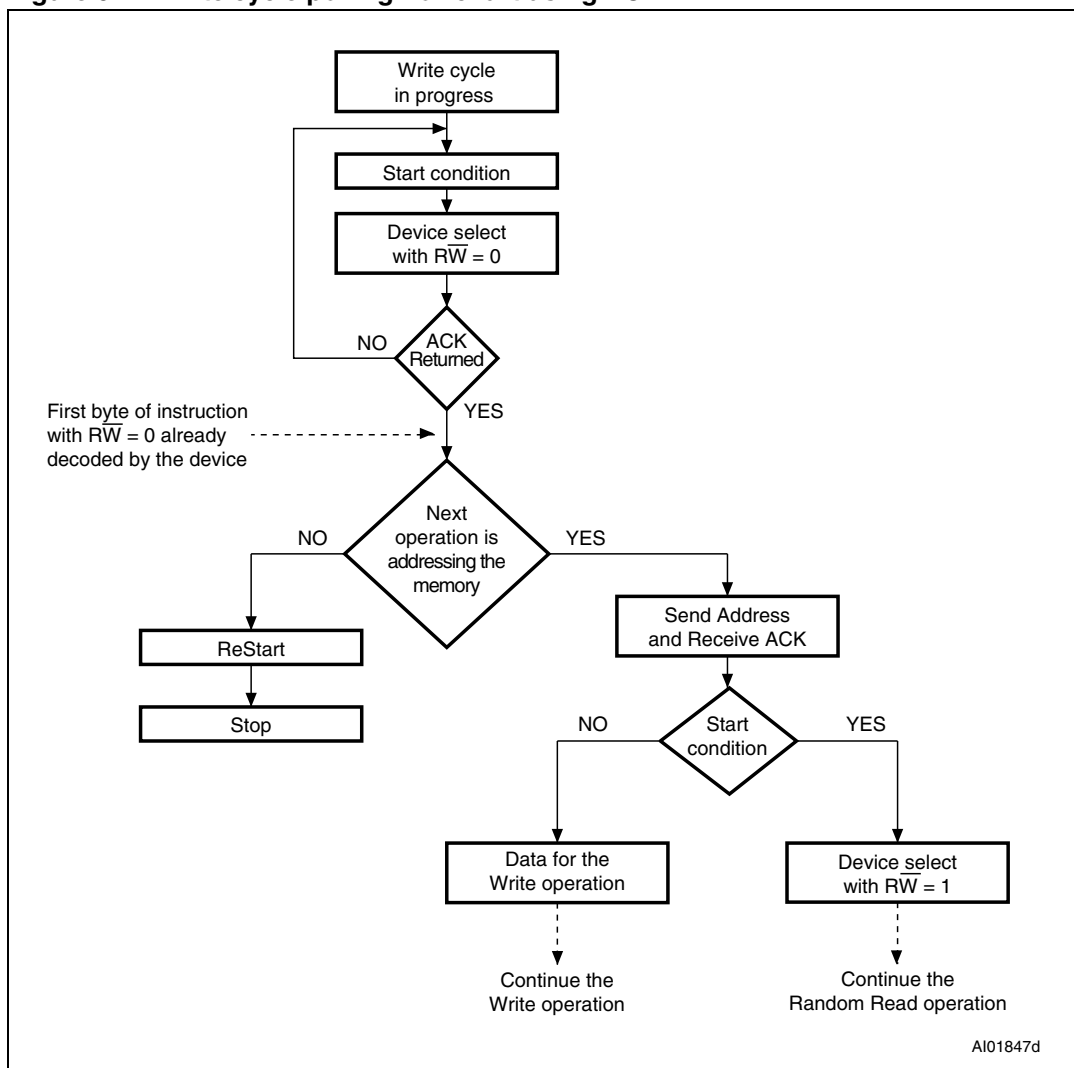
### 3.6.3 Minimizing system delays by polling on ACK

During the internal Write cycle, the device disconnects itself from the bus, and writes a copy of the data from its internal latches to the memory cells. The maximum Write time ( $t_w$ ) is shown in [Table 14](#), but the typical time is shorter. To make use of this, a polling sequence can be used by the bus master.

The sequence, as shown in [Figure 9](#), is:

- Initial condition: a Write cycle is in progress.
- Step 1: the bus master issues a Start condition followed by a device select code (the first byte of the new instruction).
- Step 2: if the device is busy with the internal Write cycle, no Ack will be returned and the bus master goes back to Step 1. If the device has terminated the internal Write cycle, it responds with an Ack, indicating that the device is ready to receive the second part of the instruction (the first byte of this instruction having been sent during Step 1).

Figure 9. Write cycle polling flowchart using ACK



### 3.7 Read operations

Read operations are performed independently of the state of the Write Control ( $\overline{WC}$ ) signal. The device has an internal address counter which is incremented each time a byte is read.

#### 3.7.1 Random Address Read

A dummy Write is first performed to load the address into this address counter (as shown in [Figure 10](#)) but *without* sending a Stop condition. Then, the bus master sends another Start condition, and repeats the device select code, with the Read/Write bit ( $\overline{RW}$ ) set to 1. The device acknowledges this, and outputs the contents of the addressed byte. The bus master must *not* acknowledge the byte, and terminates the transfer with a Stop condition.

### 3.7.2 Current Address Read

For the Current Address Read operation, following a Start condition, the bus master only sends a device select code with the Read/Write bit ( $\overline{RW}$ ) set to 1. The device acknowledges this, and outputs the byte addressed by the internal address counter. The counter is then incremented. The bus master terminates the transfer with a Stop condition, as shown in [Figure 10](#), without acknowledging the byte.

### 3.7.3 Sequential Read

This operation can be used after a Current Address Read or a Random Address Read. The bus master *does* acknowledge the data byte output, and sends additional clock pulses so that the device continues to output the next byte in sequence. To terminate the stream of bytes, the bus master must *not* acknowledge the last byte, and *must* generate a Stop condition, as shown in [Figure 10](#).

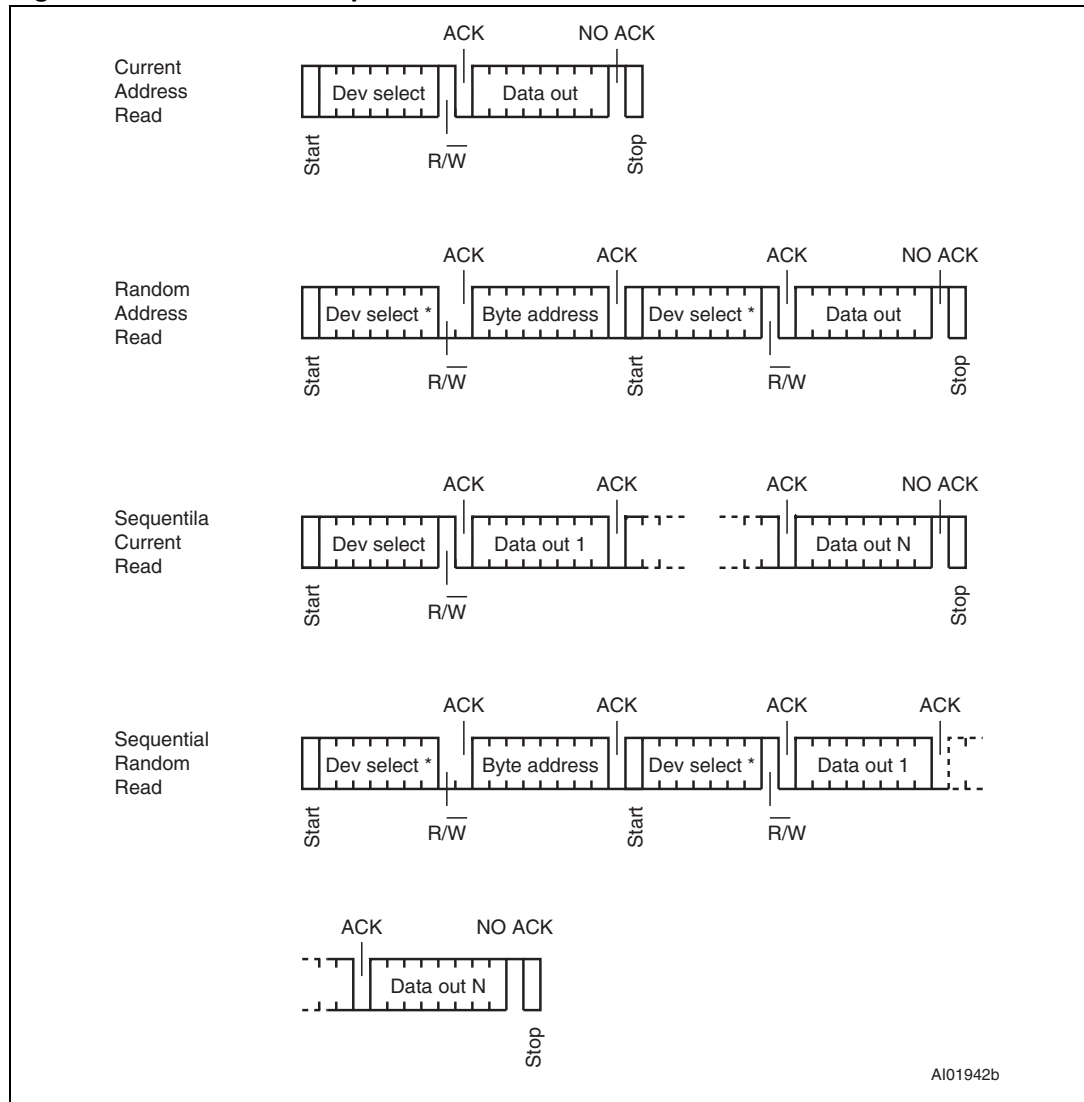
The output data comes from consecutive addresses, with the internal address counter automatically incremented after each byte output. After the last memory address, the address counter 'rolls-over', and the device continues to output data from memory address 00h.

### 3.7.4 Acknowledge in Read mode

For all Read commands, the device waits, after each byte read, for an acknowledgment during the 9<sup>th</sup> bit time. If the bus master does not drive Serial Data (SDA) Low during this time, the device terminates the data transfer and switches to its Standby mode.



Figure 10. Read mode sequences



1. The seven most significant bits of the device select code of a Random Read (in the 1<sup>st</sup> and 3<sup>rd</sup> bytes) must be identical.

## 4 Initial delivery state

The device is delivered with all bits in the memory array set to 1 (each byte contains FFh).

## 5 Maximum rating

Stressing the device outside the ratings listed in [Table 5](#) may cause permanent damage to the device. These are stress ratings only, and operation of the device at these, or any other conditions outside those indicated in the operating sections of this specification, is not implied. Exposure to absolute maximum rating conditions for extended periods may affect device reliability.

**Table 5. Absolute maximum ratings**

Symbol	Parameter	Min.	Max.	Unit
	Ambient operating temperature	-40	130	°C
T <sub>STG</sub>	Storage temperature	-65	150	°C
T <sub>LEAD</sub>	Lead temperature during soldering	see note <sup>(1)</sup>		°C
	PDIP-specific lead temperature during soldering	-	260 <sup>(2)</sup>	°C
I <sub>OL</sub>	DC output current (SDA = 0)	-	5	mA
V <sub>IO</sub>	Input or output range	-0.50	6.5	V
V <sub>CC</sub>	Supply voltage	-0.50	6.5	V
V <sub>ESD</sub>	Electrostatic discharge voltage (human body model) <sup>(3)</sup>	-	4000	V

1. Compliant with JEDEC Std J-STD-020C (for small body, Sn-Pb or Pb assembly), the ST ECOPACK<sup>®</sup> 7191395 specification, and the European directive on Restrictions on Hazardous Substances (RoHS) 2002/95/EU.
2. T<sub>LEAD</sub> max must not be applied for more than 10 s.
3. AEC-Q100-002 (compliant with JEDEC Std JESD22-A114, C1 = 100 pF, R1 = 1500 Ω, R2 = 500 Ω).

## 6 DC and AC parameters

This section summarizes the operating and measurement conditions, and the DC and AC characteristics of the device. The parameters in the DC and AC characteristic tables that follow are derived from tests performed under the measurement conditions summarized in the relevant tables. Designers should check that the operating conditions in their circuit match the measurement conditions when relying on the quoted parameters.

**Table 6. Operating conditions (M24Cxx-W)**

Symbol	Parameter	Min.	Max.	Unit
V <sub>CC</sub>	Supply voltage	2.5	5.5	V
	Ambient operating temperature	-40	85	°C

**Table 7. Operating conditions (M24Cxx-R)**

Symbol	Parameter	Min.	Max.	Unit
V <sub>CC</sub>	Supply voltage	1.8	5.5	V
	Ambient operating temperature	-40	85	°C

**Table 8. Operating conditions (M24Cxx-F)**

Symbol	Parameter	Min.	Max.	Unit
V <sub>CC</sub>	Supply voltage	1.7	5.5	V
	Ambient operating temperature	-20	85	°C

**Table 9. DC characteristics (M24Cxx-W, device grade 6)**

Symbol	Parameter	Test conditions (in addition to those in <a href="#">Table 6</a> )	Min.	Max.	Unit
$I_{LI}$	Input leakage current (SCL, SDA, E0, E1, and E2)	$V_{IN} = V_{SS}$ or $V_{CC}$ , device in Standby mode	-	$\pm 2$	$\mu A$
$I_{LO}$	Output leakage current	SDA in Hi-Z, external voltage applied on SDA: $V_{SS}$ or $V_{CC}$	-	$\pm 2$	$\mu A$
$I_{CC}$	Supply current	$V_{CC} = 5 V$ , $f_c = 400 kHz$ (rise/fall time < 50 ns)	-	2	mA
		$V_{CC} = 2.5 V$ , $f_c = 400 kHz$ (rise/fall time < 50 ns)	-	1	mA
$I_{CC1}$	Standby supply current	Device not selected <sup>(1)</sup> , $V_{IN} = V_{SS}$ or $V_{CC}$ , for $2.5 V < V_{CC} \leq 5.5 V$	-	1	$\mu A$
$V_{IL}$	Input low voltage (SDA, SCL, $\overline{WC}$ )		-0.45	$0.3V_{CC}$	V
$V_{IH}$	Input high voltage (SDA, SCL, $\overline{WC}$ )		$0.7V_{CC}$	$V_{CC}+1$	V
$V_{OL}$	Output low voltage	$I_{OL} = 2.1 mA$ when $V_{CC} = 2.5 V$ or $I_{OL} = 3 mA$ when $V_{CC} = 5.5 V$	-	0.4	V

1. The device is not selected after a power-up, after a read command (after the Stop condition), or after the completion of the internal write cycle  $t_w$  ( $t_w$  is triggered by the correct decoding of a write command).

**Table 10. DC characteristics (M24Cxx-R)**

Symbol	Parameter	Test condition (in addition to those in <a href="#">Table 7</a> )	Min.	Max.	Unit
$I_{LI}$	Input leakage current (SCL, SDA, E0, E1, and E2)	$V_{IN} = V_{SS}$ or $V_{CC}$ , device in Standby mode	-	$\pm 2$	$\mu A$
$I_{LO}$	Output leakage current	SDA in Hi-Z, external voltage applied on SDA: $V_{SS}$ or $V_{CC}$	-	$\pm 2$	$\mu A$
$I_{CC}$	Supply current	$V_{CC} = 1.8 V$ , $f_c = 400 kHz$ (rise/fall time < 50 ns)	-	0.8	mA
$I_{CC1}$	Standby supply current	Device not selected <sup>(1)</sup> , $V_{IN} = V_{SS}$ or $V_{CC}$ , $V_{CC} = 1.8 V$	-	1	$\mu A$
$V_{IL}$	Input low voltage (SDA, SCL, $\overline{WC}$ )	$2.5 V \leq V_{CC}$	-0.45	$0.3 V_{CC}$	V
		$1.8 V \leq V_{CC} < 2.5 V$	-0.45	$0.25 V_{CC}$	V
$V_{IH}$	Input high voltage (SDA, SCL, $\overline{WC}$ )		$0.7V_{CC}$	$V_{CC}+1$	V
$V_{OL}$	Output low voltage	$I_{OL} = 0.7 mA$ , $V_{CC} = 1.8 V$	-	0.2	V

1. The device is not selected after a power-up, after a read command (after the Stop condition), or after the completion of the internal write cycle  $t_w$  ( $t_w$  is triggered by the correct decoding of a write command).



Table 13. Input parameters

Symbol	Parameter <sup>(1)</sup>	Test condition	Min.	Max.	Unit
C <sub>IN</sub>	Input capacitance (SDA)		-	8	pF
C <sub>IN</sub>	Input capacitance (other pins)		-	6	pF
Z <sub>WCL</sub>	$\overline{WC}$ input impedance	V <sub>IN</sub> < 0.3 V	15	70	kΩ
Z <sub>WCH</sub>	$\overline{WC}$ input impedance	V <sub>IN</sub> > 0.7V <sub>CC</sub>	500	-	kΩ
t <sub>NS</sub>	Pulse width ignored (input filter on SCL and SDA)	Single glitch	-	100	ns

1. Characterized only.

Table 14. AC characteristics at 400 kHz (I<sup>2</sup>C Fast mode) (M24Cxx-W, M24Cxx-R, M24Cxx-F)

Test conditions specified in <a href="#">Section 6: DC and AC parameters</a>					
Symbol	Alt.	Parameter	Min. <sup>(1)</sup>	Max. <sup>(1)</sup>	Unit
f <sub>C</sub>	f <sub>SCL</sub>	Clock frequency	-	400	kHz
t <sub>CHCL</sub>	t <sub>HIGH</sub>	Clock pulse width high	600	-	ns
t <sub>CLCH</sub>	t <sub>LOW</sub>	Clock pulse width low	1300	-	ns
t <sub>QL1QL2</sub> <sup>(2)</sup>	t <sub>F</sub>	SDA (out) fall time	20 <sup>(3)</sup>	120	ns
t <sub>XH1XH2</sub>	t <sub>R</sub>	Input signal rise time	(4)	(4)	ns
t <sub>XL1XL2</sub>	t <sub>F</sub>	Input signal fall time	(4)	(4)	ns
t <sub>DXCX</sub>	t <sub>SU:DAT</sub>	Data in set up time	100	-	ns
t <sub>CLDX</sub>	t <sub>HD:DAT</sub>	Data in hold time	0	-	ns
t <sub>CLQX</sub> <sup>(5)</sup>	t <sub>DH</sub>	Data out hold time	100	-	ns
t <sub>CLQV</sub> <sup>(6)</sup>	t <sub>AA</sub>	Clock low to next data valid (access time)	200	900	ns
t <sub>CHDL</sub>	t <sub>SU:STA</sub>	Start condition setup time	600	-	ns
t <sub>DLCL</sub>	t <sub>HD:STA</sub>	Start condition hold time	600	-	ns
t <sub>CHDH</sub>	t <sub>SU:STO</sub>	Stop condition set up time	600	-	ns
t <sub>DHDL</sub>	t <sub>BUF</sub>	Time between Stop condition and next Start condition	1300	-	ns
t <sub>W</sub>	t <sub>WR</sub>	Write time	-	5	ms

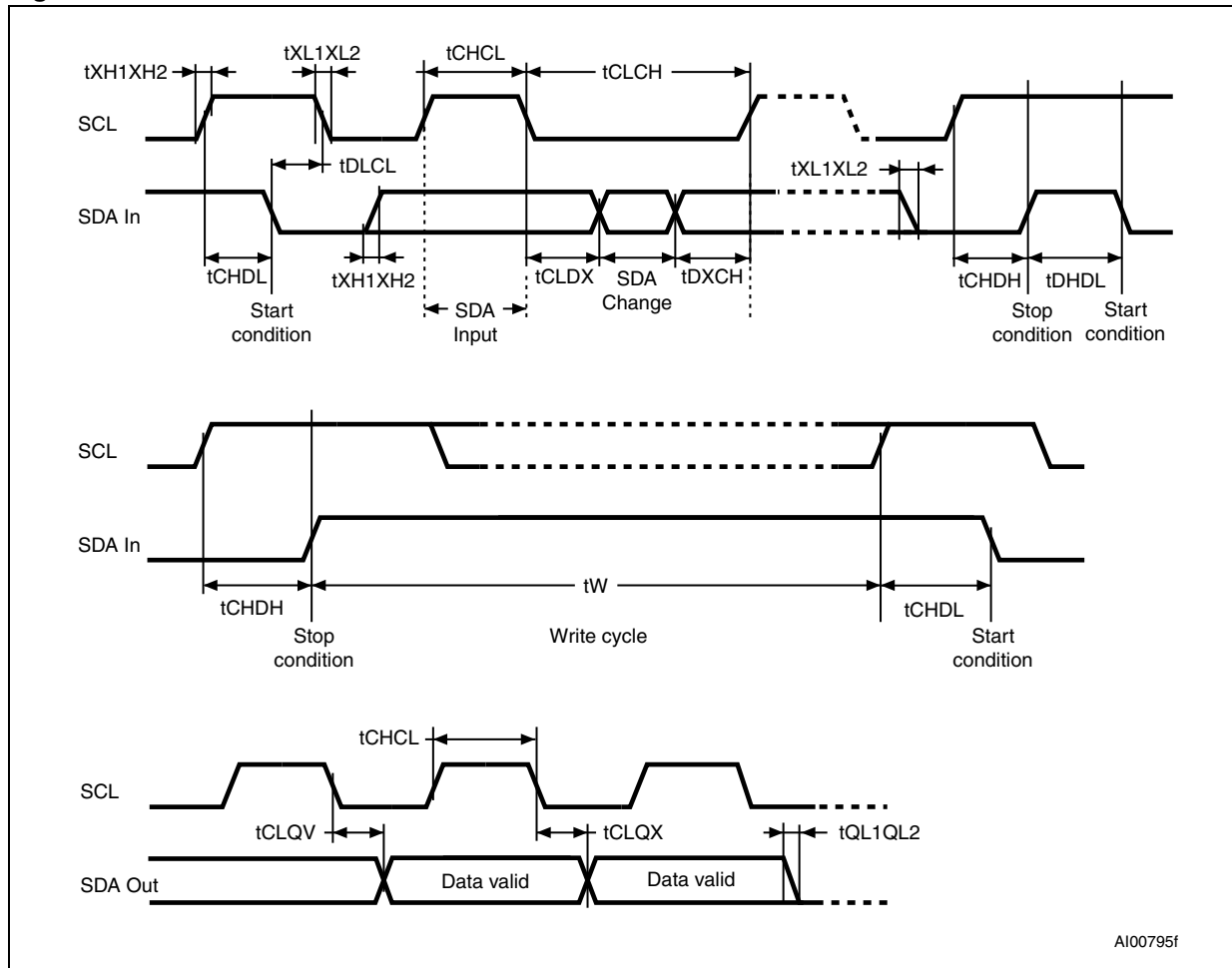
1. All values are referred to V<sub>IL</sub>(max) and V<sub>IH</sub>(min).
2. Characterized only, not tested in production.
3. With C<sub>L</sub> = 10 pF.
4. There is no min. or max. values for the input signal rise and fall times. It is however recommended by the I<sup>2</sup>C specification that the input signal rise and fall times be more than 20 ns and less than 300 ns when f<sub>C</sub> < 400 kHz.
5. To avoid spurious Start and Stop conditions, a minimum delay is placed between SCL=1 and the falling or rising edge of SDA.
6. t<sub>CLOV</sub> is the time (from the falling edge of SCL) required by the SDA bus line to reach either 0.3V<sub>CC</sub> or 0.7V<sub>CC</sub>, assuming that R<sub>bus</sub> × C<sub>bus</sub> time constant is within the values specified in [Figure 5](#).

**Table 15. AC characteristics at 100 kHz (I<sup>2</sup>C Standard mode)<sup>(1)</sup> (M24Cxx-W, M24Cxx-R, M24Cxx-F)**

Test conditions specified in <a href="#">Section 6: DC and AC parameters</a>					
Symbol	Alt.	Parameter	Min.	Max.	Unit
f <sub>C</sub>	f <sub>SCL</sub>	Clock frequency	-	100	kHz
t <sub>CHCL</sub>	t <sub>HIGH</sub>	Clock pulse width high	4	-	μs
t <sub>CLCH</sub>	t <sub>LOW</sub>	Clock pulse width low	4.7	-	μs
t <sub>XH1XH2</sub>	t <sub>R</sub>	Input signal rise time	-	1	μs
t <sub>XL1XL2</sub>	t <sub>F</sub>	Input signal fall time	-	300	ns
t <sub>QL1QL2</sub> <sup>(2)</sup>	t <sub>F</sub>	SDA fall time	-	300	ns
t <sub>DXCX</sub>	t <sub>SU:DAT</sub>	Data in setup time	250	-	ns
t <sub>CLDX</sub>	t <sub>HD:DAT</sub>	Data in hold time	0	-	ns
t <sub>CLQX</sub> <sup>(3)</sup>	t <sub>DH</sub>	Data out hold time	200	-	ns
t <sub>CLQV</sub>	t <sub>AA</sub>	Clock low to next data valid (access time)	200	3450	ns
t <sub>CHDX</sub> <sup>(4)</sup>	t <sub>SU:STA</sub>	Start condition setup time	4.7	-	μs
t <sub>DLCL</sub>	t <sub>HD:STA</sub>	Start condition hold time	4	-	μs
t <sub>CHDH</sub>	t <sub>SU:STO</sub>	Stop condition setup time	4	-	μs
t <sub>DHDL</sub>	t <sub>BUF</sub>	Time between Stop condition and next Start condition	4.7	-	μs
t <sub>W</sub>	t <sub>WR</sub>	Write time	-	5	ms

1. Values recommended by the I<sup>2</sup>C bus Standard-mode specification for a robust design of the I<sup>2</sup>C bus application. Note that the M24xxx devices decode correctly faster timings as specified in [Table 14: AC characteristics at 400 kHz \(I<sup>2</sup>C Fast mode\) \(M24Cxx-W, M24Cxx-R, M24Cxx-F\)](#).
2. Characterized only.
3. To avoid spurious Start and Stop conditions, a minimum delay is placed between SCL=1 and the falling or rising edge of SDA.
4. For a reStart condition, or following a Write cycle.

Figure 12. AC waveforms

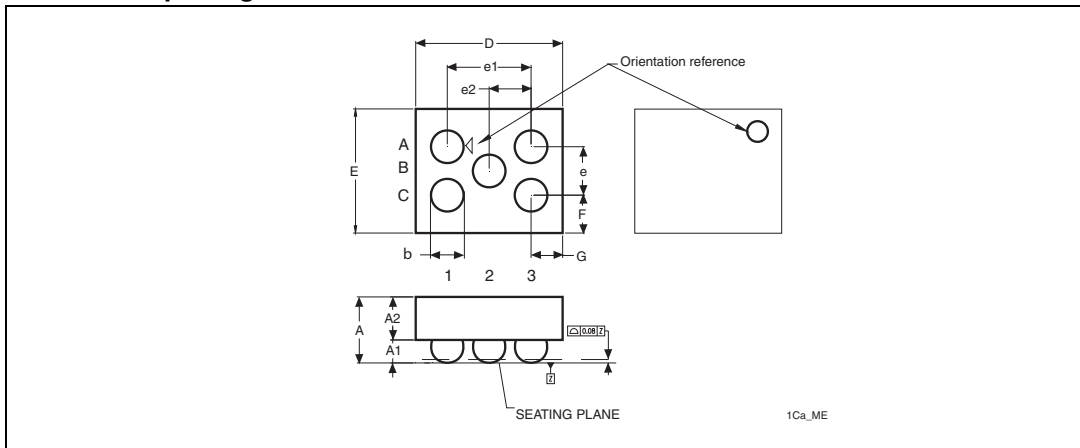




# 7 Package mechanical data

In order to meet environmental requirements, ST offers these devices in different grades of ECOPACK<sup>®</sup> packages, depending on their level of environmental compliance. ECOPACK<sup>®</sup> specifications, grade definitions and product status are available at: [www.st.com](http://www.st.com). ECOPACK<sup>®</sup> is an ST trademark.

**Figure 13. WLCSP (0.5 mm) and Thin WLCSP (0.3 mm) 0.4 mm pitch 5 bumps, package outline**



1. Drawing is not to scale.

**Table 16. M24C08: WLCSP (0.5 mm height) 0.4 mm pitch, 5 bumps, package data**

Symbol	millimeters			inches <sup>(1)</sup>		
	Typ	Min	Max	Typ	Min	Max
A	0.545	0.495	0.595	0.0215	0.0195	0.0234
A1	0.190	0.165	0.215	0.0075	0.0065	0.0085
A2	0.355	0.330	0.380	0.0140	0.0130	0.0150
b	0.270	0.240	0.300	0.0106	0.0094	0.0118
D	1.215	1.195	1.235	0.0478	0.0470	0.0486
E	1.025	1.005	1.045	0.0404	0.0396	0.0411
e	0.400	-	-	0.0157	-	-
e1	0.693	-	-	0.0273	-	-
e2	0.346	-	-	0.0136	-	-
F	0.313	-	-	0.0123	-	-
G	0.261	-	-	0.0103	-	-
N <sup>(2)</sup>	5			5		

1. Values in inches are converted from mm and rounded to 4 decimal digits.

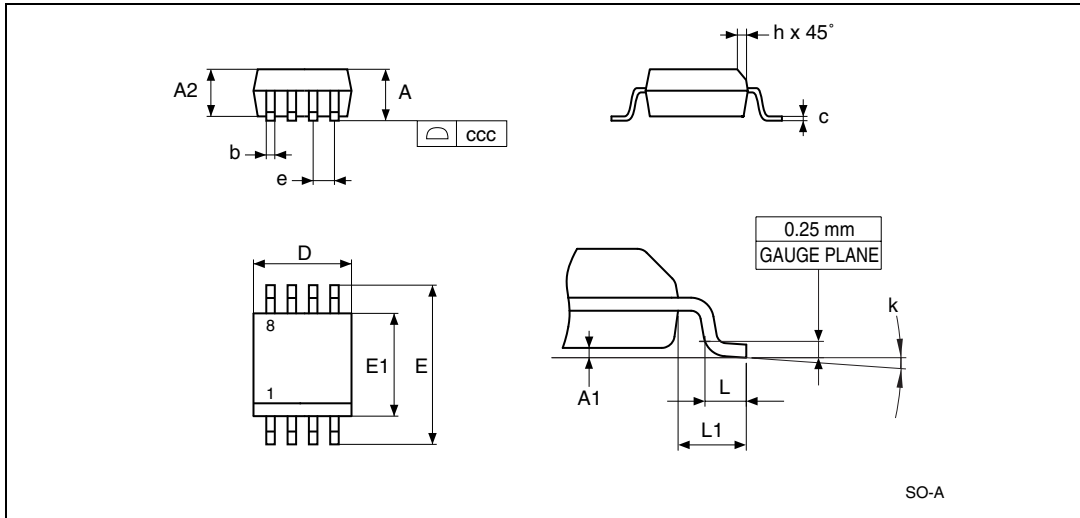
2. N is the total number of terminals.

**Table 17. M24C08: Thin WLCSP (0.3 mm height), 0.4 mm pitch, 5 bumps, package data<sup>(1)</sup>**

Symbol	millimeters			inches <sup>(2)</sup>		
	Typ	Min	Max	Typ	Min	Max
A	0.300	0.270	0.330	0.0118	0.0096	0.0140
A1	0.100	-	-	0.0039	-	-
A2	0.200	-	-	0.0079	-	-
b	0.160	-	-	0.0063	-	-
D	1.215	-	1.340	0.0478	-	0.0528
E	1.025	-	1.150	0.0404	-	0.0453
e	0.400	-	-	0.0157	-	-
e1	0.693	-	-	0.0273	-	-
e2	0.346	-	-	0.0136	-	-
F	0.313	-	-	0.0123	-	-
G	0.261	-	-	0.0103	-	-
N <sup>(3)</sup>	5			5		

1. Preliminary data.
2. Values in inches are converted from mm and rounded to 4 decimal digits.
3. N is the total number of terminals.

**Figure 14. SO8 narrow – 8 lead plastic small outline, 150 mils body width, package outline**



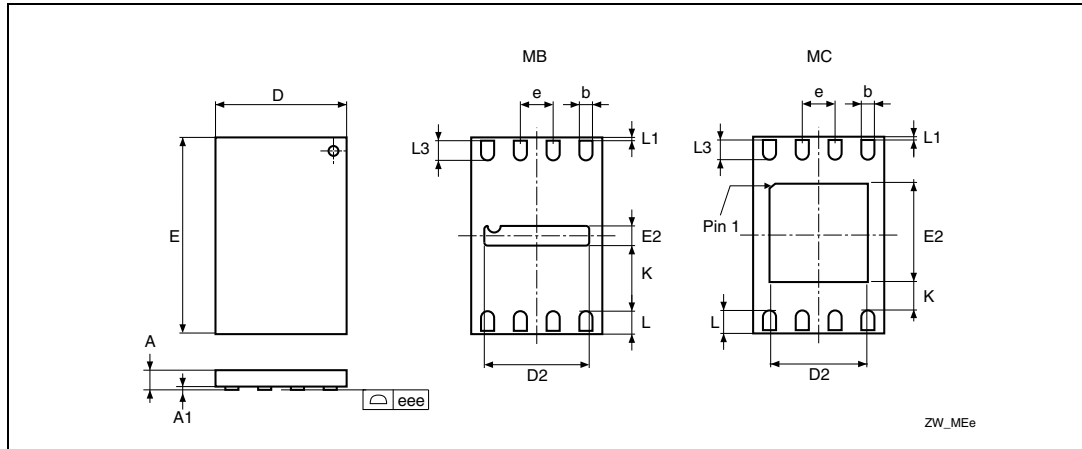
1. Drawing is not to scale.
2. The “1” that appears in the top view of the package shows the position of pin 1 and the “N” indicates the total number of pins.

**Table 18. SO8 narrow – 8 lead plastic small outline, 150 mils body width, package mechanical data**

Symbol	millimeters			inches <sup>(1)</sup>		
	Typ	Min	Max	Typ	Min	Max
A	-	-	1.750	-	-	0.0689
A1	-	0.100	0.250	-	0.0039	0.0098
A2	-	1.250	-	-	0.0492	-
b	-	0.280	0.480	-	0.0110	0.0189
c	-	0.170	0.230	-	0.0067	0.0091
ccc	-	-	0.100	-	-	0.0039
D	4.900	4.800	5	0.1929	0.1890	0.1969
E	6.000	5.800	6.200	0.2362	0.2283	0.2441
E1	3.900	3.800	4.000	0.1535	0.1496	0.1575
e	1.270	-	-	0.0500	-	-
h	-	0.250	0.500	-	0.0098	0.0197
k	-	0°	8°	-	0°	8°
L	-	0.400	1.270	-	0.0157	0.0500
L1	1.040			0.0409		

1. Values in inches are converted from mm and rounded to 4 decimal digits.

**Figure 15. UFDFPN8 (MLP8) 8-lead ultra thin fine pitch dual flat package no lead 2 x 3 mm, outline**



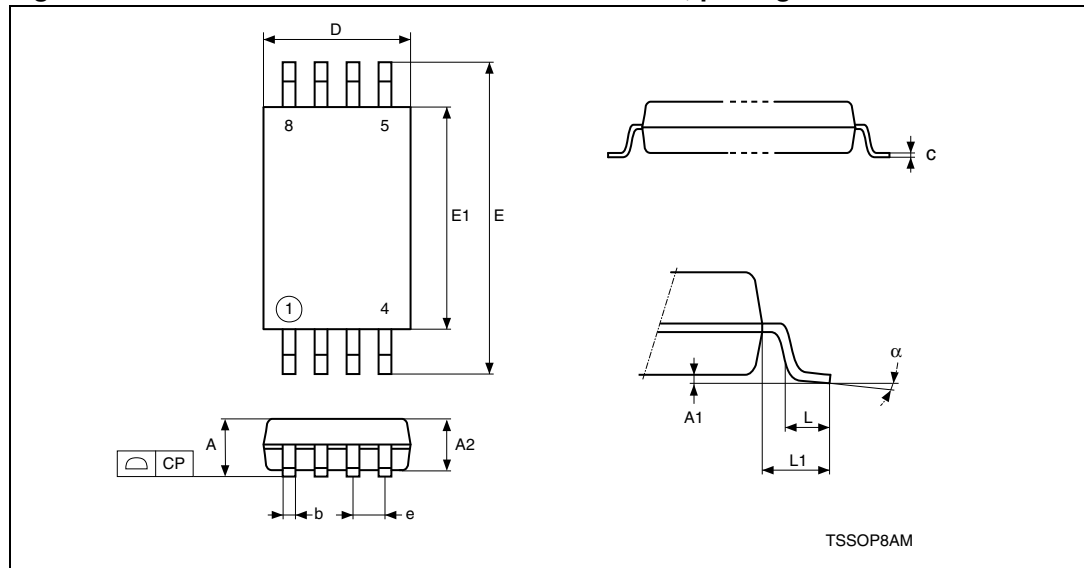
1. Drawing is not to scale.
2. The central pad (the area E2 by D2 in the above illustration) is pulled, internally, to  $V_{SS}$ . It must not be allowed to be connected to any other voltage or signal line on the PCB, for example during the soldering process.
3. The circle in the top view of the package indicates the position of pin 1.

**Table 19. UFDFPN8 (MLP8) 8-lead ultra thin fine pitch dual flat package no lead 2 x 3 mm, data**

Symbol	millimeters			inches <sup>(1)</sup>			Note
	Typ	Min	Max	Typ	Min	Max	
A	0.550	0.450	0.600	0.0217	0.0177	0.0236	
A1	0.020	0.000	0.050	0.0008	0.0000	0.0020	
b	0.250	0.200	0.300	0.0098	0.0079	0.0118	
D	2.000	1.900	2.100	0.0787	0.0748	0.0827	
D2 (MB)	1.600	1.500	1.700	0.0630	0.0591	0.0669	
D2 (MC)	-	1.200	1.600	-	0.0472	0.0630	
E	3.000	2.900	3.100	0.1181	0.1142	0.1220	
E2 (MB)	0.200	0.100	0.300	0.0079	0.0039	0.0118	
E2 (MC)	-	1.200	1.600	-	0.0472	0.0630	
e	0.500	-	-	0.0197	-	-	
K	-	0.300	-	-	0.0118	-	
L	-	0.300	0.500	-	0.0118	0.0197	
L1	-	-	0.150	-	-	0.0059	
L3	-	0.300	-	-	0.0118	-	
eee	0.080			0.0031			(2)

1. Values in inches are converted from mm and rounded to 4 decimal digits.
2. Applied for exposed die paddle and terminals. Excludes embedding part of exposed die paddle from measuring.

Figure 16. TSSOP8 – 8 lead thin shrink small outline, package outline



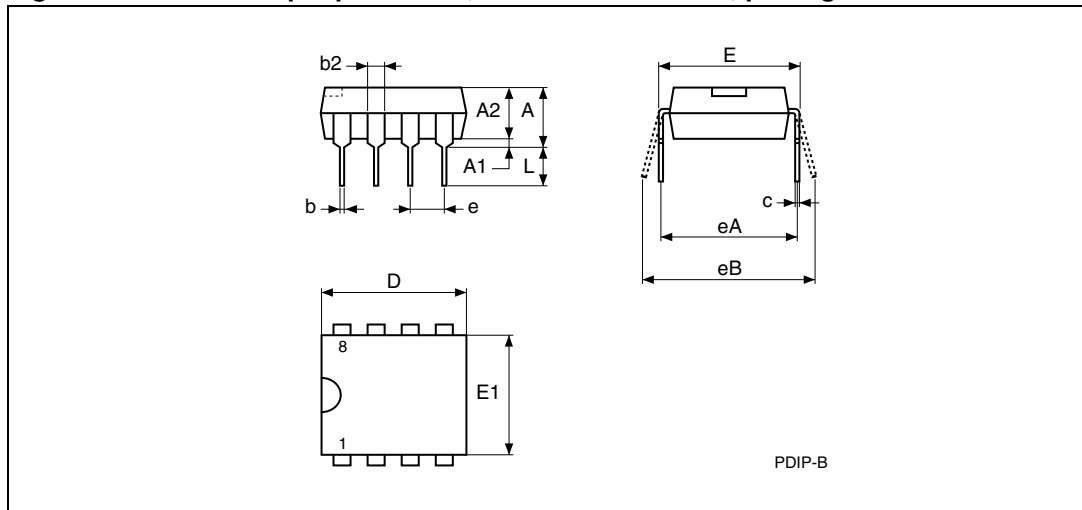
1. Drawing is not to scale.
2. The circle in the top view of the package indicates the position of pin 1.

Table 20. TSSOP8 – 8 lead thin shrink small outline, package mechanical data

Symbol	millimeters			inches <sup>(1)</sup>		
	Typ.	Min.	Max.	Typ.	Min.	Max.
A	-	-	1.200	-	-	0.0472
A1	-	0.050	0.150	-	0.0020	0.0059
A2	1.000	0.800	1.050	0.0394	0.0315	0.0413
b	-	0.190	0.300	-	0.0075	0.0118
c	-	0.090	0.200	-	0.0035	0.0079
CP	-	-	0.100	-	-	0.0039
D	3.000	2.900	3.100	0.1181	0.1142	0.1220
e	0.650	-	-	0.0256	-	-
E	6.400	6.200	6.600	0.2520	0.2441	0.2598
E1	4.400	4.300	4.500	0.1732	0.1693	0.1772
L	0.600	0.450	0.750	0.0236	0.0177	0.0295
L1	1.000	-	-	0.0394	-	-
α	-	0°	8°	-	0°	8°

1. Values in inches are converted from mm and rounded to 4 decimal digits.

Figure 17. PDIP8 – 8 pin plastic DIP, 0.25 mm lead frame, package outline



1. Drawing is not to scale.

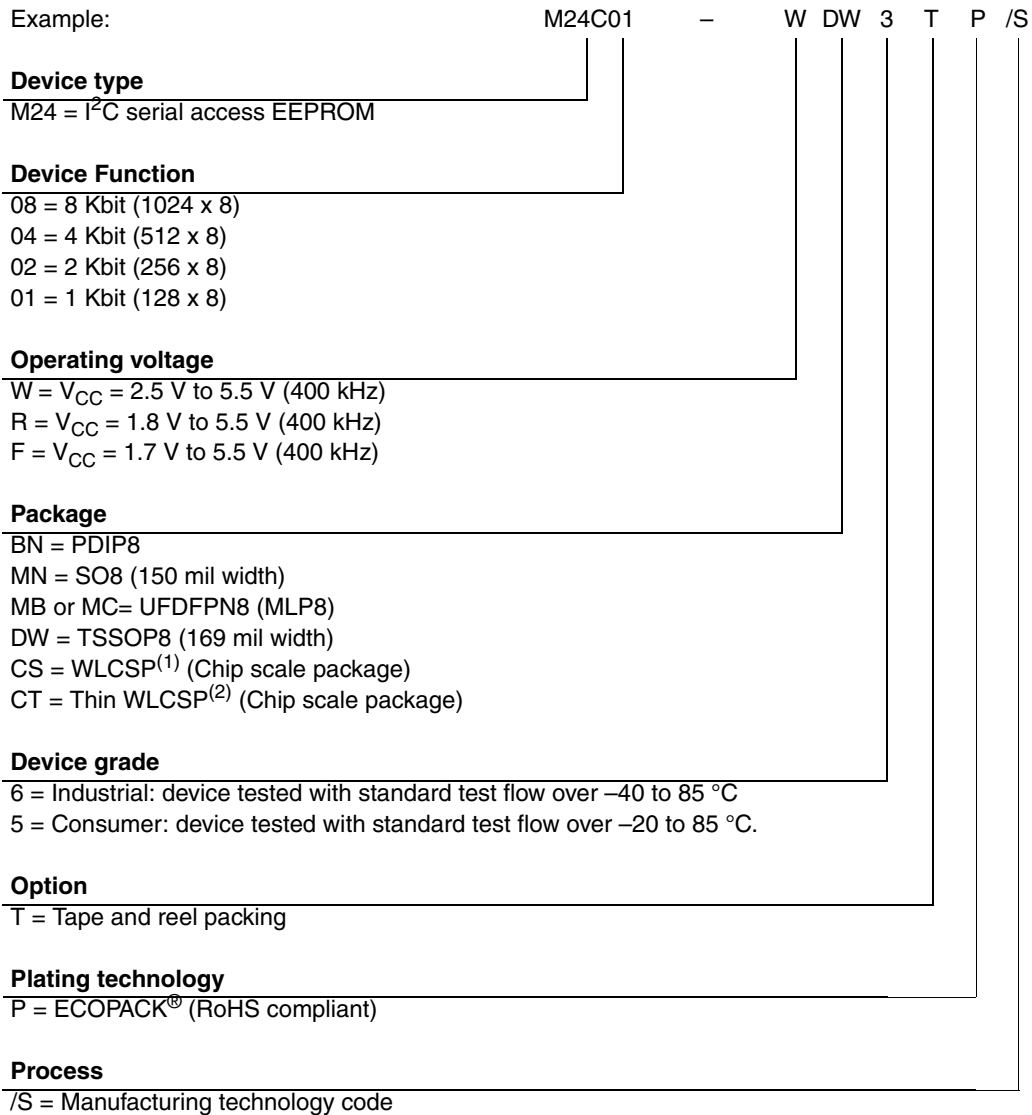
Table 21. PDIP8 – 8 pin plastic DIP, 0.25 mm lead frame, package mechanical data

Symbol	millimeters			inches <sup>(1)</sup>		
	Typ.	Min.	Max.	Typ.	Min.	Max.
A	-	-	5.330	-	-	0.2098
A1	-	0.380	-	-	0.0150	-
A2	3.300	2.920	4.950	0.1299	0.1150	0.1949
b	0.460	0.360	0.560	0.0181	0.0142	0.0220
b2	1.520	1.140	1.780	0.0598	0.0449	0.0701
c	0.250	0.200	0.360	0.0098	0.0079	0.0142
D	9.270	9.020	10.160	0.3650	0.3551	0.4000
E	7.870	7.620	8.260	0.3098	0.3000	0.3252
E1	6.350	6.100	7.110	0.2500	0.2402	0.2799
e	2.540	-	-	0.1000	-	-
eA	7.600	-	-	0.3000	-	-
eB	-	-	10.920	-	-	0.4299
L	3.300	2.920	3.810	0.1299	0.1150	0.1500

1. Values in inches are converted from mm and rounded to 4 decimal digits.

# 8 Part numbering

**Table 22. Ordering information scheme**



1. Only M24C08-x and Root Part Number 1 devices are offered in the WLCSP package.
2. Only M24C08-x-F devices are offered in the Thin WLCSP package.

For a list of available options (speed, package, etc.) or for further information on any aspect of this device, please contact your nearest ST sales office.

## 9 Revision history

**Table 23. Document revision history**

Date	Version	Changes
10-Dec-1999	2.4	TSSOP8 Turned-Die package removed (p 2 and order information) Lead temperature added for TSSOP8 in table 2
18-Apr-2000	2.5	Labelling change to Fig-2D, correction of values for 'E' and main caption for Tab-13
05-May-2000	2.6	Extra labelling to Fig-2D
23-Nov-2000	3.0	SBGA package information removed to an annex document -R range changed to being the -S range, and the new -R range added
19-Feb-2001	3.1	SBGA package information put back in this document Lead Soldering Temperature in the Absolute Maximum Ratings table amended Write Cycle Polling Flow Chart using ACK illustration updated References to PSDIP changed to PDIP and Package Mechanical data updated Wording brought in to line with standard glossary
20-Apr-2001	3.2	Revision of DC and AC characteristics for the -S series
08-Oct-2001	3.3	Ball numbers added to the SBGA connections and package mechanical illustrations
09-Nov-2001	3.4	Specification of Test Condition for Leakage Currents in the DC Characteristics table improved
30-Jul-2002	3.5	Document reformatted using new template. SBGA5 package removed TSSOP8 (3x3mm <sup>2</sup> body size) package (MSOP8) added. -L voltage range added
04-Feb-2003	3.6	Document title spelt out more fully. "W"-marked devices with $t_w=5ms$ added.
05-May-2003	3.7	-R voltage range upgraded to 400kHz working, and no longer preliminary data. 5V voltage range at temperature range 3 (-xx3) no longer preliminary data. -S voltage range removed. -Wxx3 voltage+temp ranged added as preliminary data.
07-Oct-2003	4.0	Table of contents, and Pb-free options added. Minor wording changes in Summary Description, Power-On Reset, Memory Addressing, Read Operations. $V_{IL}(\min)$ improved to -0.45V. $t_W(\max)$ value for -R voltage range corrected.
17-Mar-2004	5.0	MLP package added. Absolute Maximum Ratings for $V_{IO}(\min)$ and $V_{CC}(\min)$ changed. Soldering temperature information clarified for RoHS compliant devices. Device grade information clarified. Process identification letter "G" information added. 2.2-5.5V range is removed, and 4.5-5.5V range is now Not for New Design



Date	Version	Changes
7-Oct-2005	6.0	Product List summary table added. AEC-Q100-002 compliance. Device Grade information clarified. Updated <a href="#">Device internal reset</a> section, <a href="#">Figure 4</a> , <a href="#">Figure 5</a> , <a href="#">Table 16</a> and <a href="#">Table 22</a> Added ECOPACK® information. Updated $t_W=5\text{ms}$ for the M24Cxx-W.
17-Jan-2006	7.0	Pin numbers removed from silhouettes (see on page 1). <a href="#">Internal Device Reset</a> paragraph moved to below <a href="#">Section 2.4: Supply voltage (VCC)</a> . <a href="#">Section 2.4: Supply voltage (VCC)</a> added below <a href="#">Section 2: Signal description</a> . Test conditions for $V_{OL}$ updated in <a href="#">Table 9</a> and <a href="#">Table 13</a> SO8N package specifications updated (see <a href="#">Table 18</a> ) New definition of $I_{CC1}$ over the whole $V_{CC}$ range (see <a href="#">Tables 9</a> , <a href="#">13</a> and <a href="#">10</a> ).
19-Sep-2006	8	Document converted to new ST template. SO8 and UFDFPN8 package specifications updated (see <a href="#">Section 7: Package mechanical data</a> ). <a href="#">Section 2.4: Supply voltage (VCC)</a> clarified. $I_{LI}$ value given with the device in Standby mode in <a href="#">Tables 9</a> , <a href="#">13</a> and <a href="#">10</a> . Information given in <a href="#">Table 16: AC characteristics (M24Cxx-R and M24Cxx-F)</a> are no longer preliminary data.
03-Aug-2007	9	1.7 V to 5.5 V $V_{CC}$ voltage range added (Root Part Number 1-F, M24C08-x-F, M24C04-x-F part numbers added; <a href="#">Table 8</a> and <a href="#">Table 11</a> added). <a href="#">Section 2.4: Supply voltage (VCC)</a> modified. <a href="#">Note 1</a> updated to latest standard revision in <a href="#">Table 5: Absolute maximum ratings</a> . Rise/fall time conditions for $I_{CC}$ modified in <a href="#">Table 9</a> , <a href="#">Table 13</a> and <a href="#">Table 10</a> . $I_{CC1}$ conditions modified in <a href="#">Table 10: DC characteristics (M24Cxx-R)</a> . Note removed below <a href="#">Table 13: Input parameters</a> . $t_W$ modified for M24Cxx-R in <a href="#">Table 16</a> , note added. TSSOP8 (DS) package specifications updated (see <a href="#">Table 23</a> and <a href="#">Figure 17</a> ). Added: <a href="#">Table 25</a> , <a href="#">Table 26</a> , <a href="#">Table 27</a> , <a href="#">Table 28</a> and <a href="#">Table 29</a> summarizing all available products. <a href="#">Table 22: Ordering information scheme</a> : Blank option removed under Plating technology, /W removed under Process.
27-Sep-2007	10	<a href="#">Section 2.3: Chip Enable (E0, E1, E2)</a> updated. Concerned signals specified for $V_{IL}$ and $V_{IH}$ parameters, and note removed in DC characteristics tables ( <a href="#">Table 9</a> , <a href="#">Table 13</a> , <a href="#">Table 10</a> and <a href="#">Table 11</a> ). $t_W$ modified in <a href="#">Table 16: AC characteristics (M24Cxx-R and M24Cxx-F)</a> . M24C08-F and M24C04-F offered in UFDFPN8 package in the temperature range 5 (see <a href="#">Table 26</a> and <a href="#">Table 27</a> ).

Date	Version	Changes
30-Jan-2009	11	<p><i>Section 2.4: Supply voltage (VCC)</i> clarified.</p> <p><i>Figure 5: I2C Fast mode (fC = 400 kHz): maximum Rbus value versus bus parasitic capacitance (Cbus)</i> updated.</p> <p>I<sub>OL</sub> added to <i>Table 5: Absolute maximum ratings</i>. ICC1 test conditions clarified in DC characteristics <i>Table 9</i>, <i>Table 13</i>, <i>Table 10</i> and <i>Table 11</i>.</p> <p>Note modified below <i>Table 13: Input parameters</i>.</p> <p>t<sub>XH1XH2</sub> and t<sub>XL1XL2</sub> added to <i>Table 14: AC characteristics at 400 kHz (I2C Fast mode) (M24Cxx-W, M24Cxx-R, M24Cxx-F)</i>, note 4 removed.</p> <p><i>Figure 12: AC waveforms</i> updated.</p> <p>WLCSP package added (refer to <i>Figure 3</i> and <i>Section 7: Package mechanical data</i>).</p> <p>In <i>Section 7: Package mechanical data</i>:</p> <ul style="list-style-type: none"> <li>– ECOPACK text added</li> <li>– inch values calculated from millimeters and rounded to four decimal digits</li> <li>– UDFPN package specifications updated</li> </ul> <p>Small text changes.</p>
11-Mar-2009	12	<p>Timings for 100 kHz I<sup>2</sup>C Standard-mode added (see <i>Table 15: AC characteristics at 100 kHz (I2C Standard mode) (M24Cxx-W, M24Cxx-R, M24Cxx-F)</i>).</p>
28-May-2009	13	<p>Added Thin WLCSP package.</p> <p>Added <i>Table 18: M24C16: WLCSP (0.5 mm height) 0.4 mm pitch, 5 bumps, package data</i>.</p> <p>Updated available devices in <i>Table 25</i>, <i>Table 26</i>, <i>Table 27</i>, <i>Table 28</i>, and <i>Table 29</i>.</p>
02-Mar-2010	14	<p>Package ECOPACK1 or ECOPACK2 category specified.</p> <p><i>Section 3.1: Start condition</i> and <i>Section 3.6: Write operations</i> updated.</p> <p>I<sub>LO</sub> test conditions modified in <i>Table 9: DC characteristics (M24Cxx-W, device grade 6)</i>, <i>Table 13: DC characteristics</i> and <i>Table 10: DC characteristics (M24Cxx-R)</i>.</p> <p><i>Table 14: AC characteristics at 400 kHz (I2C Fast mode) (M24Cxx-W, M24Cxx-R, M24Cxx-F)</i> modified.</p> <p>t<sub>DL1DL2</sub> renamed as t<sub>QL1QL2</sub> in <i>Table 15: AC characteristics at 100 kHz (I2C Standard mode) (M24Cxx-W, M24Cxx-R, M24Cxx-F)</i>.</p> <p><i>Figure 12: AC waveforms</i> updated.</p>
01-Apr-2010	15	<p>Updated <i>Figure 15: UDFPN8 (MLP8) 8-lead ultra thin fine pitch dual flat package no lead 2 x 3 mm, outline</i> and <i>Table 19 on page 29</i>.</p> <p>Updated <i>Table 12: AC measurement conditions</i>.</p> <p>Updated <i>Table 25</i> to <i>Table 27</i>.</p>

Date	Version	Changes
29-Apr-2010	16	<p>Deleted TSSOP8 3x3 mm package from cover page.</p> <p>Deleted Figure and Table relating to TSSOP8 3x3 mm package information.</p> <p>Deleted line and note in <a href="#">Table 22: Ordering information scheme</a> concerning TSSOP8 3x3 mm package.</p> <p>In <a href="#">Table 26: Available M24C08 products (package, voltage range, temperature grade)</a> updated UFDFPN8 (MC) package for M24C08-F range to 5 and deleted line concerning TSSOP8 3x3 mm package.</p> <p>In <a href="#">Table 27: Available M24C04 products (package, voltage range, temperature grade)</a> updated UFDFPN8 (MC) package for M24C08-F range to 5.</p> <p>In <a href="#">Table 28: Available M24C02 products (package, voltage range, temperature grade)</a> updated UFDRPN8 options to MB or MC.</p>
15-Apr-2011	17	<p>Updated:</p> <ul style="list-style-type: none"> <li>- Text modified in <a href="#">Section 2.3: Chip Enable (E0, E1, E2)</a>.</li> <li>- Text modified in <a href="#">Section 3.6: Write operations</a>.</li> <li>- <math>V_{ESD}</math> minimum value deleted of <a href="#">Table 5: Absolute maximum ratings</a>.</li> <li>- <a href="#">Figure 15: UFDFPN8 (MLP8) 8-lead ultra thin fine pitch dual flat package no lead 2 x 3 mm, outline</a>.</li> <li>- E2 (Rev MC): “ddd” has been changed to “eee” and its values modified in <a href="#">Table 19: UFDFPN8 (MLP8) 8-lead ultra thin fine pitch dual flat package no lead 2 x 3 mm, data</a>.</li> </ul> <p>Added:</p> <ul style="list-style-type: none"> <li>- Note at the end of the <a href="#">Section 1: Description</a>.</li> <li>- Figure footnote below the <a href="#">Figure 3: WLCSP and thin WLCSP connections (top view, marking side, with balls on the underside)</a>.</li> </ul>
27-Jul-2012	18	<p>Removed M24C16-x and M24xxx range 3 devices.</p> <p>M24C01-F and M24C02-F RPNs removed from <a href="#">Table 1: Device summary</a>.</p>

**Please Read Carefully:**

Information in this document is provided solely in connection with ST products. STMicroelectronics NV and its subsidiaries ("ST") reserve the right to make changes, corrections, modifications or improvements, to this document, and the products and services described herein at any time, without notice.

All ST products are sold pursuant to ST's terms and conditions of sale.

Purchasers are solely responsible for the choice, selection and use of the ST products and services described herein, and ST assumes no liability whatsoever relating to the choice, selection or use of the ST products and services described herein.

No license, express or implied, by estoppel or otherwise, to any intellectual property rights is granted under this document. If any part of this document refers to any third party products or services it shall not be deemed a license grant by ST for the use of such third party products or services, or any intellectual property contained therein or considered as a warranty covering the use in any manner whatsoever of such third party products or services or any intellectual property contained therein.

**UNLESS OTHERWISE SET FORTH IN ST'S TERMS AND CONDITIONS OF SALE ST DISCLAIMS ANY EXPRESS OR IMPLIED WARRANTY WITH RESPECT TO THE USE AND/OR SALE OF ST PRODUCTS INCLUDING WITHOUT LIMITATION IMPLIED WARRANTIES OF MERCHANTABILITY, FITNESS FOR A PARTICULAR PURPOSE (AND THEIR EQUIVALENTS UNDER THE LAWS OF ANY JURISDICTION), OR INFRINGEMENT OF ANY PATENT, COPYRIGHT OR OTHER INTELLECTUAL PROPERTY RIGHT.**

**UNLESS EXPRESSLY APPROVED IN WRITING BY TWO AUTHORIZED ST REPRESENTATIVES, ST PRODUCTS ARE NOT RECOMMENDED, AUTHORIZED OR WARRANTED FOR USE IN MILITARY, AIR CRAFT, SPACE, LIFE SAVING, OR LIFE SUSTAINING APPLICATIONS, NOR IN PRODUCTS OR SYSTEMS WHERE FAILURE OR MALFUNCTION MAY RESULT IN PERSONAL INJURY, DEATH, OR SEVERE PROPERTY OR ENVIRONMENTAL DAMAGE. ST PRODUCTS WHICH ARE NOT SPECIFIED AS "AUTOMOTIVE GRADE" MAY ONLY BE USED IN AUTOMOTIVE APPLICATIONS AT USER'S OWN RISK.**

Resale of ST products with provisions different from the statements and/or technical features set forth in this document shall immediately void any warranty granted by ST for the ST product or service described herein and shall not create or extend in any manner whatsoever, any liability of ST.

ST and the ST logo are trademarks or registered trademarks of ST in various countries.

Information in this document supersedes and replaces all information previously supplied.

The ST logo is a registered trademark of STMicroelectronics. All other names are the property of their respective owners.

© 2012 STMicroelectronics - All rights reserved

STMicroelectronics group of companies

Australia - Belgium - Brazil - Canada - China - Czech Republic - Finland - France - Germany - Hong Kong - India - Israel - Italy - Japan - Malaysia - Malta - Morocco - Philippines - Singapore - Spain - Sweden - Switzerland - United Kingdom - United States of America

[www.st.com](http://www.st.com)



**Please Read Carefully:**

Information in this document is provided solely in connection with ST products. STMicroelectronics NV and its subsidiaries ("ST") reserve the right to make changes, corrections, modifications or improvements, to this document, and the products and services described herein at any time, without notice.

All ST products are sold pursuant to ST's terms and conditions of sale.

Purchasers are solely responsible for the choice, selection and use of the ST products and services described herein, and ST assumes no liability whatsoever relating to the choice, selection or use of the ST products and services described herein.

No license, express or implied, by estoppel or otherwise, to any intellectual property rights is granted under this document. If any part of this document refers to any third party products or services it shall not be deemed a license grant by ST for the use of such third party products or services, or any intellectual property contained therein or considered as a warranty covering the use in any manner whatsoever of such third party products or services or any intellectual property contained therein.

**UNLESS OTHERWISE SET FORTH IN ST'S TERMS AND CONDITIONS OF SALE ST DISCLAIMS ANY EXPRESS OR IMPLIED WARRANTY WITH RESPECT TO THE USE AND/OR SALE OF ST PRODUCTS INCLUDING WITHOUT LIMITATION IMPLIED WARRANTIES OF MERCHANTABILITY, FITNESS FOR A PARTICULAR PURPOSE ( AND THEIR EQUIVALENTS UNDER THE LAWS OF ANY JURISDICTION ), OR INFRINGEMENT OF ANY PATENT, COPYRIGHT OR OTHER INTELLECTUAL PROPERTY RIGHT.**

**UNLESS EXPRESSLY APPROVED IN WRITING BY AN AUTHORIZED ST REPRESENTATIVE, ST PRODUCTS ARE NOT RECOMMENDED, AUTHORIZED OR WARRANTED FOR USE IN MILITARY, AIR CRAFT, SPACE, LIFE SAVING, OR LIFE SUSTAINING APPLICATIONS, NOR IN PRODUCTS OR SYSTEMS WHERE FAILURE OR MALFUNCTION MAY RESULT IN PERSONAL INJURY, DEATH, OR SEVERE PROPERTY OR ENVIRONMENTAL DAMAGE. ST PRODUCTS WHICH ARE NOT SPECIFIED AS "AUTOMOTIVE GRADE" MAY ONLY BE USED IN AUTOMOTIVE APPLICATIONS AT USER'S OWN RISK.**

Resale of ST products with provisions different from the statements and/or technical features set forth in this document shall immediately void any warranty granted by ST for the ST product or service described herein and shall not create or extend in any manner whatsoever, any liability of ST.

ST and the ST logo are trademarks or registered trademarks of ST in various countries.

Information in this document supersedes and replaces all information previously supplied.

The ST logo is a registered trademark of STMicroelectronics. All other names are the property of their respective owners

©2012 STMicroelectronics - All rights reserved.

STMicroelectronics group of companies

Australia - Belgium - Brazil - Canada - China - Czech Republic - Finland - France - Germany - Hong Kong - India - Israel - Italy - Japan - Malaysia - Malta - Morocco - Singapore - Spain - Sweden - Switzerland - United Kingdom - United States of America

[www.st.com](http://www.st.com)

