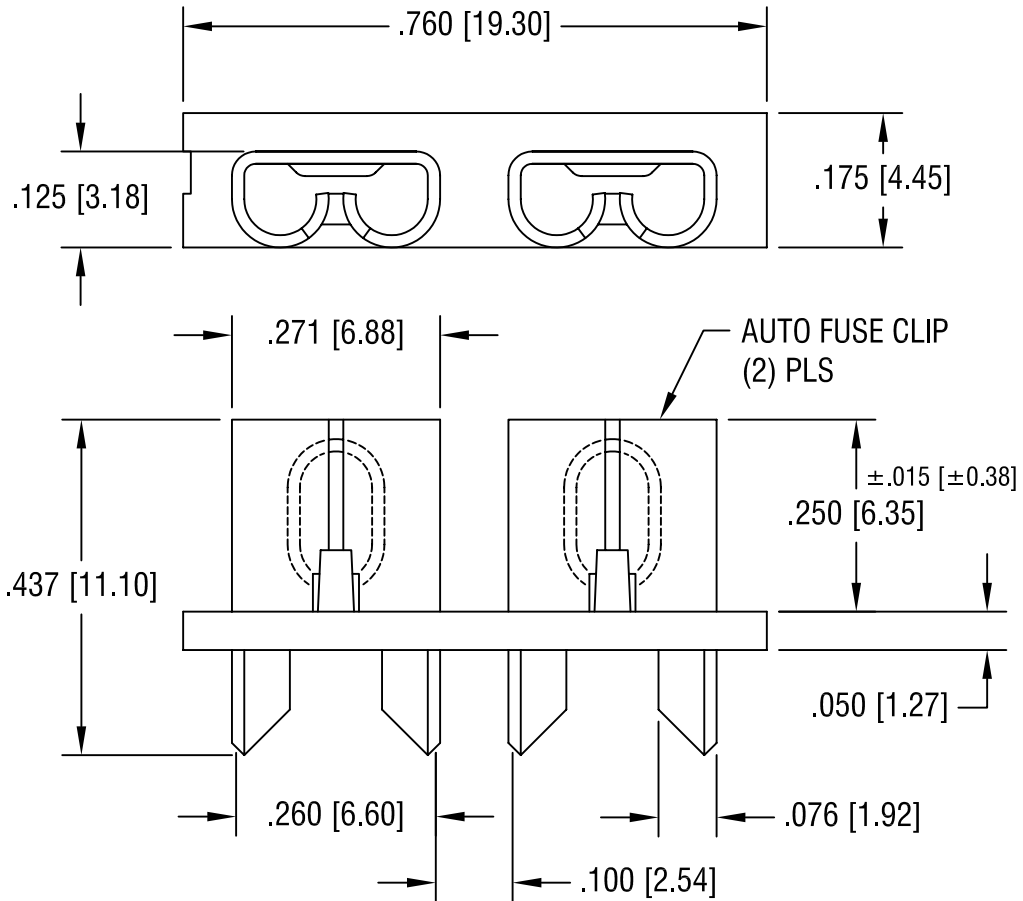
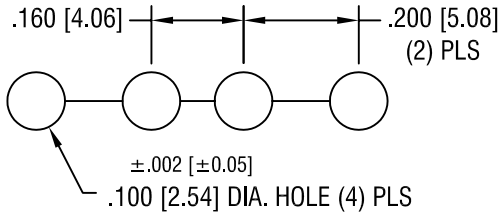


THIS DOCUMENT IS THE PROPERTY OF
KEYSTONE ELECTRONICS CORP. AND
SHALL NOT BE REPRODUCED, DISTRIBUTED
OR USED AS A BASIS FOR MANUFACTURE
WITHOUT PRIOR WRITTEN PERMISSION
FROM KEYSTONE ELECTRONICS CORP.

MOUNTING LAYOUT



NOTE:

CLIP: .016 [0.40] TH'K BRASS, TIN NICKEL PLATE
 BASE: MAT'L: GLASS FILLED NYLON, UL 94V-0
 CURRENT RATING: 30 AMPS
 VOLTAGE RATING: 500VAC
 TEMPERATURE RATING: -58°F TO +292°F
 (-50°C TO +145°C)

KEYSTONE ELECTRONICS CORP.

ASTORIA, N.Y. 11105-2017

| | | | |
|----------------------------|-----------------|---------------------|---------|
| PART NAME | | PC AUTO FUSE SOCKET | |
| MATERIAL | | AS NOTED | |
| FINISH | AS NOTED | DRN BY | BOONE |
| | | APP'D | |
| | | DATE | 10.5.92 |
| | | SCALE | 4X |
| TOLERANCES | INCH [MM] | CODE | DWG NO. |
| DECIMAL | ± .005 [± 0.15] | C | 3522-2 |
| ANGULAR | ± 1° | | |
| UNLESS OTHERWISE SPECIFIED | | | |

| | | |
|---------|--------------------------|------|
| 8.18.06 | CHANGE AS PER ECN 06-046 | E |
| 9.21.04 | CHANGE AS PER ECN 04-121 | D |
| DATE | DESCRIPTION | REV. |