

**Dear Customer**

**Date Jun. 21<sup>st</sup> 2010**

**Ref.No. G2K-R-100607-5**

**Prepared R. Matsushita**

**Checked S. Kametani**

**Approved T. Ohawa**

**MIYOSHI Electronics Co.**

**RF devices dept**

**Subject: Notification of change packing materials and method of packing for Mitsubishi Silicon High-Frequency Devices.**

**This document shows changing packing materials and the packing method.**

**1. The difference of the current packing and the new packing**

	Changes	Current	New	Object products	Attached documents
Module device	1. Addition of Shipping box	Shipping box:L001A	Shipping box: L001A or M041	RA series modules. Excluded H58 package outline(RA01Lseries).	Page2 shows. The contents for change box.
	2. Shipping box of H11package outline	Shipping box:L281			Page2 shows. The contents for change of box.
	3. Change of cushioning material	Cushioning material: Polyethylene sheet Single sheet.	Cushioning material: Corrugated cardboards Two sheets.	RA series modules.	Page3 shows. The packing method for change of cushioning material, And result of transportation test.
Discrete Device	4. Without reel-band	With reel-band	Without reel-band	SLP and PMM package outline of tape and reel packing.	Page3 shows. The contents for change of packing without reel-band.
Package of SLP,PMM	5. Changing number of inner boxes	1 inner box /1 shipping box	6 inner boxes /1 shipping box	SLP and PMM (Tray packed)	Page3 shows. The contents for changing number of inner boxes.

**2. Reason for change**

**To reduce waste disposal. (The protection of the environment)**

**3. Applicable data**

**We are going to change packing materials and packing method from shipping in October, 2010.**

**Best Regards,**

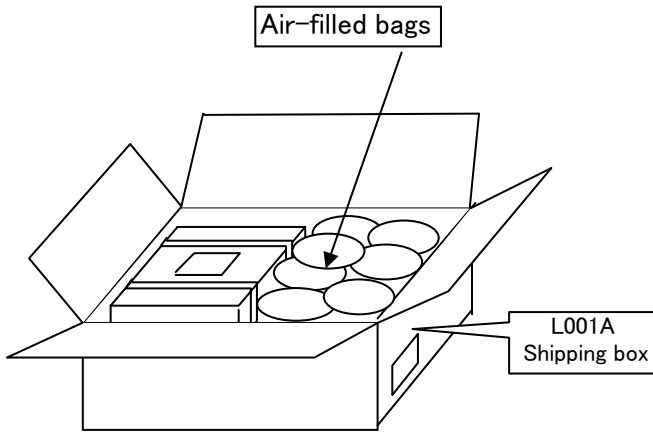
1. Addition of Shipping box

Current

**Shipping Box:L001A**

Shipping box dimensions

length	width	height	thickness
510mm	275mm	175mm	5mm

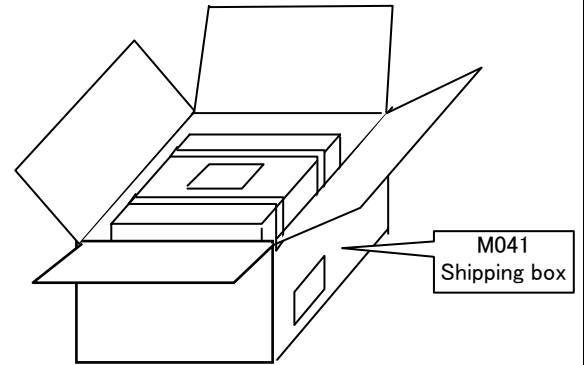


New

**Shipping Boxes : L001A or M041**

Shipping box dimensions of M041

length	width	height	thickness
285mm	235mm	139mm	5mm



Package outline and maximum amount device of M041 shipping box.

Package outline	Maximum amount device(pcs)	Maximum tray
H54, H46	300	maximum 7trays (include 1empty tray)
H11	120	
H57	120	
H2	60	

2. Shipping box of H11package outline

**Shipping Box:L281**

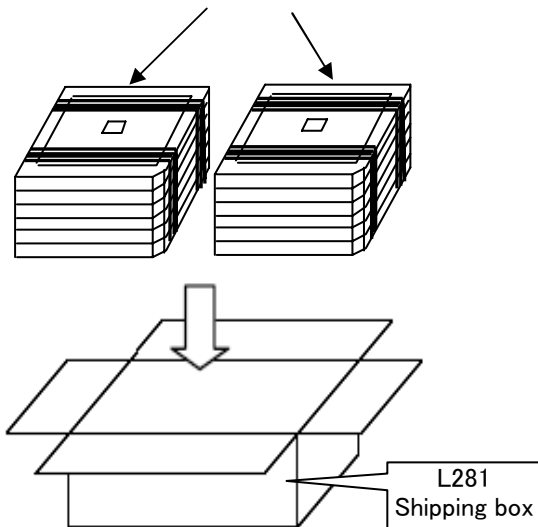
Shipping box dimensions

length	width	height	thickness
499mm	279mm	143mm	5mm

Maximum amount modules: 200pcs/box

Maximum trays: 6trays include 1 empty tray × 2  
=12trays/1shipping box

Upper tray is empty tray



**Shipping Box:L001A**

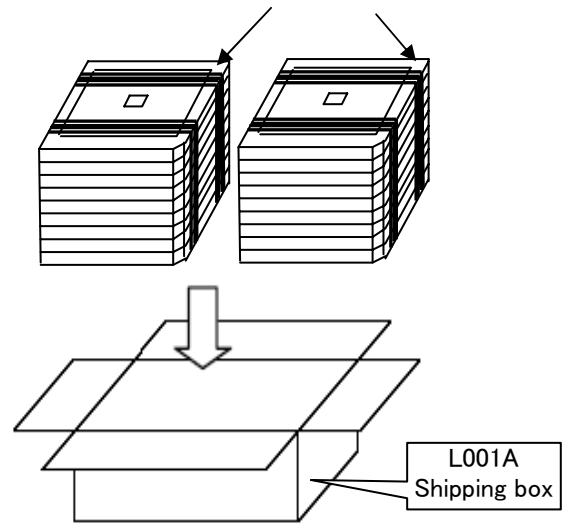
Shipping box dimensions

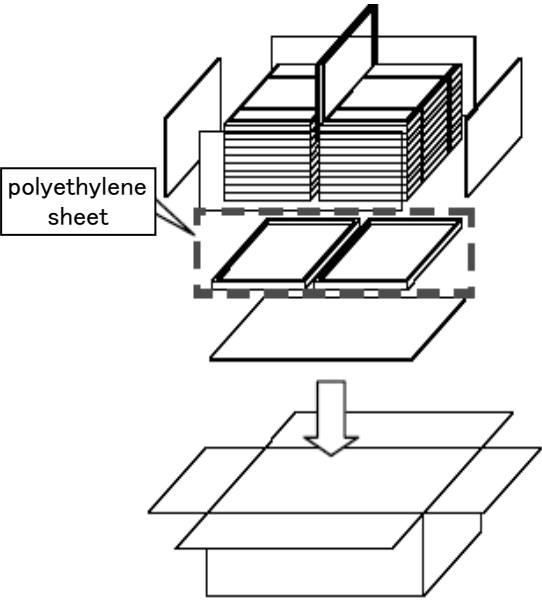
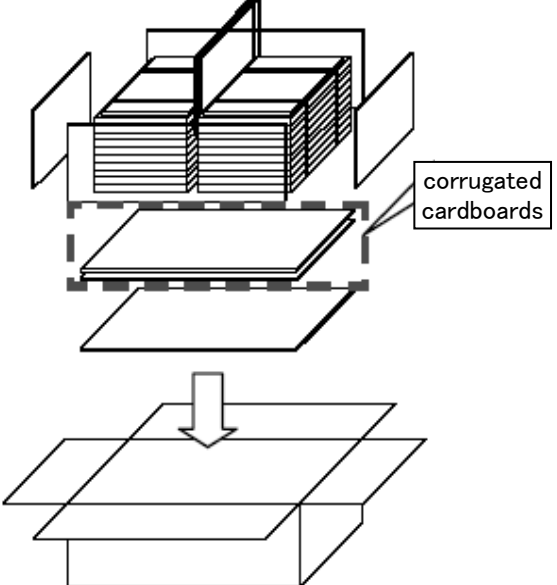
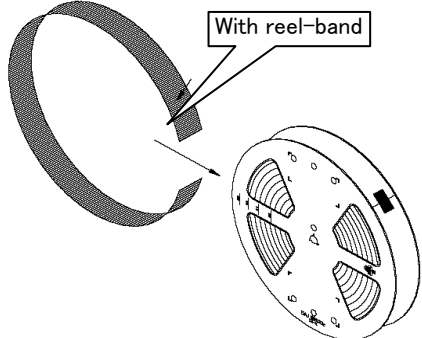
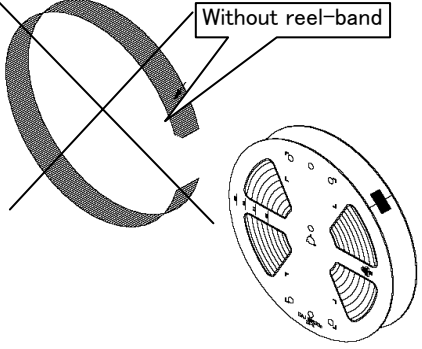
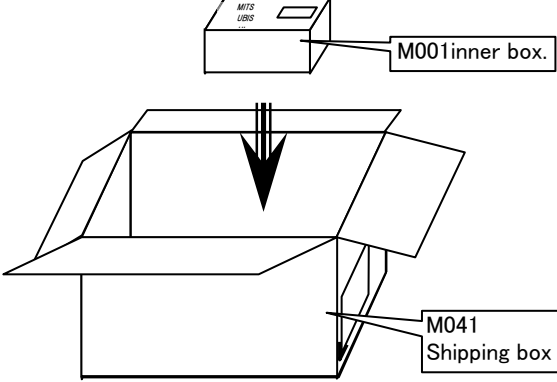
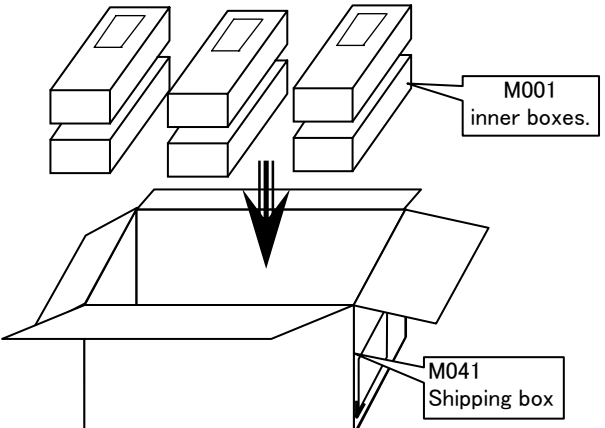
length	width	height	thickness
510mm	275mm	175mm	5mm

Maximum amount modules: 320pcs/box

Maximum trays: 9trays include 1 empty tray × 2  
=18trays/1shipping box

Upper tray is empty tray



	Current	New
3. Change of Cushioning material	<p>Cushioning material : Polyethylene sheet</p>  <p>polyethylene sheet</p> <p>【Result of transportation test and Vibration test】            Test condition (1)Transportation test(JISZ0202) : Dropping Height=0.8m,1set=Dropping 10 times (six sides)            (2)Vibration test : ASTM-D4169-09 Standard Practice for Performance Testing of Shipping Containers and Systems.            Test result : No problem. There was not the difference for Electric characteristics and surface appearance.</p>	<p>Cushioning material : corrugated cardboards</p>  <p>corrugated cardboards</p>
4. Without reel-band	<p>With reel-band</p>  <p>With reel-band</p>	<p>Without reel-band</p>  <p>Without reel-band</p> <p>* Products and taping reel are protected with inner box and shipping box.</p>
5. Changing number of inner boxes	<p>Maximum 1 inner box / 1 shipping box.</p>  <p>M001 inner box.</p> <p>M041 Shipping box</p>	<p>Maximum 6 inner boxes / 1 shipping box.</p>  <p>M001 inner boxes.</p> <p>M041 Shipping box</p>

●Type-Number list of change packing materials and packing method.

	Package outline	Type number	changed contents					note
			1. Addition of Shipping box	2. Change of Shipping box for H11package outline	3. Change of cushioning material	4. Without reel-band	5. Changing number of inner boxes	
Module devices	H2, H46, H54, H57 Package	RA series modules. Excluded H58 package outline(RA01Lseries).	●	-	●	-	-	
	H11 Package	RA05H8693M-101	●	●	●	-	-	
		RA05H9595M-101	●	●	●	-	-	
		RA06H8285M-101	●	●	●	-	-	
		RA07H8992M-101	●	●	●	-	-	
		RA13H8891MB-101	●	●	●	-	-	
		RA13H8891MC-101	●	●	●	-	-	
Discrete devices	SLP Package	RD02MUS1-101	-	-	-	-	●	
		RD02MUS1B-101	-	-	-	-	●	
		RD02MUS1B-T112	-	-	-	●	-	
		RD02MUS1-T112	-	-	-	●	-	
		RD02MUS1-T122	-	-	-	●	-	
		RD02MUS1-T132	-	-	-	●	-	
		RD02MUS2-101	-	-	-	-	●	
		RD02MUS2-T112	-	-	-	●	-	
		RD07MVS1-101	-	-	-	-	●	
		RD07MVS1A-T112	-	-	-	●	-	
		RD07MVS1B-101	-	-	-	-	●	
		RD07MVS1B-T112	-	-	-	●	-	
		RD07MVS1B-T122	-	-	-	●	-	
		RD07MVS1B-T132	-	-	-	●	-	
		RD07MVS1-T112	-	-	-	●	-	
		RD07MVS1-T122	-	-	-	●	-	
		RD07MVS1-T132	-	-	-	●	-	
		RD07MVS2-101	-	-	-	-	●	
		RD07MVS2-T112	-	-	-	●	-	
		RD07MVS2-T122	-	-	-	●	-	
		RD07MUS2B-101	-	-	-	-	●	
		RD07MUS2B-T112	-	-	-	●	-	
		RD12MVS1-101	-	-	-	-	●	
		RD12MVS1-T112	-	-	-	●	-	
	PMM Package	RD05MMP1-100	-	-	-	-	●	
		RD05MMP1-T102	-	-	-	●	-	
		RD05MMP1-T112	-	-	-	●	-	
		RD05MMP1-T122	-	-	-	●	-	
		RD05MMP1-T142	-	-	-	●	-	
		RD09MUP2-100	-	-	-	-	●	
RD09MUP2-T102		-	-	-	●	-		
RD09MUP2-T112		-	-	-	●	-		
RD12MVP1-100		-	-	-	-	●		
RD12MVP1-T102		-	-	-	●	-		
RD12MVP1-T122	-	-	-	●	-			