

## Engineering Change Notice

Notice date : Mar. 16, 2021

Notice from : Ceramate Technical Co., Ltd.

Notice to : All Customer

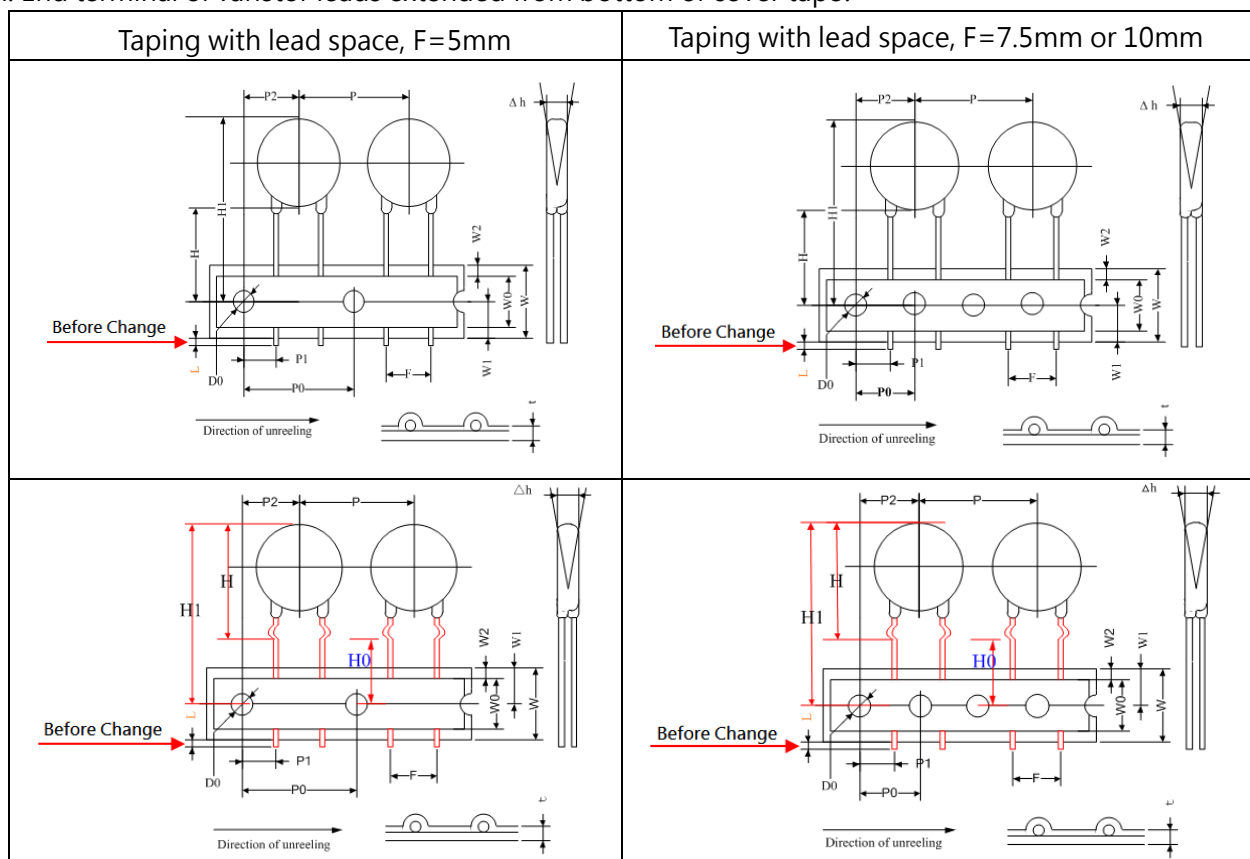
Change subject : Taping type of Varistor

Execution date : Scheduled from July 2021

Description of change : End terminal of varistor leads extended from bottom of cover tape before change, and not extended from bottom of cover tape after change. The other dimensions will not change.

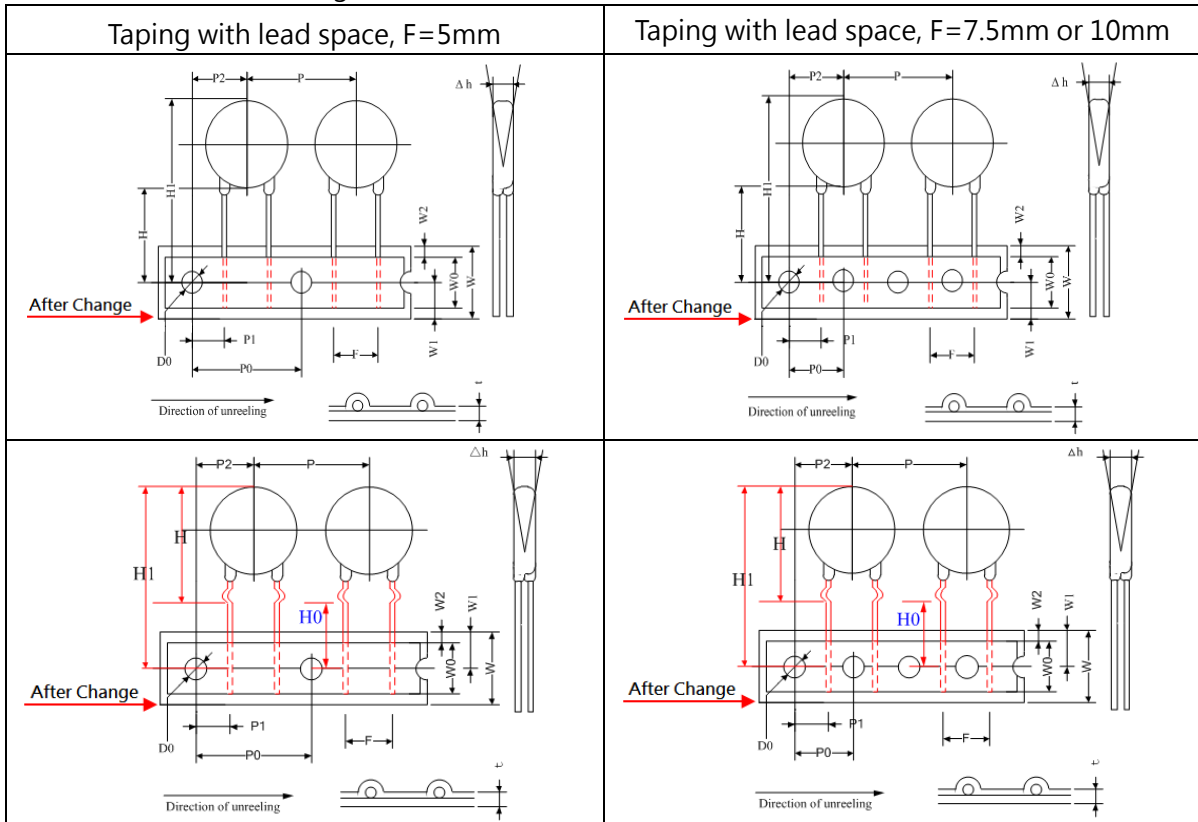
### Before Change

Item: End terminal of varistor leads extended from bottom of cover tape.



**After Change**

Change Item : End terminal of varistor leads not extended from bottom of cover tape, the other dimensions will not change.



Models included : All models of varistor with taping.

Reason for change : To unify taping format after factory exchanged new taping machine.

Engineering analysis : Only reduced the length of varistor leads extended from bottom of cover tape, will not affect the installation dimensions when inserted on PCB after change.

Approved	Ethan Huang	Checked	Max Wang	Prepared	Ruby Huang
----------	-------------	---------	----------	----------	------------