

Change to Height Tolerance of XLamp® XT-E Royal Blue & White LEDs

PCN-CM048

Announcement Date: May 19, 2014

Implementation Date: Immediately

This notification applies to the following Cree order codes:

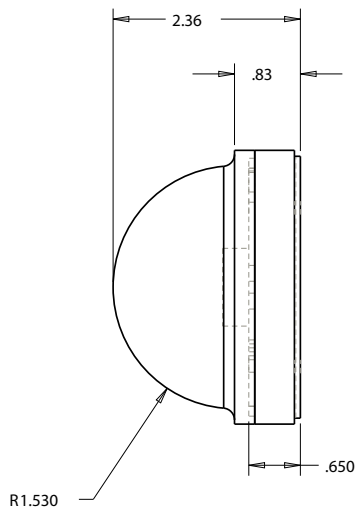
XTEARY-XX-XXXX-XXXXXXXXXX

XTEAWT-XX-XXXX-XXXXXXXXXX

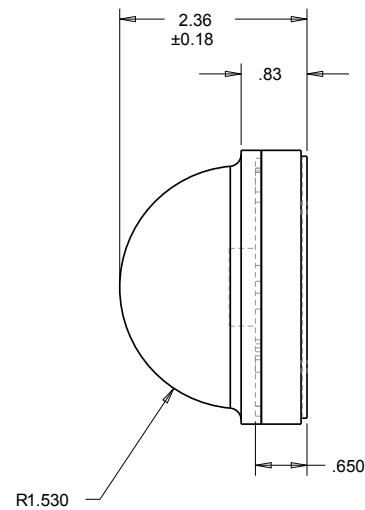
No customer action is required.

CHANGE DESCRIPTION

Cree has changed the tolerance of the total package height for XLamp XT-E Royal Blue & White LEDs from the default of $\pm 0.13\text{mm}$ to $\pm 0.18\text{mm}$. Cree has made this change to improve the accuracy of the product specification. The old and the new package height specifications are shown below.



Old Package Height Specification



New Package Height Specification

IMPACT OF CHANGE

As of May 19, 2014, the tolerance of the total package height for XLamp XT-E Royal Blue & White LEDs has been changed to $\pm 0.18\text{mm}$.

No customer action is required.