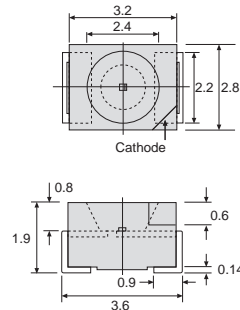


TOL323Cx series (low current)

Features

- ◆ 3.2 x 2.8mm (PLCC-2) SMD package
- ◆ Built-in 2.4mm dia. reflector
- ◆ Low current consumption
- ◆ Coloured clear lens
- ◆ Solid state reliability
- ◆ Supplied taped and reeled
- ◆ Ideal for low energy applications

Package



Dimensions are mm. Tolerance ± 0.25 mm unless otherwise stated.

Electrical & Optical Characteristics (at $T_A = 25^\circ\text{C}$)

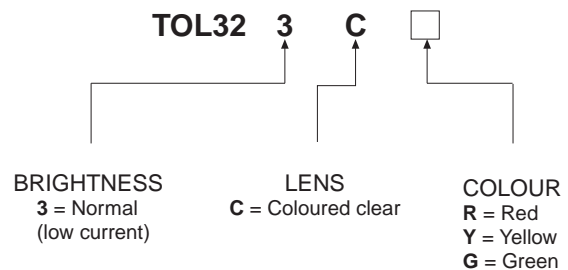
Part Number	LED Chip			Lens Colour	Peak Wavelength (nm) at 2mA	Luminous Intensity (mcd) at 2mA		Forward Voltage (V) at 2mA		Viewing Angle $2\theta^{1/2}$ (deg)
	Material	Emitted Colour	Brightness			min.	typ.	typ.	max.	
TOL323CR	GaAsP	Red	Normal	Red clear	630	4.0	6.0	1.8	2.2	120
TOL323CY	GaAsP	Yellow	Normal	Yellow clear	589	2.5	4.0	1.8	2.2	120
TOL323CG	GaP	Green	Normal	Green clear	572	3.0	5.0	1.8	2.2	120

N.B. Standard current (20mA) versions are also available. Please refer to separate data sheets.

Maximum Ratings (at $T_A = 25^\circ\text{C}$)

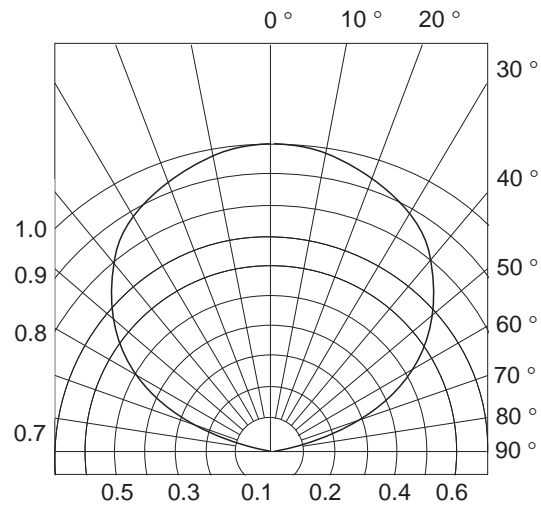
Reverse Voltage (<100 μ A)	5.0V
D.C. Forward Current	30mA
Pulse Current ($1/10$ Duty Cycle, 0.1ms Pulse Width)	100mA
Operating Temperature Range	-25 to +85 $^\circ\text{C}$
Storage Temperature Range	-25 to +100 $^\circ\text{C}$
Soldering Temperature	260 $^\circ\text{C}$ for 5 sec.

Part Number Key

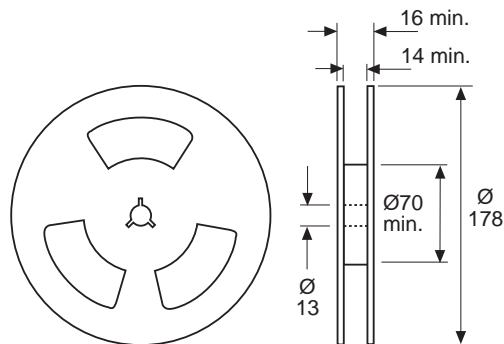
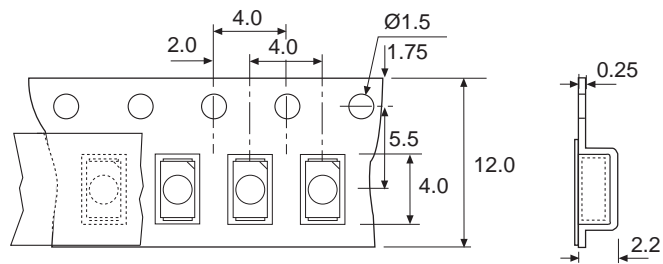


TOL323Cx series (low current)

Radiation Pattern



Tape & Reel Specification



Dimensions are mm.

Reel quantity: 2,000pcs