

Sandall Road
Wisbech
PE13 2PS UK

Tel: +44 (0)1945 47 47 47
Fax: +44 (0)1945 47 48 49

31st May 2017

Dear Customer,

Anglia have been advised by the manufacturer Taicom that the tooling for the series listed below has been updated with immediate effect, this is due to the old tooling being beyond its serviceable life.

Taicom advise they have also taken this opportunity to revise the mouldings to improve the efficiency and yield of the production process. The revised parts have some minor dimensional and cosmetic appearance changes.

Series affected by this notification:

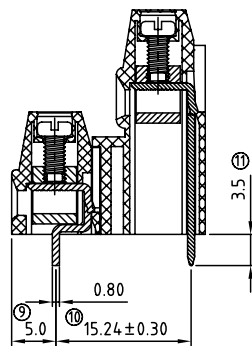
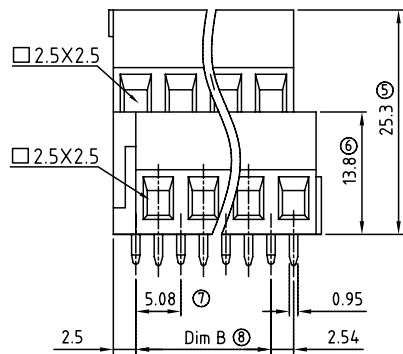
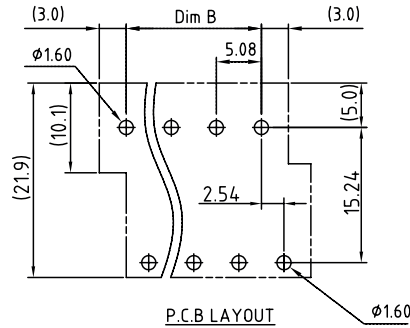
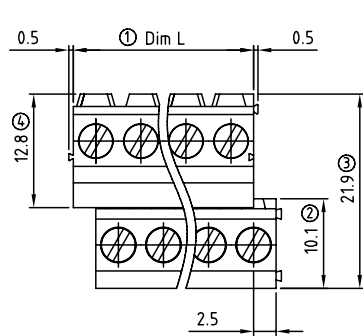
TBS6xxKGN

Attached below are the old and new data sheets for comparison purposes.

Anglia operates a strict F.I.F.O system in our Distribution Centre therefore it may take some time for this change to filter through to customer deliveries.

Please ensure this information is circulated to the relevant persons within your organisation.

Yours Sincerely
Anglia



SPECIFICATION

Current Rating :	20A AC/DC
Voltage Rating :	300V AC/DC
Wire Range :	
Solid Wire :	12-22 AWG
Stranded Wire :	12-22 AWG
Torque (Lb-In) :	3.5
Screw :	M2.5
Wire strip length :	6-7mm
Withstanding Voltage :	1.6KV
Operating Temperature :	-40°C to + 115°C
Soldering Temperature :	250°C ± 10°C / 5 Sec
Material	
Terminal Housing:	Thermoplastic, UL94V-0
Clamp :	Brass, Nickel Plated
Wire guard solder pin :	Brass, Tin Plated
Terminal Screw :	Steel Zinc Plated
Safety Approval :	us

Poles	2x2	2x3	2x4	2x5	2x6	2x7	2x8	2x9	2x10	2x11	2x12	2x13	
Dim L	10.16	15.24	20.32	25.40	30.48	35.56	40.64	45.72	50.80	55.88	60.96	66.04	
Dim B	5.08	10.16	15.24	20.32	25.40	30.48	35.56	40.64	45.72	50.80	55.88	60.96	
TOL	±0.20						±0.30						±0.35
Poles	2x14	2x15	2x16	2x17	2x18	2x19	2x20	2x21	2x22	2x23	2x24		
Dim L	71.12	76.20	81.28	86.36	91.44	96.52	101.60	106.68	111.76	116.84	121.92		
Dim B	66.04	71.12	76.20	81.28	86.36	91.44	96.52	101.60	106.68	111.76	116.84		
TOL	±0.35						±0.40						

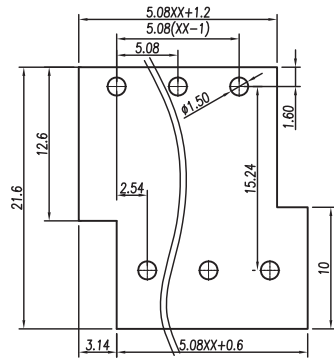
Taicom TBS6xxKGN (OLD VERSION)

Title : 5.08mm Series

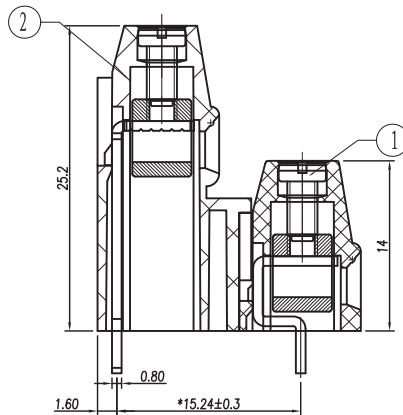
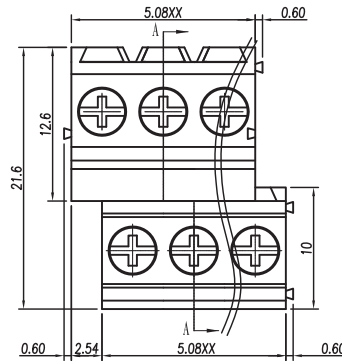
Tolerance (Unless Specified) :
 x. = ±0.50
 x.x = ±0.30
 x.xx = ±0.10

Dim : (mm)

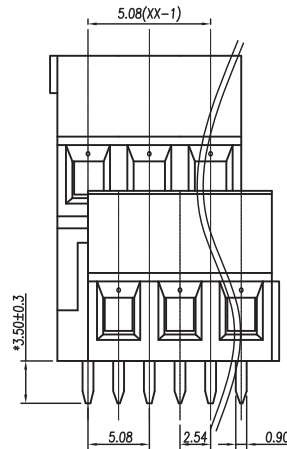
Angle :



P.C.B. LAYOUT



SECTION A-A



SPECIFICATION

Current Rating : 15A AC/DC
 Voltage Rating : 300V AC/DC
 Operation Temperature : -30°C to + 120°C
 Contact Resistance : 20m max.
 Insulation Resistance : 500M Min.
 Wire range : 30-14AWG
 Withstand Voltage : 2000V AC/minute

Mechanical

Torque : 0.4Nm
 Steip length : 6 - 7mm
 Soldering : + 250°C Max for 5 sec
 Pitch : 5.08mm
 Poles : 2-24p

Housing : PA66, UL94V-0
 Screws : M2.5 Steel Zn Plated
 Pin header : Brass, Ni plated
 Cage : Brass, Ni plated

variable range	linear dimension(Tolerances Standard GB/T 14486-2008)											≡	—	□	//	⊥
	to 6	over 6 to 10	over 10 to 18	over 18 to 30	over 30 to 50	over 50 to 80	over 80 to 120	over 120 to 160	over 160 to 200	over 200 to 250	over 250 to					
tolerance	±0.1	±0.14	±0.19	±0.25	±0.32	±0.43	±0.57	±0.72	±0.88	±1.05	±1.25	0.5	0.025	0.06	0.12	0.4

RoHS Compliant

Taicom TBS6xxKGN (NEW VERSION)

Title : 5.08mm 2 TIER COMBO TERMINAL BLOCK

Tolerance (Unless Specified) : .x = ±0.20
 .xx = ±0.15

Dim : (mm)

Angle :