

Dear Customer,

Anglia have been advised by the supplier STUDIOMATE that there has been a revision to the dimensional changes to part number A12F500 following the revision as advised from PCN "sm\_A12F500\_New\_Tooling"

Attached below are the old and the new revised dimension for your evaluation

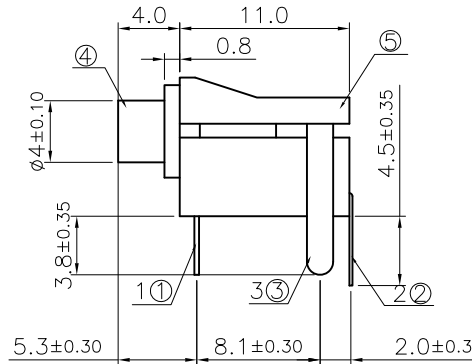
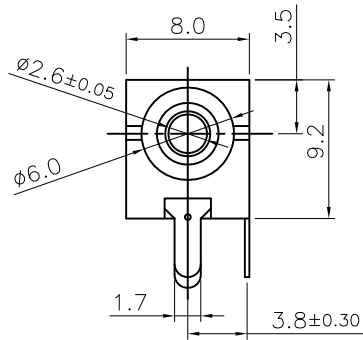
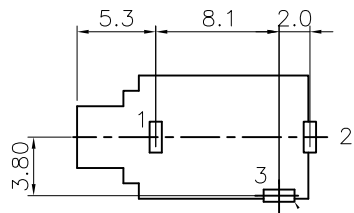
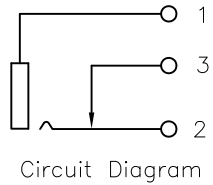
Anglia operates a strict FIFO system within our Distribution Centre therefore it may take some time for the new product to reach customers.

Please make the relevant personnel within your organisation aware of this notification.

Yours Sincerely

Anglia

### OLD VERSION

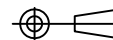


Specifications:  
 Current Rating: 0.5A AC,DC  
 Contact Resistance:30m ohm.Max  
 Insulation Resistance:100M ohm.Min  
 Withstanding Voltage:500V AC/Minute  
 Housing PBT (Black)  
 Turn Fix H59 (Copper Alloy) Ni-Plated  
 Terminal Brass T=0.30 Sn-Plated  
 Terminal 65Mn T=0.20 Sn-Plated  
 Terminal Brass T=0.30 Sn-Plated

DRAWN: Andrew  
 CHECKED: Bill He  
 APPROVAL: Norman

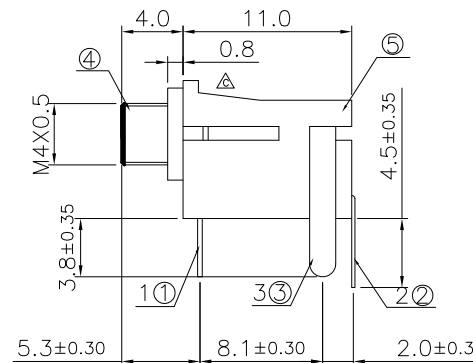
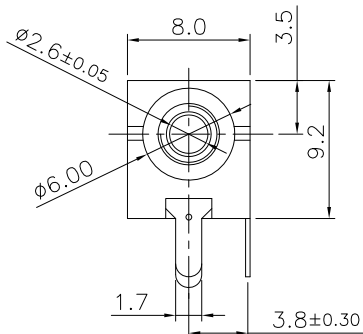
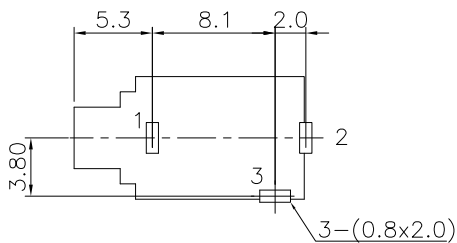
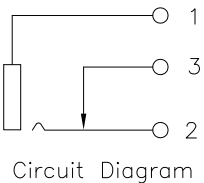
GENERAL TOLERANCE:  
 .X=±0.2  
 XX=+0 15

SCALE: 1:1 UNIT: MM  
 SHEET: 1/1 PROJECTION:



DESCRIPTION: 2.5MM EARPHONE JACK

### NEW VERSION

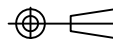


Specifications:  
 Current Rating:0.5A DC  
 Contact Resistance:0.03 ohm.Max  
 Insulation Resistance:100M ohm.Min  
 Withstanding Voltage:500V AC/Minute  
 Housing PBT (Black)  
 Turn Fix H59 (Copper Alloy) Ni-Plated  
 Terminal Brass T=0.30 Sn-Plated  
 Terminal 65Mn T=0.20 Sn-Plated  
 Terminal Brass T=0.30 Sn-Plated

DRAWN: JAMIE  
 CHECKED: JERRY  
 APPROVAL: RORY

GENERAL TOLERANCE:  
 ≤4=±0.15  
 4-16=±0.20

SCALE: 1:1 UNIT: MM  
 SHEET: 1/1 PROJECTION:



DESCRIPTION: 2.5MM EARPHONE JACK

