

Modifications Notices

General Purpose Relay

Issue Date
Sep. 28th, 2018

No. 2018150AE(ON)

Modification Notice of the additional identification data on the bottom of product for Power Relay G2R-1(A)-T series due to the traceability reinforcement.

[Effective Date]

Effective as of our production in May, 2019.

[Applicable Model]

Model G2R-1(A)-T series

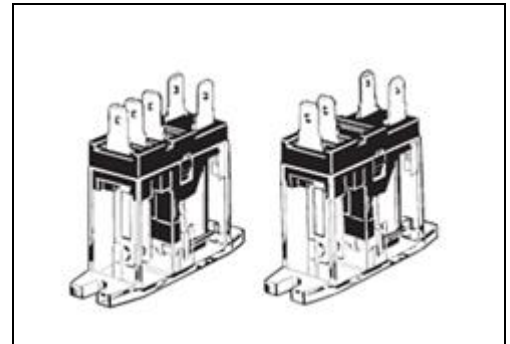
< Refer to the " [Details of applicable model] " . >

[Reason for change]




For the traceability reinforcement

[Change of products specification]

Unnecessary



[Changes]

Before the change	After the change
<p>Bottom of product 2D Cord : None</p> 	<p>Bottom of product 2D Cord : Marked on the product</p>  <p>[Product Image]</p> 

[Details of applicable model]

Models	Specification
G2R-1-T	AC100/(110)
G2R-1-T	AC12
G2R-1-T	AC200/(220)
G2R-1-T	AC24
G2R-1-T	DC100
G2R-1-T	DC12
G2R-1-T	DC24
G2R-1-T	DC48
G2R-1-T	DC5
G2R-1-T	DC6
G2R-1A-T	AC100/(110)
G2R-1A-T	AC12

Models	Specification
G2R-1A-T	AC200/(220)
G2R-1A-T	AC230
G2R-1A-T	AC24
G2R-1A-T	DC100
G2R-1A-T	DC12
G2R-1A-T	DC24
G2R-1A-T	DC48
G2R-1A-T	DC5
G2R-1A-T	DC6
G2R-1A-T-AP3	AC120
G2R-1A-T-AP3	AC230

Specifications in this product news are as of the issue date and are subject to change without notice. Only main changes in specifications are described in this document. Please be sure to read the relevant catalogs, datasheets, product specifications, instructions, and manuals for precautions and necessary information when using products.