

Burton-on-the-Wolds, 23rd May 2019

Product Change Notification PCN_BUR_00119

Dear Customer,

Eaton has changed the end tags design of some of its Eaton's Bussmann series ET, FE and LET fuses (up to and including 63 A).

An improved manufacturing process has resulted in thinner end tags for the affected fuses:

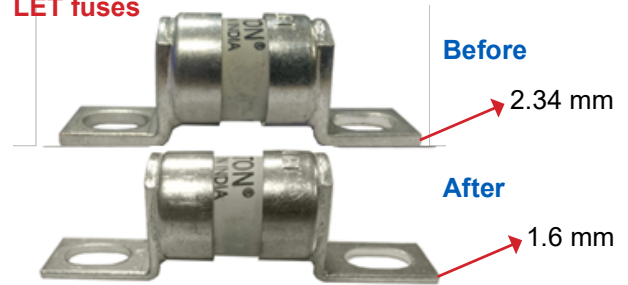
- Previous thickness was 2.34mm
- New thickness is now 1.6mm

This is a reduced thickness of 0.74mm. This change does not affect the performance of the fuses.

ET/FE fuses



LET fuses

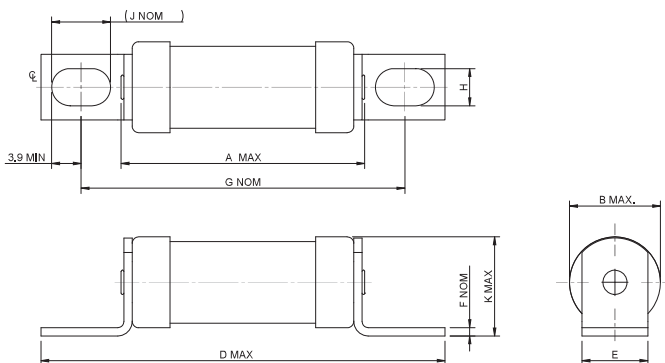


Please note any ET/FE and LET parts rated 80 A and above continue to have the same end tag thickness of 2.34 mm.

The ET/FE and LET fuses with the new 1.6 mm end tag thickness will be available from the 1st July 2019. These fuses will have the 2.34 mm end tag thickness for any orders placed before the 1st July 2019.

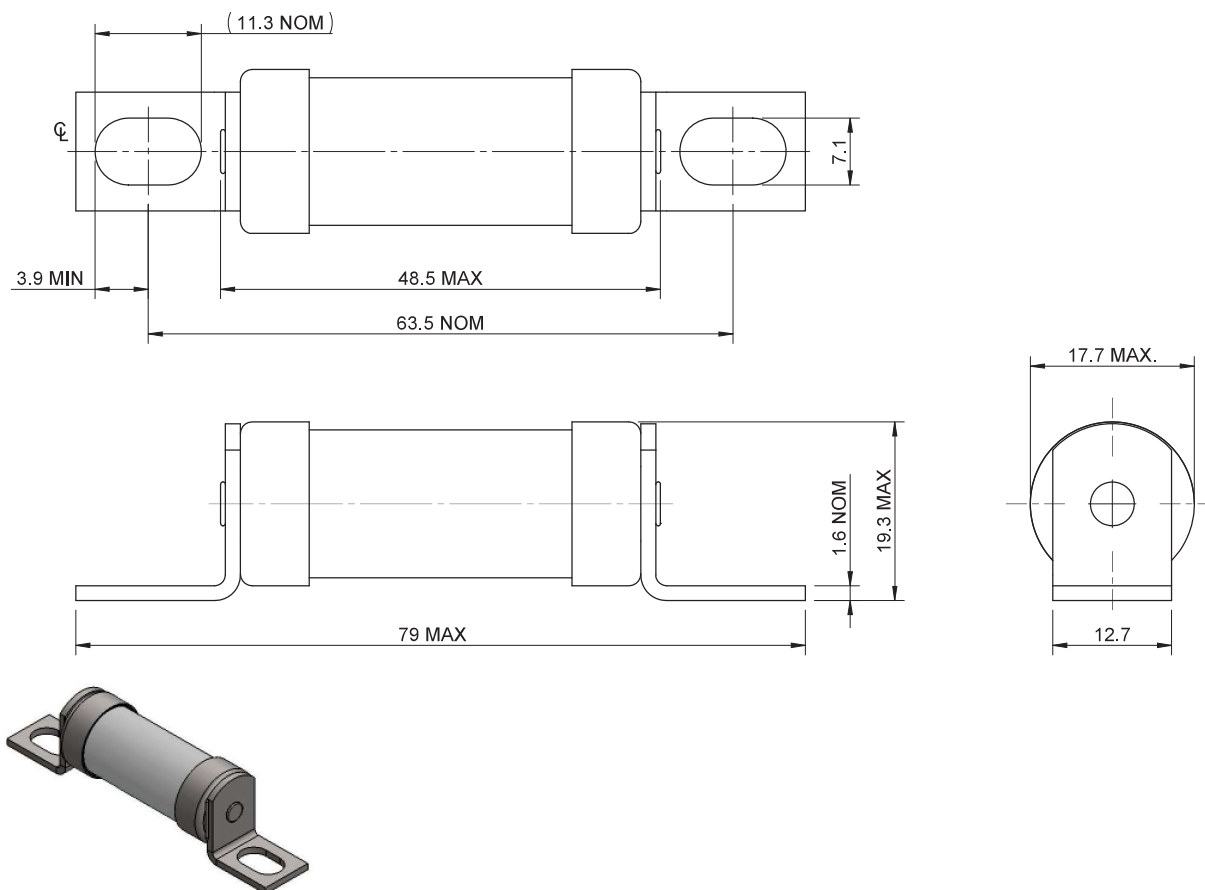
Additionally during this design change we realised some of the dimensions previously published in our marketing collateral (catalogues and data sheets) were incorrect, you will find below the correct dimensions.

ET/FE Fuses

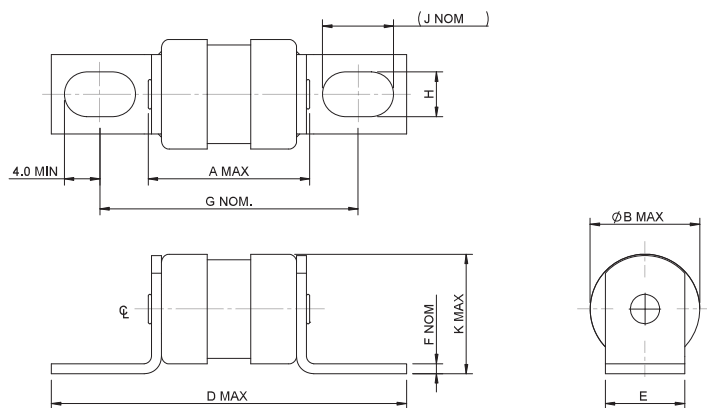


Drawing reference	Fuse type	Rating	A	B	D	E	F	G	H	J	K
Incorrect data published in previous Marketing collateral	ET FE	8 - 63 ET 35 - 63 FE	48.0	17.7 Max.	77.0	12.7	2.34	63.5	7.1	9.7	19.1
Correct outline drawing ref 5795390 for rating up to 63 A	ET FE	8 - 63 ET 35 - 63 FE	48.5 Max.	17.7 Max.	79 Max.	12.7	1.6 Nom.	63.5 Nom.	7.1	11.3 Nom.	19.3 Max.

Outline drawing 5795390 for ET/FE up to 63 A

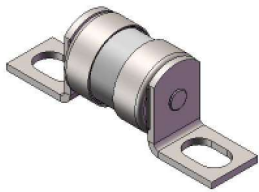
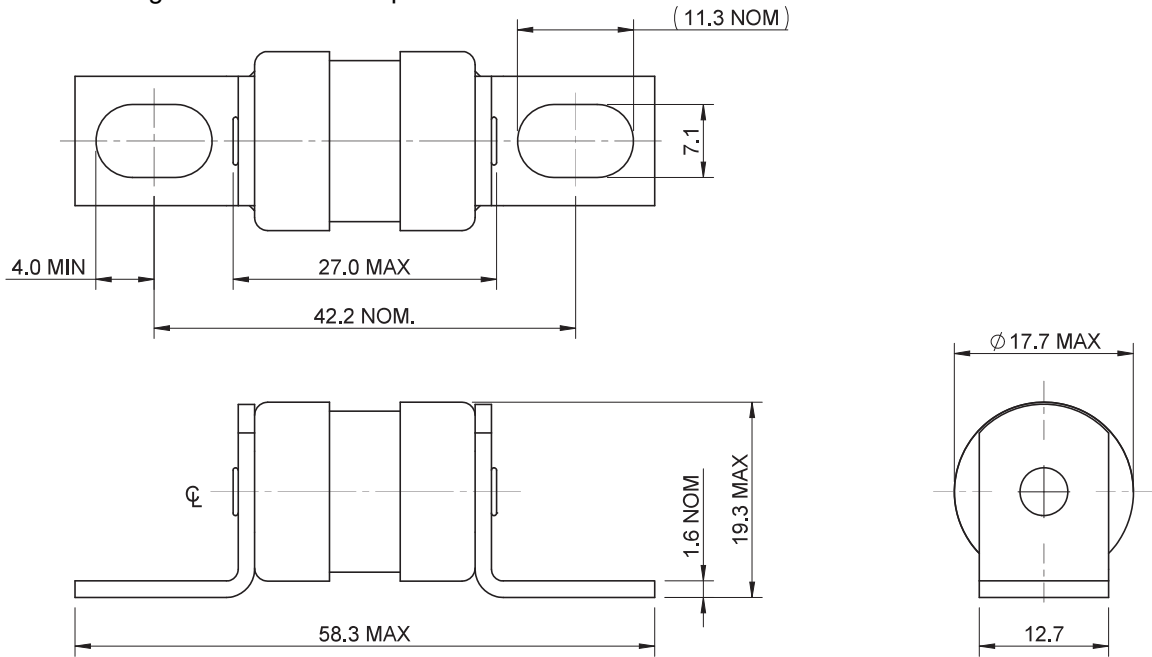


LET Fuses



Drawing reference	Fuse type	Rating	A	B	D	E	F	G	H	J	K
Incorrect data published in previous Marketing collateral	LET	25 to 63 A	26.0 ± 1.0	17.7 Max.	55.0 ± 1.5	12.7 Nom	2.34	41.0 ± 1.5	6.95 Min.	9.7 Nom.	19.1 Nom.
Correct outline drawing ref 5795389 for rating up to 63 A	LET	25 A to 63 A	27.0 Max.	17.7 Max.	58.3 Max.	12.7	1.6 Nom	42.24 Nom.	7.1	11.3 Nom.	19.3 Max.

Outline drawing 5795389 for LET up to 63 A



A black dot will be added on the carton label to highlight that the thickness of the fuses' tags is now 1.6mm.



Current label

New label

New label

If you would like further information on this product design change, please contact the undersigned, your local sales representative or our Field Application Engineering team bulehighspeedtechnical@eaton.com.

Yours faithfully,

Ryan Patterson
 Product Manager
 Switch Disconnect and Bussmann series products
 Industrial Control & Protection Division
 E-Mail: ryanjpatterson@Eaton.com