

1 Products affected

Product hierarchy no. *			Part no.	SBU	Type / Description	Customer part no.
SBU PG	PGU	Type				
02 007	037	0000002350	9009.0111	Connectors	9009	
02 007	037	0000002350	9009.0211	Connectors	9009	
02 007	037	0000002350	9009.0121	Connectors	9009	
02 007	037	0000002350	9009.0221	Connectors	9009	
02 007	037	0000002350	9900.0000	Connectors	9009	

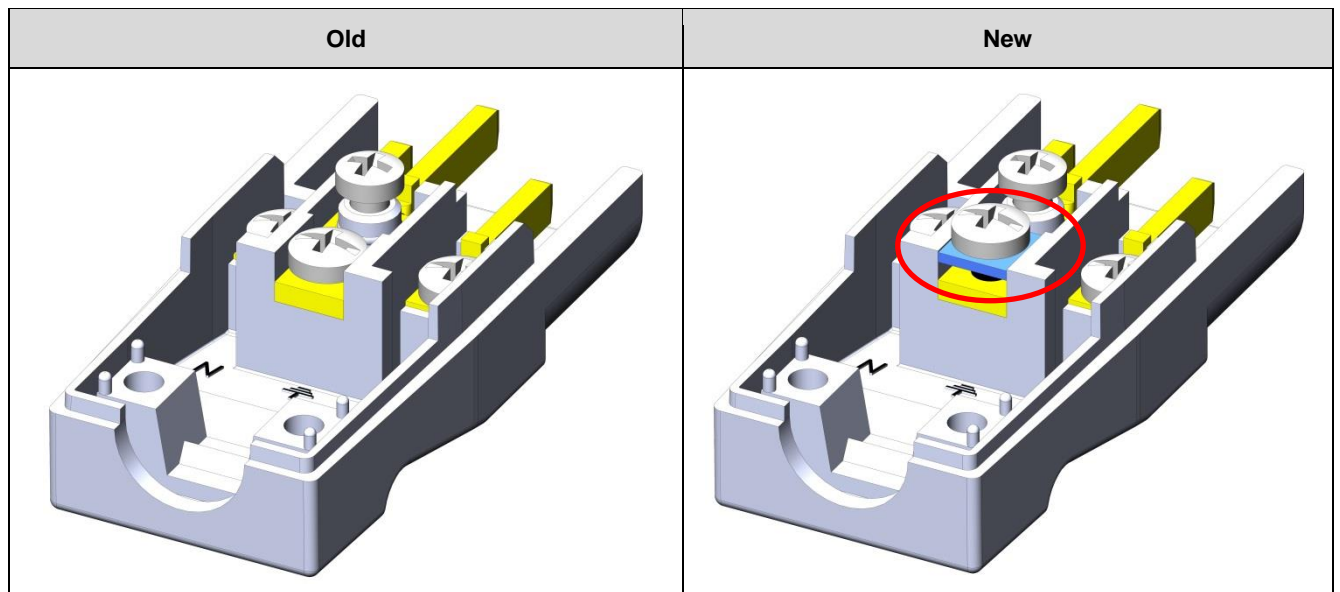
*SBU (2-digit) / PG (3-digit) / PGU (3-digit) / Type (10-digit)

2 Type of change

Ground terminal assembled with a clamping plate.

3 Detailed description of change

The terminal screw "Ground" is pre-assembled with a clamping plate, which will retain all individual wires below the screw head (blue part in picture below).



4 Reason of change

An uncareful wire insertion could lead to unsatisfactory screw connection. The clamping plate makes the handling easier and the screw connection more safe.

5 Release date

The change will be rolled-out starting ww 45/2014 and lasts approx. 9 months depending on the variant.

9009					0118.2238	
creation date	created by	release date	released by	notification no.	revision	page
2014-08-20	bisanger	2014-08-22	bisanger	26278	-	1 of 2

6 Impact of change and recommended action

Form: N/A
Fit: Screw terminal "Ground" assembled with a clamping plate
Function: N/A
Production Site: N/A
Product Label: N/A

7 Reference Documents / Attachments

Kind of document	Document number	Remarks
Data sheet		
Mounting Instruction	0115.0059	

9009					0118.2238	
creation date	created by	release date	released by	notification no.	revision	page
2014-08-20	bisanger	2014-08-22	bisanger	26278	-	2 of 2