

TO : Anglia Components
Anglia, Sandall Road Wisbech, PE13 2PS UK
Attn : Ms. Helen Mason

Date : Oct. 18 2010

Subject: European Safety Update

Dear Helen,

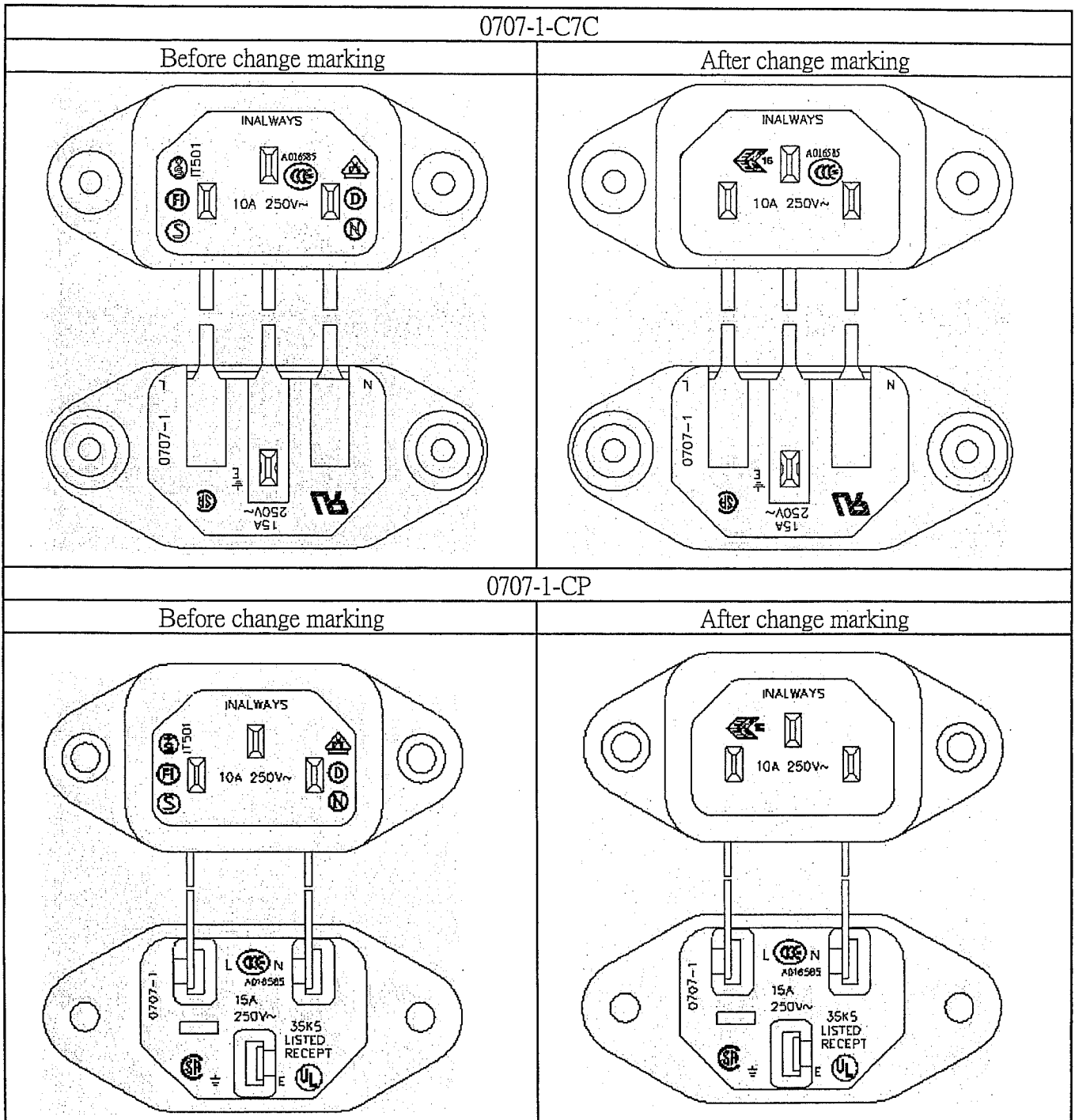
Thank you for your support and business with Inalways.
Please kindly forward this e-mail to the related Dept.

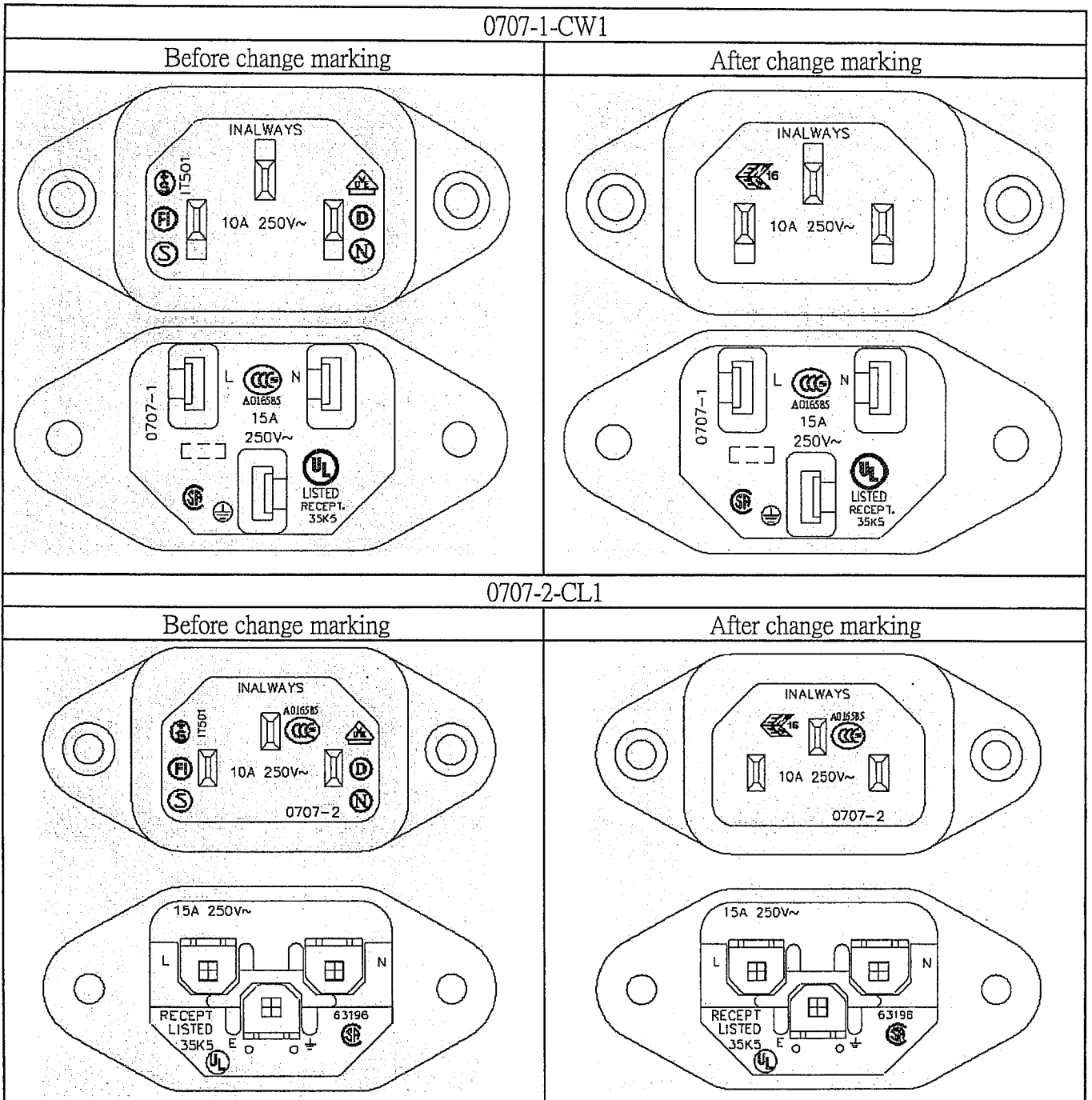
We have updated our European Safety Approvals with ENEC (No. FI2010083, No. FI2010088, No. FI2010084, No. FI2010085, No. FI2010090, No. FI2010087 European Norms Electrical Certification). The ENEC marking is not only recognized in Europe, but also better supports on the application of CE markings. If more ENEC information is required, please visit the ENEC website <http://www.enec.com/>

Please do not hesitate to contact us if you have questions regarding the notice.

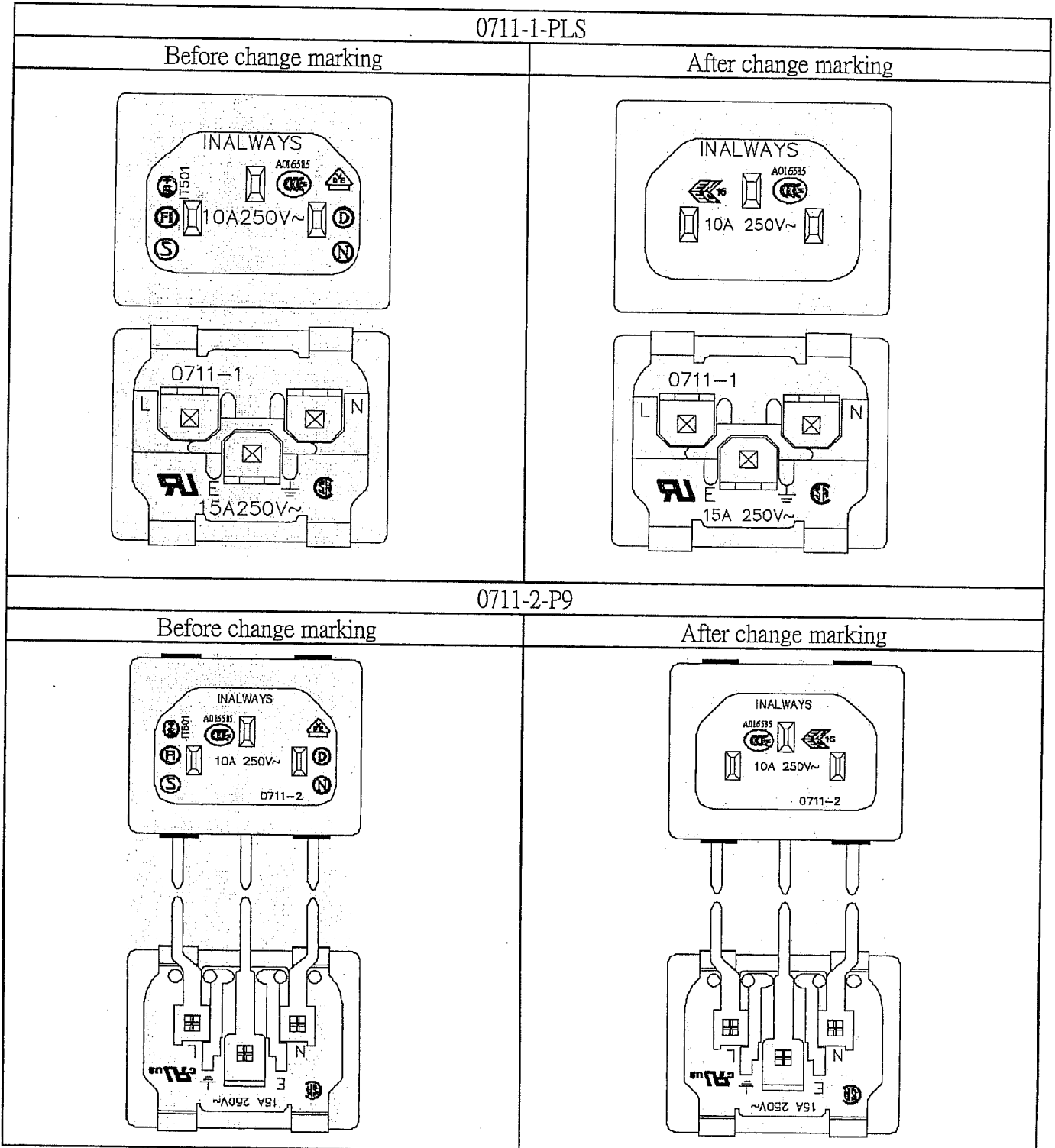
Referred P/N:

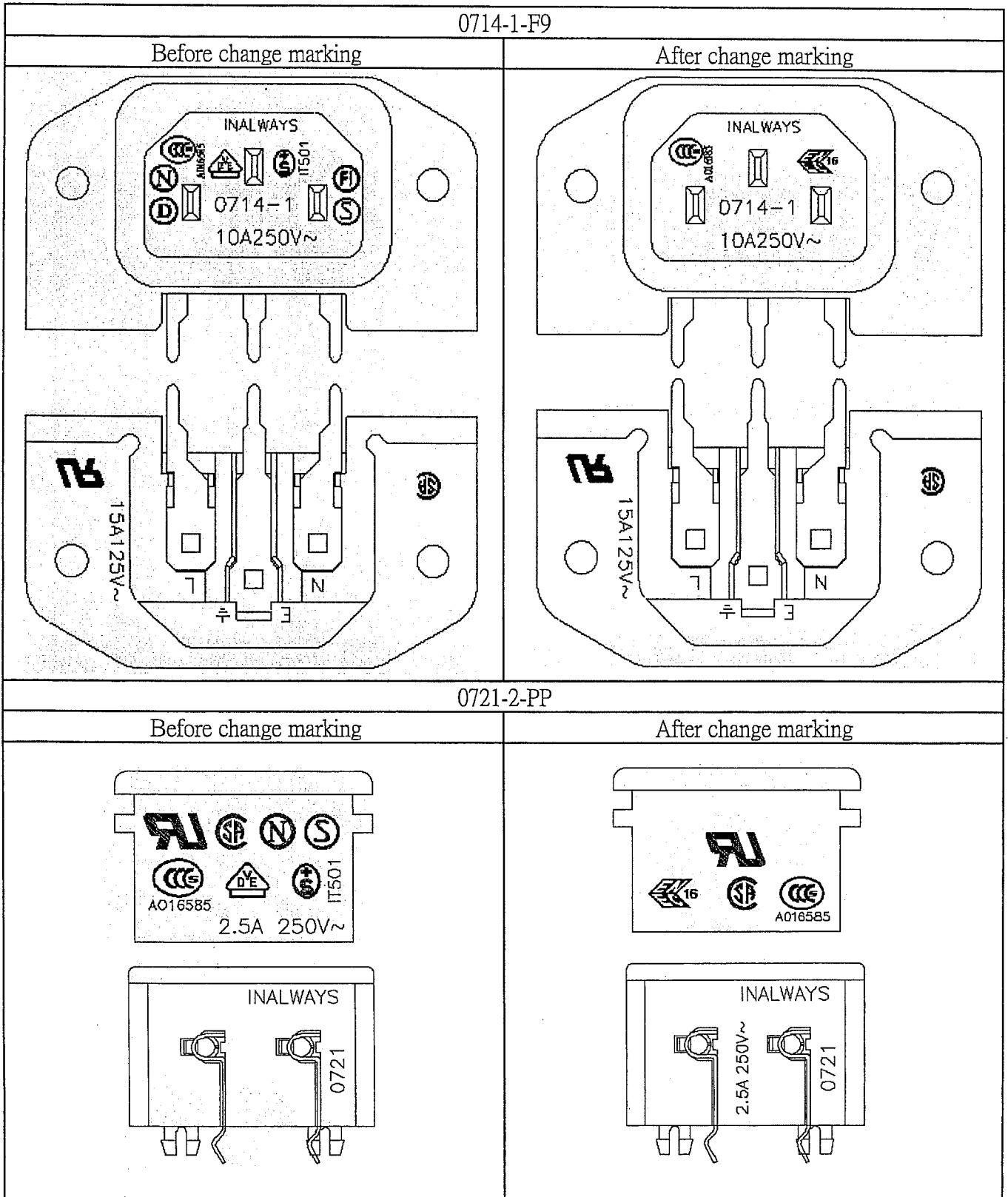
<u>Inalways P/N</u>	<u>Customer P/N</u>
0707-1-C7C	0707-1-C7C
0707-1-CP	672007
0707-1-CW1	672006
0707-2-CL1	672230
0707-2-CW	672002
0708-1-CWF	672550
0711-1-PLS	672330
0711-2-P9	672410
0714-1-F9	672460
0714-CR7	672440
0718-1-PW	672580
0721-2-PP	0721-2-PP

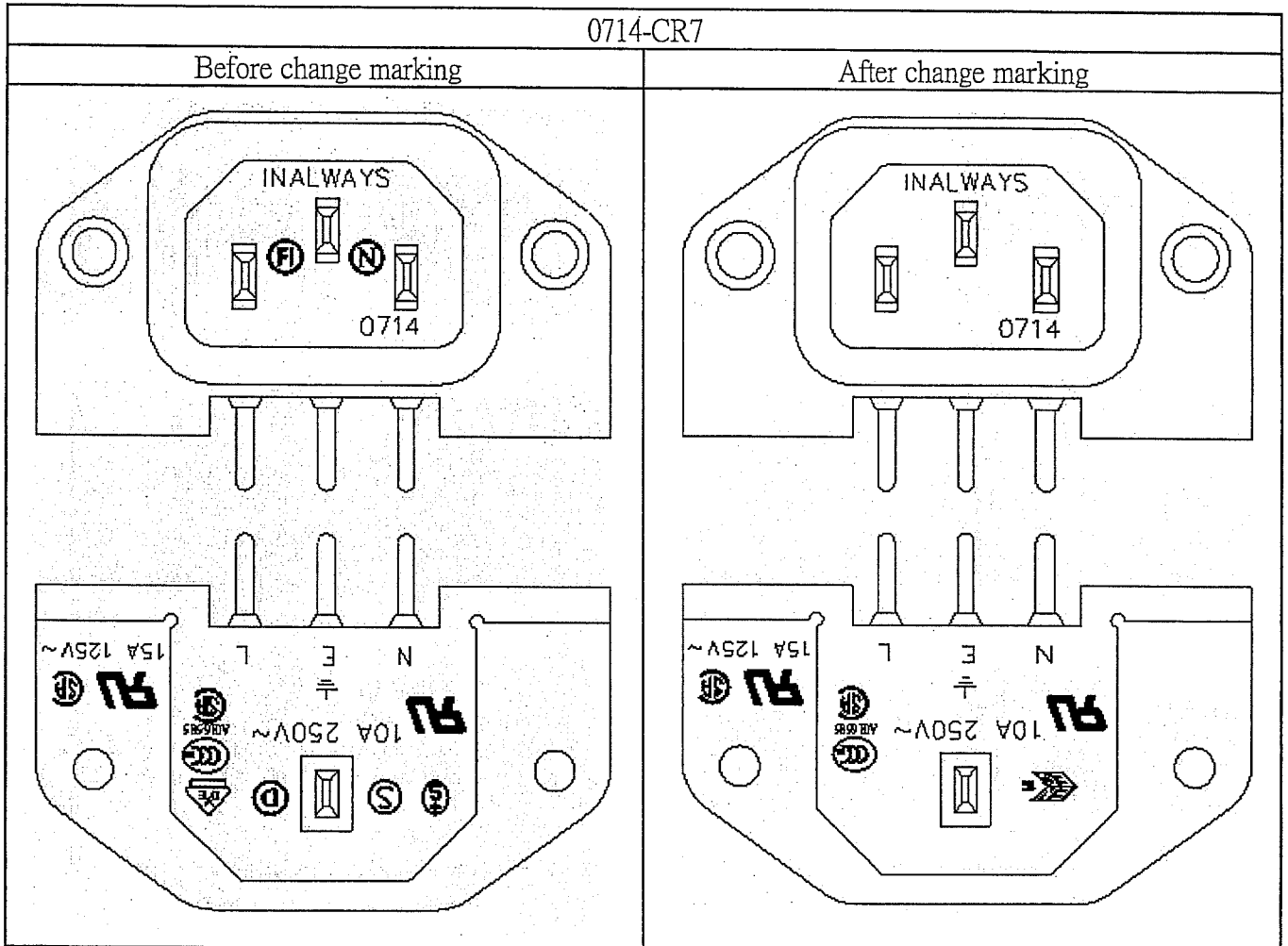


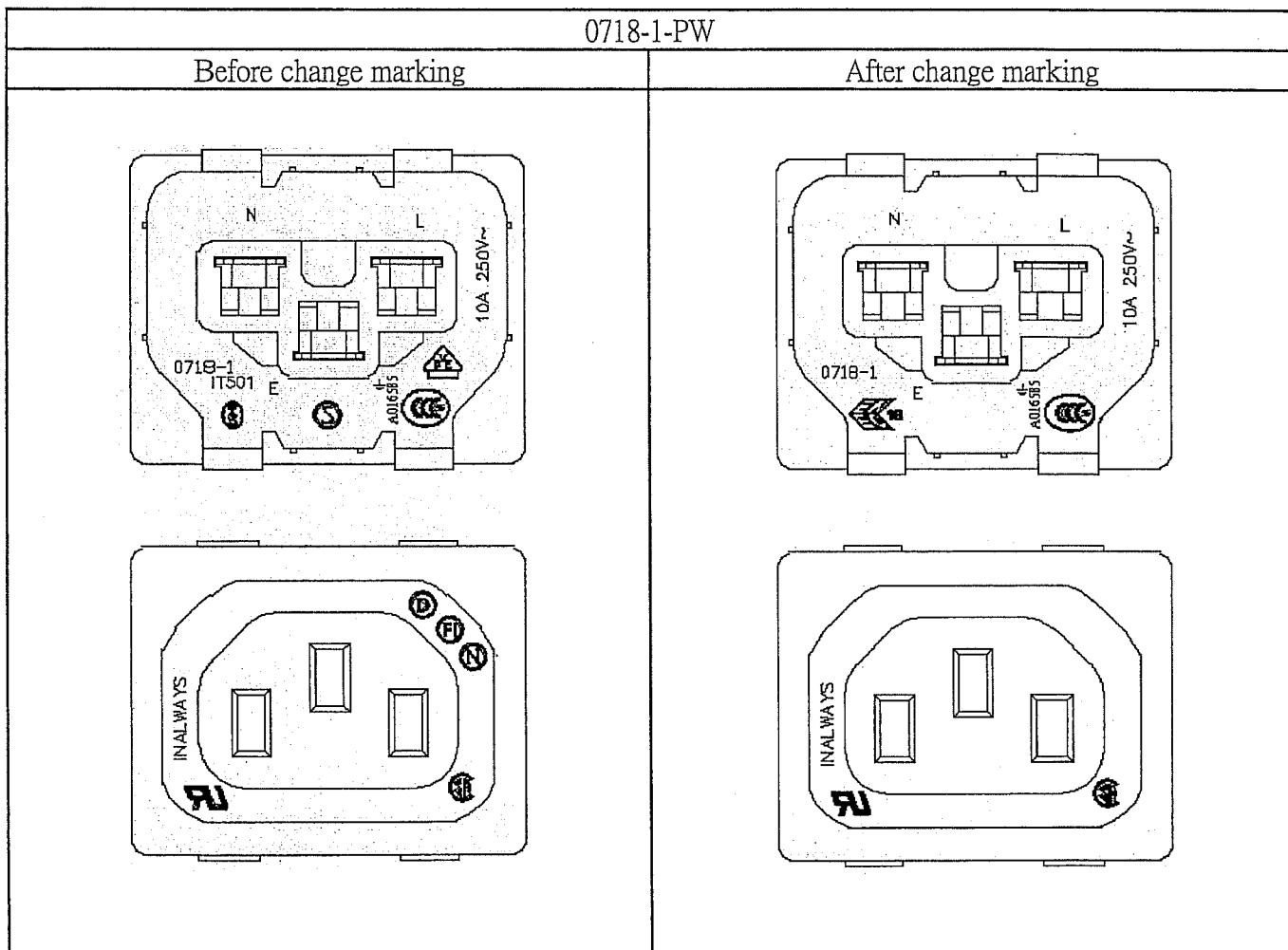


0707-2-CW	
Before change marking	After change marking
0708-1-CWF	
Before change marking	After change marking









Thanks regards,
 施欣怡 Ann Shih
 International Sales Dept. / Inalways Corp.
 Ph : + 886-2-2299-6370 ext. 608
 Cell : +886-939-910-169
www.inalways.com.tw