

**1 Products affected**

Product hierarchy no. *			Part no.	SBU	Type / Description	Customer part no.	
SBU	PG	PGU	Type				
01	002	023	0000000531	0031.8231 0031.8231.15	Circuit Protection	OGD	
01	002	025	0000000550	0031.8241 0031.8241.F1 0031.8242 0031.8242.F1	Circuit Protection	OGD-SMD	

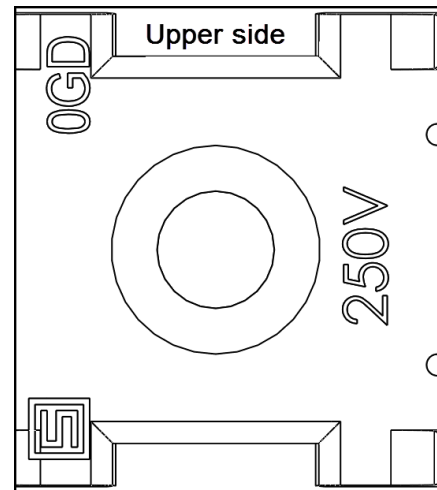
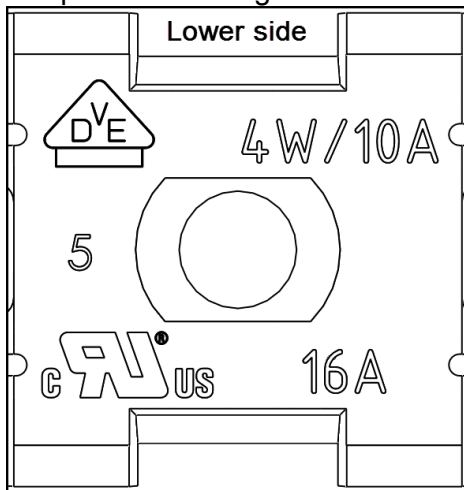
\*SBU (2-digit) / PG (3-digit) / PGU (3-digit) / Type (10-digit)

**2 Type of change**

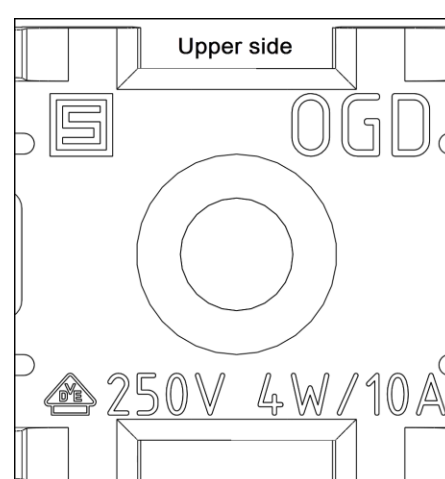
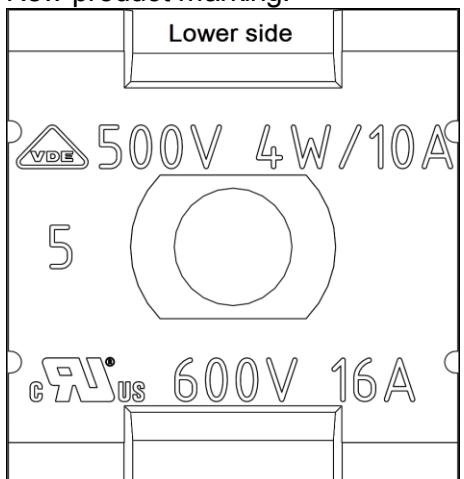
Change of the marking on the socket of the fuseholder.

**3 Detailed description of change**

Old product marking:



New product marking:



OGD/OGD-SMD					0118.2160	
creation date	created by	release date	released by	notification no.	revision	page
2013-01-22	arnetja	2013-02-18	arnetja	24330	-	1 of 2

#### 4 Reason of change

Marking of all ratings and approvals added on the fuseholder.

#### 5 Released date

Serial production start:

ww 05/2013

Date code on label 1305 or higher

#### 6 Impact of change and recommended action

Form: New marking  
Fit: No influence  
Function: No influence  
Production Site: No influence  
Product Label: No influence

#### 7 Reference Documents / Attachments

Kind of document	Document number	Remarks
Data Sheet	OGD	<a href="#">Web Link OGD</a>
Data Sheet	OGD-SMD	<a href="#">Web Link OGD-SMD</a>

OGD/OGD-SMD					0118.2160	
creation date	created by	release date	released by	notification no.	revision	page
2013-01-22	arnetja	2013-02-18	arnetja	24330	-	2 of 2