

Change In moulding process and placement cap for TSB24CS

| | |
|------------------|---|
| PCN Number | PCNTAI2706 |
| Publication Date | 27/06/2023 |
| Effectivity Date | 27/06/2023 |
| Change Summary | Addition of moulding step and different placement cap |
| Last Time Buy | N/A |
| Last Time Ship | N/A |

Functionality change

No change to functionality. In addition to change in moulding there has been a change to the design of the placement cap see appendix 6

Details of Change

Moulding of the central assembly of the USB type C connector has been changed from a 2 part moulding to 3 parts. Placement cap now anchors off the inside of the port not the outside.

Reason for change

Increased Reliability for end user

Appendix contents

Images of before and after change

These changes apply with immediate effect to shipments from manufacturer to Anglia. Anglia operates a strict FIFO system in our Distribution Centre facility; therefore, it may take time for this change to filter through to customer deliveries of the below part number(s).

Please make the relevant person(s) in your organisation aware of this change.

Yours Sincerely

Anglia

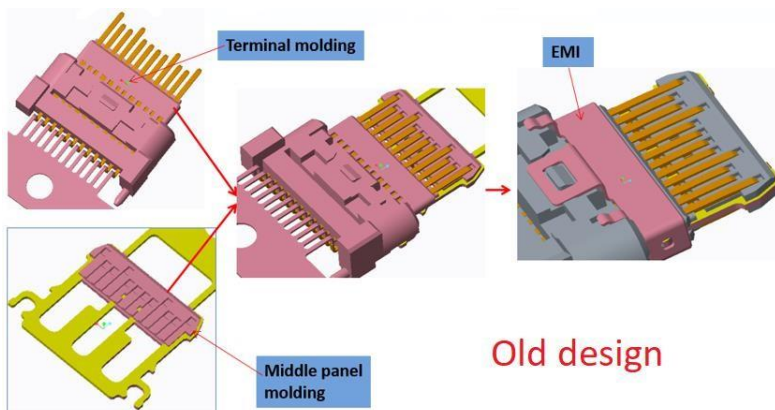
Affected Part Numbers

| PCN/PTN Number | Anglia Part Number | Brand |
|----------------|--------------------|--------|
| PCNTAI2706 | TSB24CS | Taicom |
| | | |
| | | |
| | | |
| | | |
| | | |
| | | |

Appendix

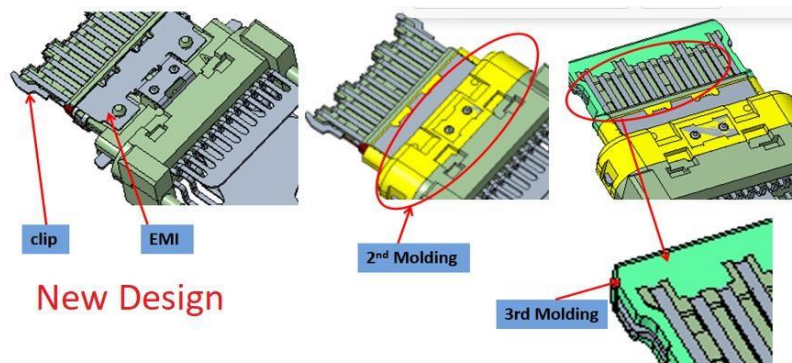
| Document | Location | Date |
|----------|----------|------------|
| Image 1 | BELOW | 09/06/2023 |
| Image 2 | BELOW | 09/06/2023 |
| Image 3 | BELOW | 09/06/2023 |
| Image 4 | BELOW | 09/06/2023 |
| Image 5 | BELOW | 09/06/2023 |
| Image 6 | BELOW | 09/06/2023 |

Image 1



Old design

Image 2



New Design

Image 3

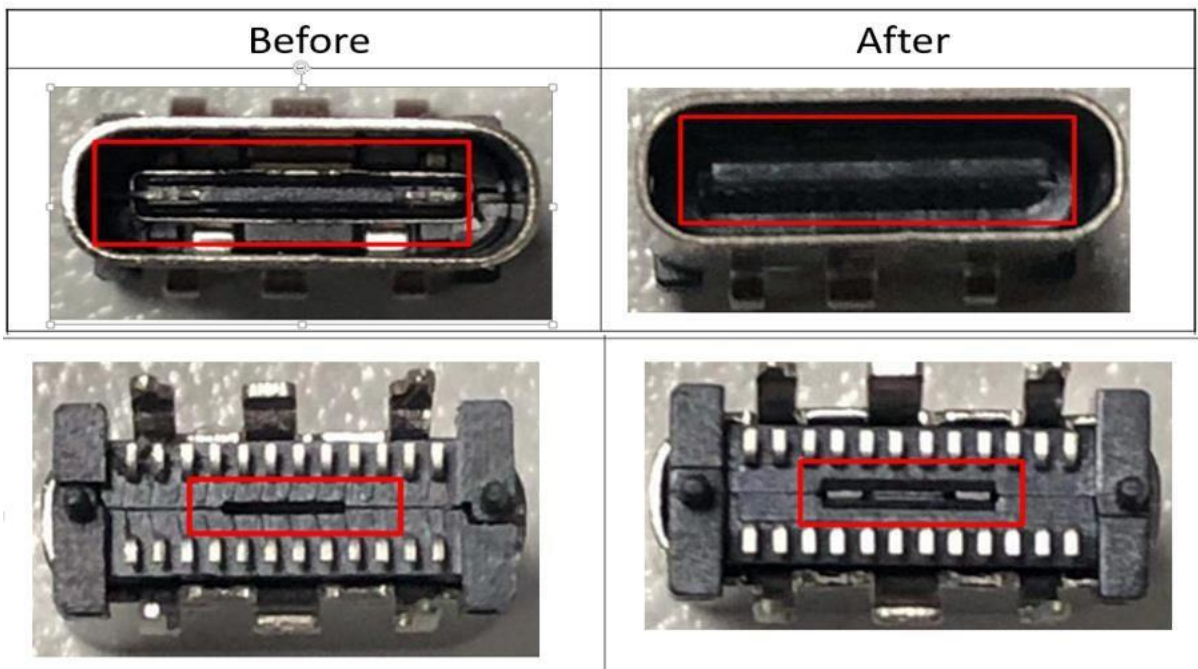


Image 4

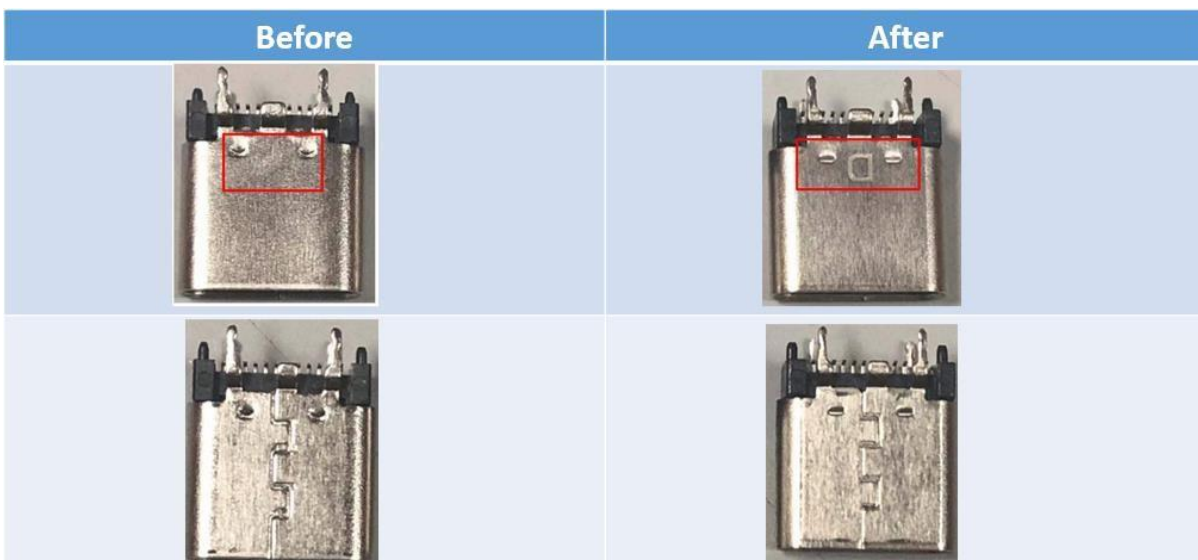


Image 5

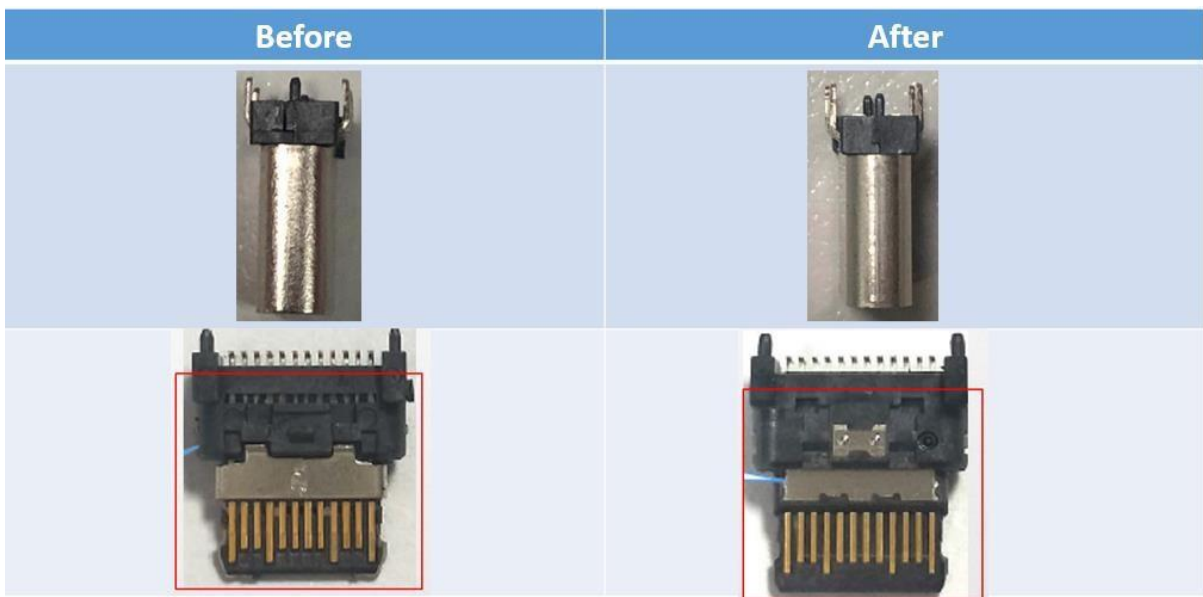


Image 6

