

Product Change Notice (PCN)

Date: **May 7, 2026**

PCN Number: **PCN-0420122R-01**

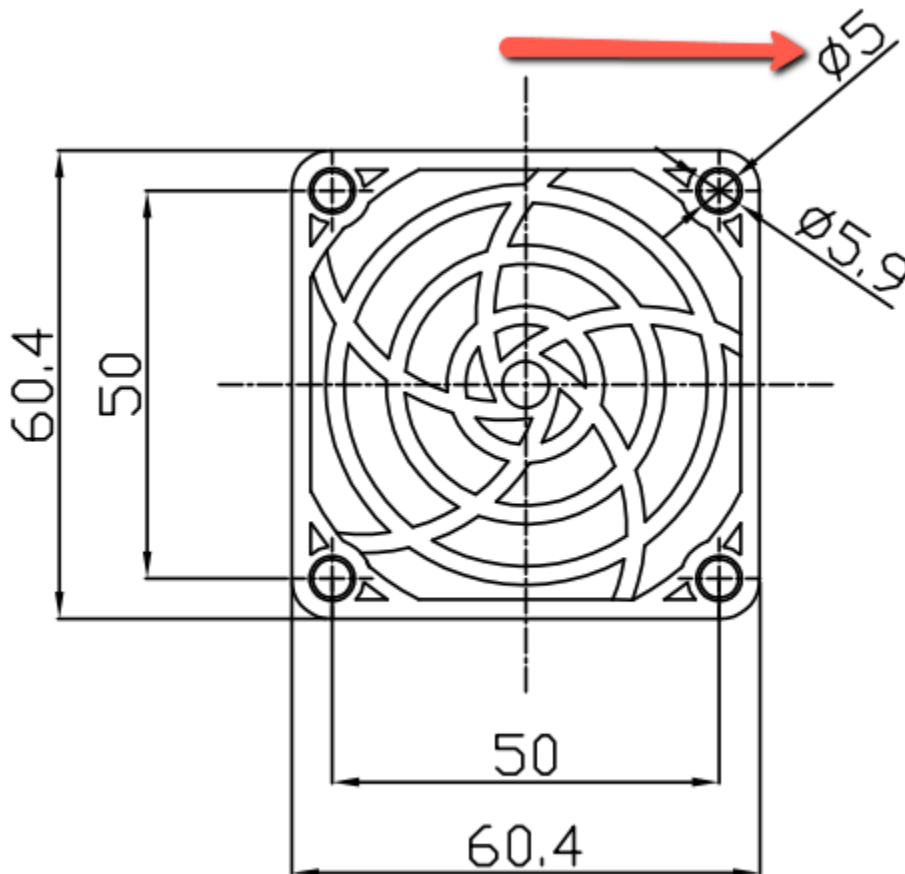
To Our Customers:

We appreciate your use of our products. Our commitment in maintaining and improving processes is demonstrated by plans to enhance our product quality, reliability, and manufacturability. The purpose of this notice is to inform you of a product change.

Product(s) Affected: *FGP-600*

Reason(s) for Change: *Mold adjustment*

Description of Change: *Mounting hole diameter changing from 4.3mm to 5mm*





Affected Date Code: *May 6, 2026*

Product Availability: *Currently available*

PCN Approval:

Operations/Quality



Product Management