

Notification Number: 261501

Date: 10-APR-2026

Product Identification and replacement:

Std Customer Specific

Manufacturer Part Number	Orderable Part Number (current)	Orderable Part Number (new, effective as of April 25th 2026)	Replacement for EOL Parts
SHT30-DIS-F2.5kS	1-101466-01	3.001.479	
SHT31-DIS-F2.5kS	1-101462-01	3.001.480	
SHT35-DIS-F2.5kS	1-101465-01	3.001.482	
SHT30-DIS-F10kS	1-101454-01	N/A (EOL)	SHT30-DIS-F2.5kS (3.001.479)
SHT31-DIS-F10kS	1-101463-01	3.001.481	
SHT35-DIS-F10kS	1-101469-01	N/A (EOL)	SHT35-DIS-F2.5kS (3.001.482)
SHT30-ARP-F2.5kS	1-101617-01	N/A (EOL)	N/A

Product Discontinuation Schedule:

Last Time Buy (non-cancelable & non-returnable):

April 24th, 2026

In case the PTFE raw material inventories are depleted, the change will be manually assigned by Sensirion on a rolling basis.

Last Time Delivery:

July 31st, 2026

Production Stop:

July 1st, 2026

Note:

The discontinuation of the SHT3x-xxx-F is driven by the transition of the filter membrane material from PTFE (Polytetrafluoroethylene) to PI (Polyimide). This change allows the continuity in our membrane supply, thus enhances the resilience of our supply chain.

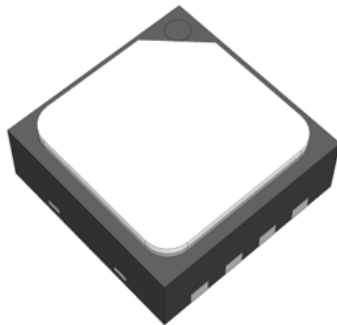
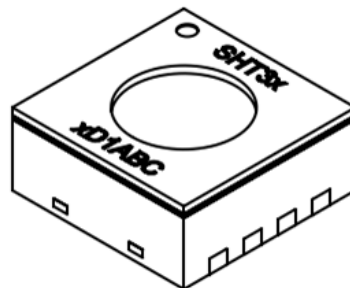
The continuity is ensured through the introduction of a replacement product, which is 100% compatible.

Replacement Product:

Orderable Part Number	Manufacturer Part Number
3.001.479	SHT30-DIS-F2.5kS
3.001.480	SHT31-DIS-F2.5kS
3.001.481	SHT31-DIS-F10kS
3.001.482	SHT35-DIS-F2.5kS

A set of replacement products will be introduced. Impact on Form, Fit and Function:

- **Function and performance:** Unchanged. The sensor specification, accuracy and response time remain identical. The PI membrane is IP68 certified and provides equivalent protection against dust and particles.
- **Fit:** The new PI membrane results in a slightly lower profile package height (0.05 mm difference). Full backward compatibility with existing PCB layouts (see technical drawings at the end of this document).
- **Appearance:** The sensor will have distinct visual appearance due to the new membrane material (see image comparison below).

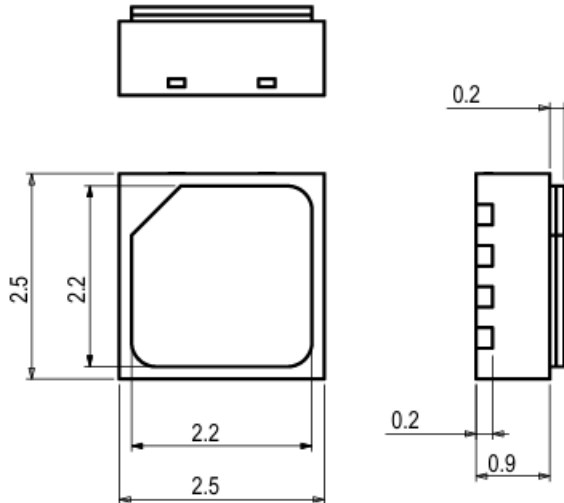
Current solution:**New solution:**

Should you have any questions regarding this Product Discontinuation announcement, please contact Sensirion.

Appendix: Technical drawings comparison

Technical drawings on the relevant datasheets will be updated in the upcoming weeks. Dimensions given in millimeters (mm).

Current technical drawing (PTFE membrane):



Updated technical drawing (PI membrane): lower height profile highlighted in yellow

