

11<sup>th</sup> March 2026 / RIR

## Product Information (PI2605)

# Optimisation within Housing Series 45

Valid as of now

**Contact**

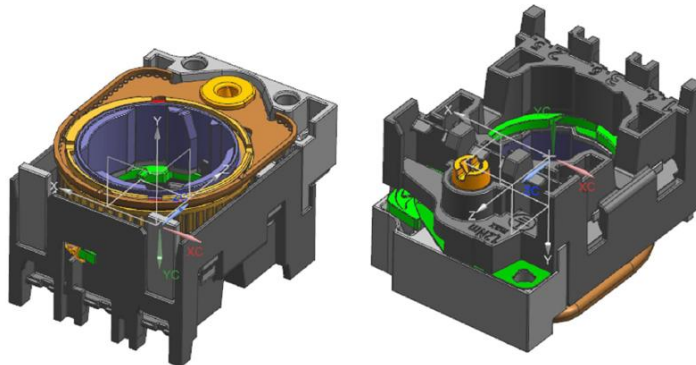
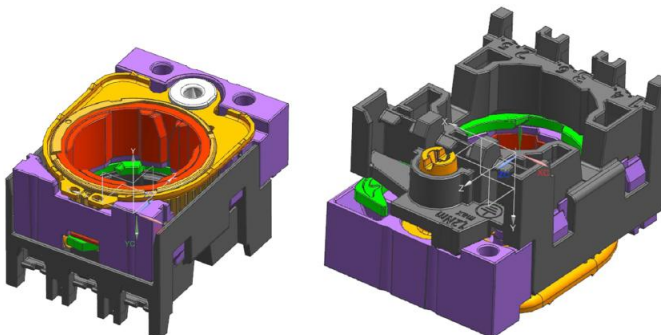
**Roy Richardson**  
 Technical Manager  
 Tel. +44 1444 876803  
[roy.richardson@eao.com](mailto:roy.richardson@eao.com)

**Series 45 – Optimisation within housing.**

Dear valued customer

Hereby we would like to inform you about a change to the following articles:

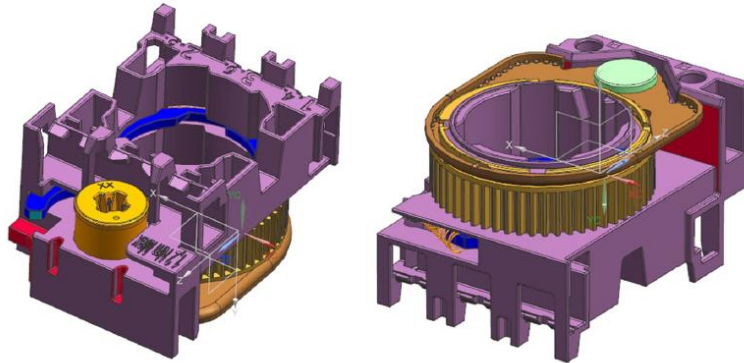
Article No.	Description
45-2300.2000.000	Holder for 3 elements, metal
45-2300.1000.000	Holder for 3 elements, plastic

**45-2300.2000.000****New****Previous****Please note:**

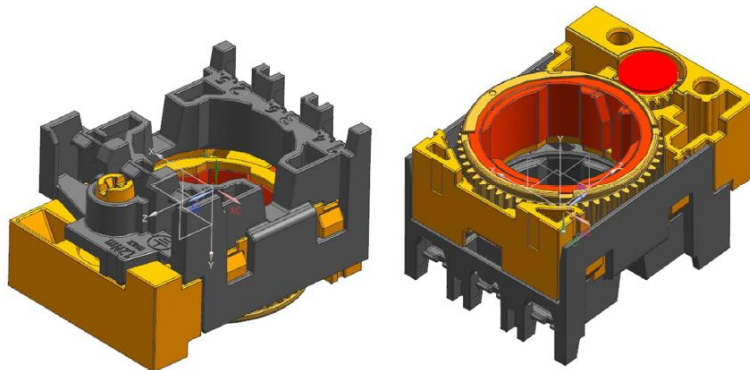
- Function remains unchanged
- Contours are slightly modified, with no technical impact
- Grounding system has been modified; a new grounding screw is required (change from slotted to PZ2)

45-2300.1000.000

New



Previous

**Please note:**

- Function remains unchanged
- Contours are slightly modified, with no technical impact

Please note that it is possible that mixed stock of older and newer versions may delivered during the period of change. The product change notification is available in the Product Notifications area in Downloads on the EAO website.

If you have any questions or require further information, please do not hesitate to contact us.

Kind regards,

Roy Richardson  
Technical Manager