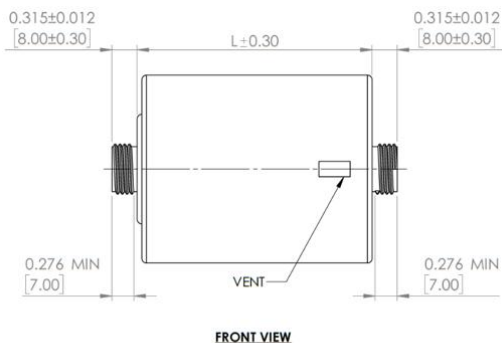


ECN/PCN No.: M1711

**For Manufacturer**

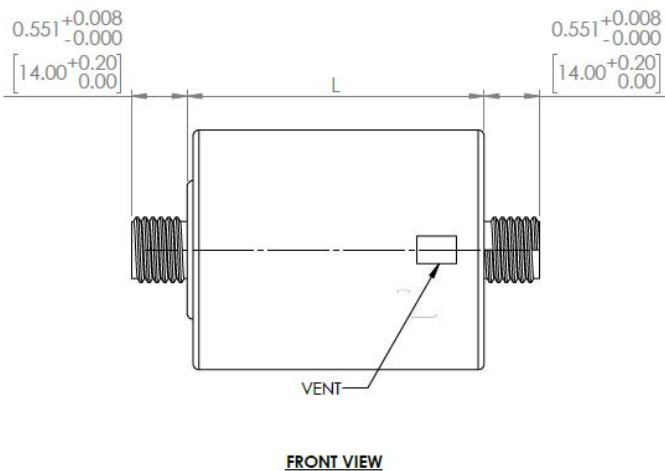
<b>Product Description:</b>  HIGH CAPACITANCE SUPERCAPACITORS	<b>Abracon Part Number / Part Series:</b>  ADCS-E02R7S	<input type="checkbox"/> Documentation only	<input checked="" type="checkbox"/> Series
		<input checked="" type="checkbox"/> ECN	<input type="checkbox"/> Part Number(s)
<b>Affected Revision:</b> IR	<b>New Revision:</b> A	<b>Application:</b>	<input type="checkbox"/> Safety <input checked="" type="checkbox"/> Non-Safety

**Prior to Change:**



Dimensions	$\phi D$	L
ADCS-E02R7SA657	2.362[60]	2.165[55]
ADCS-E02R7SA128	2.362[60]	2.952[75]
ADCS-E02R7SA158	2.362[60]	3.346[85]
ADCS-E02R7SA208	2.362[60]	4.133[105]
ADCS-E02R7SA308	2.362[60]	5.511[140]

**After Change:**



PART NUMBER	$\phi D \pm 0.5$	L ± 0.5
ADCS-E02R7SA128	2.387[60.5]	2.952[75]
ADCS-E02R7SA158	2.387[60.5]	3.346[85]
ADCS-E02R7SA208	2.387[60.5]	4.133[105]
ADCS-E02R7SA308	2.387[60.5]	5.433[138]

<b>Cause/Reason for Change:</b> Updating mechanical specs to include a new longer M16 stud/screw.		
<b>Change Plan</b>		
<b>Effective Date:</b> 3/26/2026	<b>Additional Remarks:</b>	
<b>Change Declaration:</b> Mechanical changes may affect product fit. These changes do not affect the products performance.		
<b>Issued Date:</b> 3/26/2026	<b>Issued By:</b> <i>Gerald Capwell</i>	<b>Issued Department:</b> Engineering
<b>Approval:</b> <i>Gerald Capwell</i> Director, Engineering	<b>Approval:</b> <i>Reuben Quintanilla</i> Quality Director	<b>Approval:</b> <i>Ying Huang</i> Purchasing Director
<b>For Abracon EOL only</b>		
<b>Last Time Buy (if applicable):</b>		<b>Alternate Part Number / Part Series:</b>
<b>Additional Approval:</b>	<b>Additional Approval:</b>	<b>Additional Approval:</b>
<b>Customer Approval (If Applicable)</b>		
<b>Qualification Status:</b> <input type="checkbox"/> Approved <input type="checkbox"/> Not accepted <i>Note: It is considered approved if there is no feedback from the customer 1 month after ECN/PCN is released.</i>		
<b>Customer Part Number:</b>		<b>Customer Project:</b>
<b>Company Name:</b>	<b>Company Representative:</b>	<b>Representative Signature:</b>
<b>Customer Remarks:</b>		