

Date : 2013.10.29

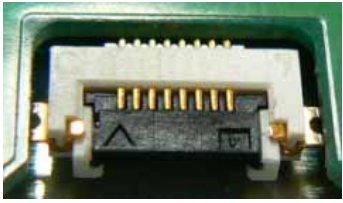

Dear Sirs & Madams,

Please be informed that the following technical change will be implemented to the following product you are currently purchasing.

1. Product

Part Name	TX14D26VM1BAA, TX14D26VM1BPA
-----------	------------------------------

2. Content of Change

Touch Panel Connector	Current	New
Supplier	ETC	JAE
Appearance		

The touch panel connector is used for standard 4wires resistive touch panel attached by KOE.

3. Impact on Product Specification

All specifications will remain the same.

4. Reason of Change

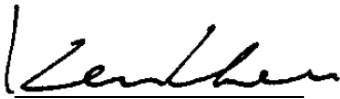
Component leadtime improvement.

5. Schedule

The change will implement by Nov, 2013.

Please let us know if this change causes any problem to you.

Thank you for your understanding.

Proposed by : 
Ken Chen / Section Manager
Direct LCM Design Section
KOE Design Department