

# **PRODUCT ADVISORY**

## **Data Sheet Specification Correction for Listed Intersil Products**

**Refer to:  
PA14035**

**Date: June 19, 2014**

June 19, 2014

To: Our Valued Intersil Customers

Subject: **Data Sheet Specification Correction for the listed Intersil Products**

This advisory is to inform you that Intersil has made corrections to the POD (Package Outline Drawing) referenced in the data sheet specification for the listed products. The updates to the POD correct the thickness (height) of the package body. The old POD is marked up below to identify the changes. There have been no changes to the package or product itself. The updated data sheets are available on the Intersil web site for the respective products.

<https://www.intersil.com/en/products.html>

Products affected:

ISL21010CFH315Z-TK	ISL21010DFH312Z-TK	ISL21080CIH325Z-TK	X60003BIG3Z-41T1
ISL21010CFH320Z-TK	ISL21070CIH320Z-TK	ISL21080CIH330Z-TK	X60003BIG3Z-50T1
ISL21010CFH325Z-TK	ISL21070CIH325Z-TK	ISL21080CIH333Z-TK	X60003CIG3Z-41T1
ISL21010CFH330Z-TK	ISL21070DIH306ZS2378	ISL21080CIH341Z-TK	X60003CIG3Z-50T1
ISL21010CFH333Z-TK	ISL21070DIH306Z-TK	ISL21080CIH350Z-TK	X60003DIG3Z-41
ISL21010CFH341Z-TK	ISL21080CIH315Z-T7A	ISL21080DIH309Z-TK	X60003DIG3Z-41T1
ISL21010DFH310ZS2705	ISL21080CIH315Z-TK	ISL21080DIH310Z-TK	X60003DIG3Z41T1S2378
ISL21010DFH310Z-TK	ISL21080CIH320Z-TK	ISL21080DIH312Z-TK	X60003DIG3Z-50T1

Intersil will take all necessary actions to conform to agreed upon customer requirements and to ensure the continued high quality and reliability of Intersil products being supplied. Customers may expect to continue receiving product processed to the same established conditions and systems used for manufacturing of material supplied today.

If you have concerns with this advisory, Intersil must hear from you promptly. Please contact the nearest Intersil Sales Office or call the Intersil Corporate line at 1-888-468-3774, in the United States, or 1-321-724-7143 outside of the United States.

Regards,



Jeff Touvell  
Intersil Corporation

PA14035

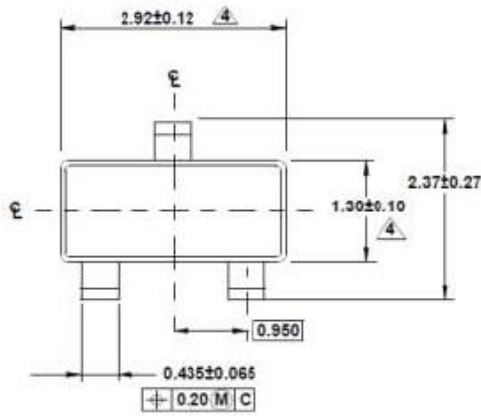
CC: P. Lee M. Carmody

**Old POD P3.064 (changes in red) – PA14035**

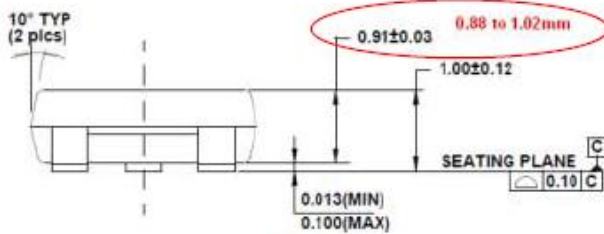
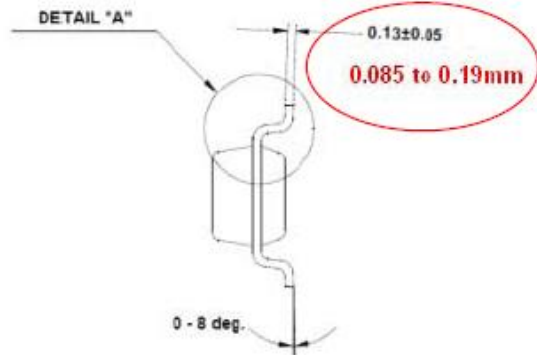
**P3.064**

3 LEAD SMALL OUTLINE TRANSISTOR PLASTIC PACKAGE (SOT23-3)

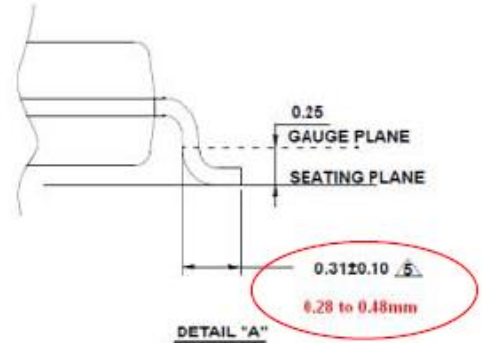
Rev 2, 9/09



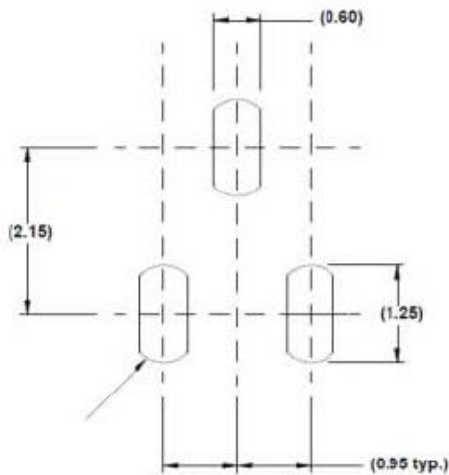
**TOP VIEW**



**SIDE VIEW**



**DETAIL "A"**



**TYPICAL RECOMMENDED LAND PATTERN**

**NOTES:**

1. Dimensions are in millimeters. Dimensions in ( ) for Reference Only.
2. Dimensioning and tolerancing conform to AMSEY14.5m-1994.
3. Reference JEDEC TO-236.
4. Dimension does not include interlead flash or protrusions. Interlead flash or protrusions shall not exceed 0.25mm per side.
5. Footlength is measured at reference to gauge plane.