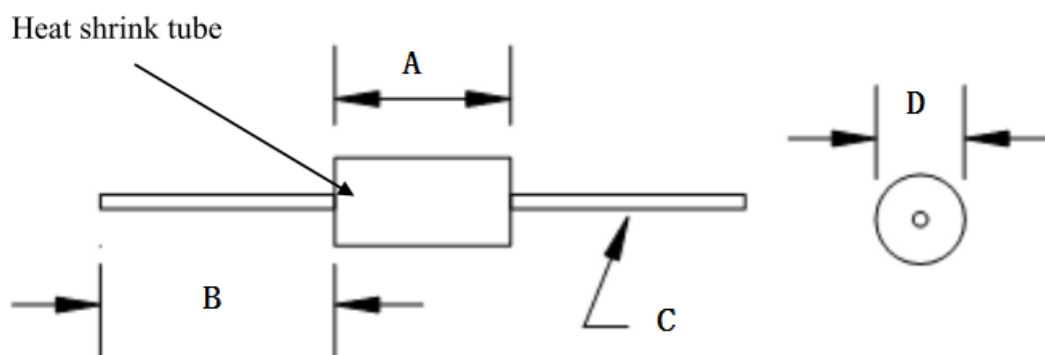


ECN/PCN No.: M1323

For Manufacturer			
Product Description: AXIAL POWER INDUCTOR	Abracon Part Number / Part Series: AIAP-02	<input type="checkbox"/> Documentation only <input checked="" type="checkbox"/> ECN <input type="checkbox"/> EOL	<input checked="" type="checkbox"/> Series <input type="checkbox"/> Part Number
Affected Revision: F	New Revision: G	Application:	<input type="checkbox"/> Safety <input checked="" type="checkbox"/> Non-Safety

Prior to Change:

1.0 Mechanical Dimensions

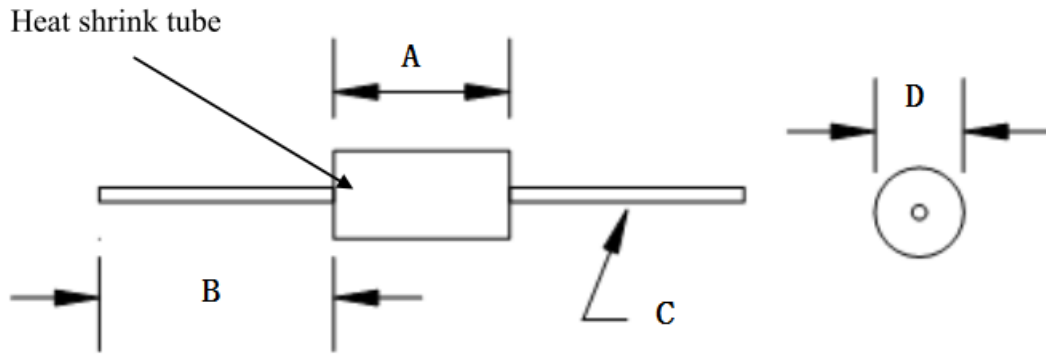


A	B	C	D
14.0 MAX	29.2 ±2	0.6	6.4 MAX

2.0 Packing (500pcs / bag)

After Change:

2.0 Mechanical Dimensions



A	B	C	D
14.0 MAX	29.2 ±2	0.8	6.8 MAX

3.0 Packing (105pcs / tray)

Cause/Reason for Change: packaging was changed to 105pcs/tray to prevent bending the leads; update to the diameter and leads thickness.

Change Plan

Effective Date:	Additional Remarks:
------------------------	----------------------------

Change Declaration: The change does not affect the function of the devices in the series.

Issued Date: 10/29/2012	Issued By: Ahmed Alamin	Issued Department: Engineering
-----------------------------------	-----------------------------------	--

Approval: Syed Raza Engineering VP	Approval: Reuben Quintanilla Quality Director	Approval: Ying Huang Purchasing Director
---	--	---

For Abracon EOL only

Last Time Buy (if applicable):	Alternate Part Number / Part Series:
---------------------------------------	---

Additional Approval:	Additional Approval:	Additional Approval:
-----------------------------	-----------------------------	-----------------------------

Customer Approval (If Applicable)

Qualification Status:

Approved Not accepted

Note: It is considered approved if there is no feedback from the customer 1 month after ECN/PCN is released.

Customer Part Number:	Customer Project:
------------------------------	--------------------------

Company Name:	Company Representative:	Representative Signature:
----------------------	--------------------------------	----------------------------------

Customer Remarks: