



PRODUCT CHANGE NOTIFICATION

MAGNETICS



Bourns® Model SM353230-181N7Y GbE Chip LAN Transformer

Core Design Change

Riverside, California – August 3, 2021 – Effective October 16, 2021, Bourns will change the core design of the [Model SM353230-181N7Y GbE Chip LAN Transformer](#). The modified core size will be slightly larger which will enable higher withstanding voltage for the transformer.

Affected Part Number

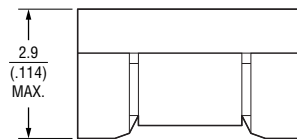
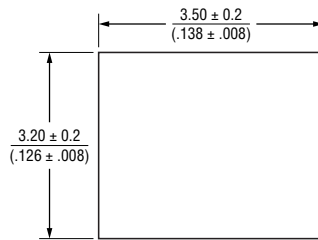
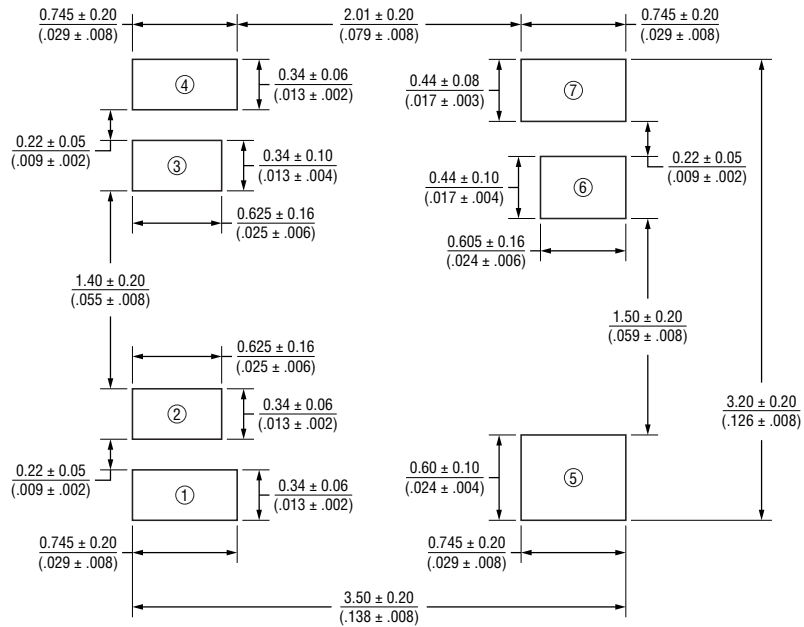
SM353230-181N7Y

~ Continued on page 2 ~

Users should verify that the described changes will not impact the performance of the product in their specific applications.

IC2173

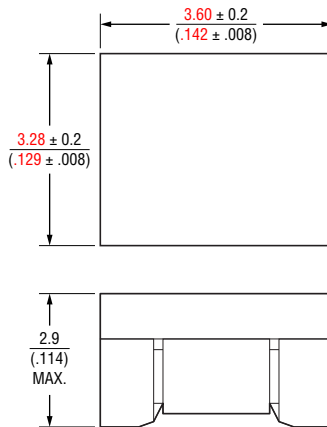
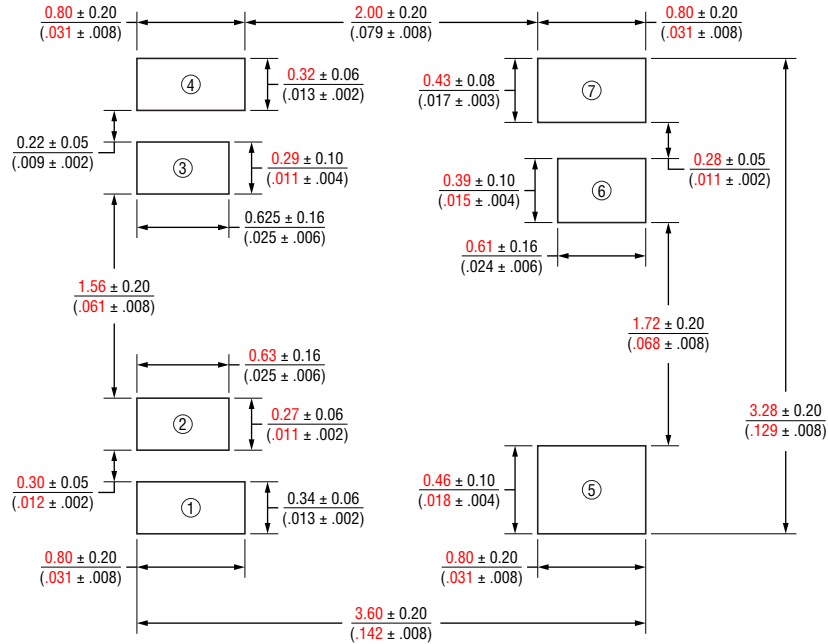
Dimensions of current component



Bottom view of current component



Dimensions of revised component



Bottom view of revised component



The Recommended Layout remains unchanged. Although slightly larger, the modified transformer can be applied to the existing pad layout.

The form and fit of the transformer will be changed. The function remains the same. The quality and reliability of the component should be improved as a result of the design change.

Samples of the redesigned transformer are available upon request.

Implementation dates are as follows:

Date that products with existing design will cease: **October 16, 2021**

Date that deliveries of products with modified design will begin: **October 17, 2021**

First date code using the above changes: **2142**

If you have any questions or need additional information, please feel free to contact [Customer Service/Inside Sales](#).