

# Independent Multicell Battery Stack Fault Monitor

## FEATURES

- Qualified for Automotive Applications
- Monitors Up to 12 Li-Ion Cells in Series (60V Max)
- Stackable Architecture Enables >1000V Systems
- 1% Maximum Overvoltage Detection Level Error
- Adjustable Overvoltage and Undervoltage Detection
- Self Test Features Guarantee Accuracy
- Robust Fault Detection Using Differential Signals
- Simple Pin-Strapped Configuration Allows Battery Monitoring without a Microcontroller
- 15.5ms to Monitor All Cells in a System
- Programmable Response Time
- Two Temperature Monitor Inputs
- Low Power Idle Mode
- 36-Lead SSOP Package

## APPLICATIONS

- Redundant Battery Monitor
- Hybrid Electric Vehicles
- Battery Backup Systems
- Power Systems Using Multiple Battery Cells

All registered trademarks and trademarks are the property of their respective owners.

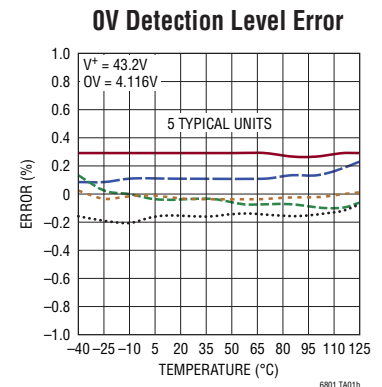
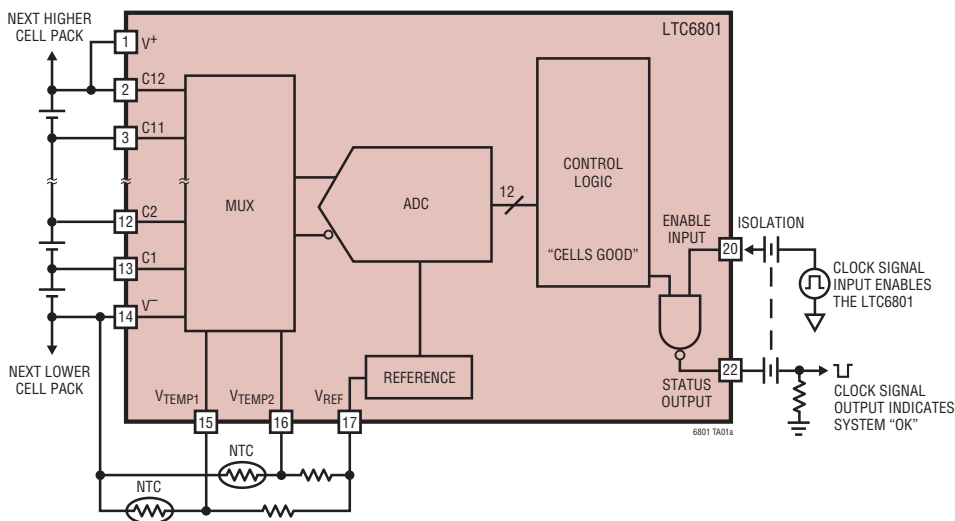
## DESCRIPTION

The **LTC<sup>®</sup>6801** is a multicell battery monitoring IC incorporating a 12-bit ADC, a precision voltage reference, sampled comparator, and a high voltage input multiplexer. The LTC6801 can monitor as many as 12 series connected battery cells for overvoltage, undervoltage, and over-temperature conditions, indicating whether the cells are within specified parameters. The LTC6801 generates a clock output when no fault conditions exist. Differential clocking provides high noise immunity and ensures that battery stack fault conditions cannot be hidden by frozen bits or short circuit conditions.

Each LTC6801 can operate with a battery stack voltage up to 60V and multiple LTC6801 devices can be stacked to monitor each individual cell in a long battery string. When multiple devices are stacked, the status signal of each LTC6801 can be daisy-chained, without opto-couplers or isolators, providing a single status output for the entire battery string.

The LTC6801 is configurable by external pin strapping. Adjustable overvoltage and undervoltage thresholds support various Li-Ion chemistries. Selectable measurement times allow users to save power.

## BLOCK DIAGRAM



# LTC6801

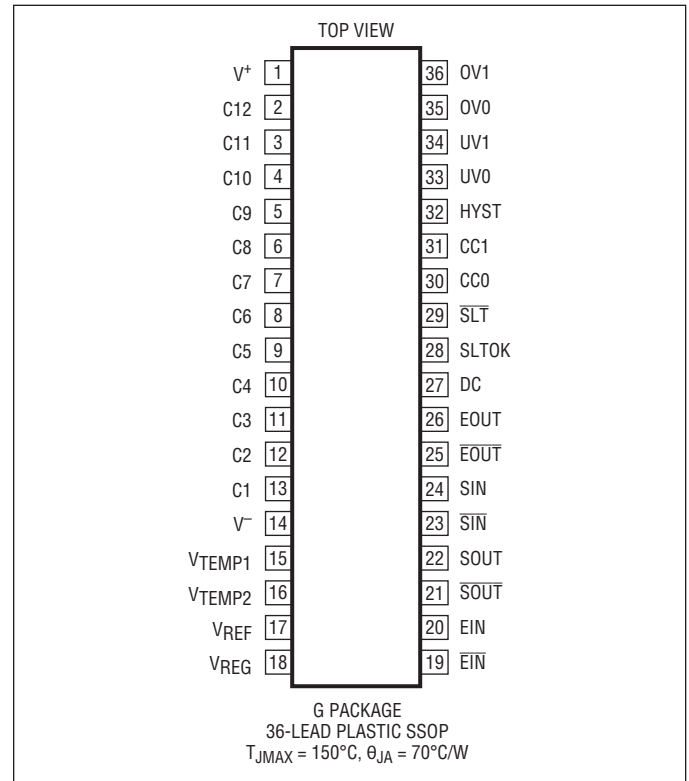
## ABSOLUTE MAXIMUM RATINGS

(Note 1)

Total Supply Voltage ( $V^+$ to $V^-$ )	60V
Input Voltage (Relative to $V^-$ )	
C1	-0.3V to 9V
C12	$V^+ - 0.3V$ to $V^+ + 0.3V$
All Other Pins (Not C Inputs)	-0.3V to 7V
Voltage Between Inputs	
Cn to Cn-1*	-0.3V to 9V
C12 to C8	-0.3V to 25V
C8 to C4	-0.3V to 25V
C4 to $V^-$	-0.3V to 25V
Operating Temperature Range	
LTC6801I	-40°C to 85°C
LTC6801H	-40°C to 125°C
Specified Temperature Range	
LTC6801I	-40°C to 85°C
LTC6801H	-40°C to 125°C
Junction Temperature	150°C
Storage Temperature Range	-65°C to 150°C

\*n = 2 to 12

## PIN CONFIGURATION



## ORDER INFORMATION

TUBE	TAPE AND REEL	PART MARKING*	PACKAGE DESCRIPTION	SPECIFIED TEMPERATURE RANGE
LTC6801IG#PBF	LTC6801IG#TRPBF	LTC6801G	36-Lead Plastic SSOP	-40°C to 85°C
LTC6801IG#3ZZPBF	LTC6801IG#3ZZTRPBF	LTC6801G	36-Lead Plastic SSOP	-40°C to 85°C
LTC6801HG#PBF	LTC6801HG#TRPBF	LTC6801G	36-Lead Plastic SSOP	-40°C to 125°C
LTC6801HG#3ZZPBF	LTC6801HG#3ZZTRPBF	LTC6801G	36-Lead Plastic SSOP	-40°C to 125°C

Contact the factory for parts specified with wider operating temperature ranges.

**Tape and reel specifications.** Some packages are available in 500 unit reels through designated sales channels with #TRMPBF suffix.

Versions of the LTC6801 models are available with controlled manufacturing to support the quality and reliability requirements of automotive applications. These models are available with #WTRPBF, #WPBF or #ZZPBF suffix and are listed in [ADI's ARPL](#).

Note that these automotive models may have specifications that differ from the commercial models; therefore designers should review the Electrical Characteristics section of this data sheet carefully. Only the automotive grade products shown are available for use in automotive applications. Contact your local Analog Devices account representative for specific product ordering information and to obtain the specific Automotive Reliability reports for these models.

## ELECTRICAL CHARACTERISTICS

The ● denotes the specifications which apply over the full operating temperature range, otherwise specifications are at  $T_A = 25^\circ\text{C}$ ,  $V^+ = 43.2\text{V}$ ,  $V^- = 0\text{V}$  unless otherwise noted.

SYMBOL	PARAMETER	CONDITIONS	MIN	TYP	MAX	UNITS	
<b>DC Specifications</b>							
$V_{ERR}$	Overvoltage (OV) or Undervoltage (UV) Detection Level Error	(Note 2) $2.106\text{V} \leq V_{CELL} \leq 4.498\text{V}$ $2.106\text{V} \leq V_{CELL} \leq 4.498\text{V}$ $1.531\text{V} \leq V_{CELL} < 2.106\text{V}$ $1.531\text{V} \leq V_{CELL} < 2.106\text{V}$ $V_{CELL} = 0.766\text{V}$ $V_{CELL} = 0.766\text{V}$	● ● ● ●	-0.8 -1 -1 -1.3 -1.5 -2	0.8 1 1 1.3 1.5 2	% % % % % %	
$V_S$	Supply Voltage, $V^+$ Relative to $V^-$	$V_{ERR}$ Specifications Met	●	10	50	V	
$V_{CELL}$	Cell Voltage Range	Full Scale Voltage Range		5		V	
$V_{CM}$	Common Mode Voltage Range Measured Relative to $V^-$	$V_{ERR}$ Specifications Met Range of Inputs Cn, n = 3 to 11 Range of Input C2 Range of Input C1	● ● ●	1.8 1.2 0	5 • n 10 5	V V V	
$V_{TV}$	Temperature Input Detection Level Error (Relative to $V_{REF}/2$ )	$10\text{V} < V^+ < 50\text{V}$	●	-13	17	mV	
HYS	UV/OV Detection Hysteresis Error (Relative to Selected Value)	$10\text{V} < V^+ < 50\text{V}$	●	-25	25	%	
$V_{REF}$	Reference Pin Voltage	$V_{REF}$ Pin Loaded With 100k to $V^-$	●	3.043 3.038	3.058 3.058	3.073 3.078	V V
	Reference Voltage Temperature Coefficient			8		ppm/ $^\circ\text{C}$	
	Reference Voltage Hysteresis			50		ppm	
	Reference Voltage Long Term Drift			60		ppm/ $\sqrt{\text{kHz}}$	
$V_{REG}$	Regulator Pin Voltage	$10\text{V} < V_S < 50\text{V}$ , No Load LTC6801IG LTC6801HG $10\text{V} < V_S < 50\text{V}$ , $I_{LOAD} = 4\text{mA}$ LTC6801IG LTC6801HG	● ● ● ●	4.5 4.5 4.1 4.1	5 5 4.8 4.8	5.5 5.7 V V	
	Regulator Pin Short Circuit Current Limit		●	5	9	mA	
$I_B$	Input Bias Current	In/Out of Pins C1 Thru C12 When Measuring Cells During Self Test When Measuring Cells When Idle	●	-10	100 1	$\mu\text{A}$ $\mu\text{A}$ nA	
$I_M$	Supply Current, Monitor Mode	Current into the $V^+$ Pin While Monitoring for UV and OV Conditions, $F_{ENA} = 10\text{kHz}$ Continuous Monitoring Continuous Monitoring Monitor Every 130ms (Note 3) Monitor Every 500ms (Note 3)	● ● ● ●	600 500 110 50	750 750 200 100	1000 1100 $\mu\text{A}$ $\mu\text{A}$ $\mu\text{A}$ $\mu\text{A}$	
$I_{QS}$	Supply Current, Idle	Current into the $V^+$ Pin When Idle, $F_{ENA} = 0$ LTC6801IG  LTC6801HG	● ● ●	23 20 23 20	30 30 30 30	42 $\mu\text{A}$ $\mu\text{A}$ $\mu\text{A}$ 48 $\mu\text{A}$	

### LTC6801 Timing Specifications

$T_{CYCLE}$	Measurement Cycle Time	$DC = CC1 = CC0 = V_{REG}$	●	13	15.5	19	ms
$F_{ENA}$	Valid E1N/E1N Frequency		●	2		40	kHz
$T_{ENA}$	Valid E1N/E1N Period = $1/F_{ENA}$		●	25		500	$\mu\text{s}$
$DC_{ENA}$	Valid E1N/E1N Duty Cycle	$F_{ENA} = 40\text{kHz}$	●	40		60	%

## ELECTRICAL CHARACTERISTICS

The ● denotes the specifications which apply over the full operating temperature range, otherwise specifications are at  $T_A = 25^\circ\text{C}$ ,  $V^+ = 43.2\text{V}$ ,  $V^- = 0\text{V}$  unless otherwise noted.

SYMBOL	PARAMETER	CONDITIONS	MIN	TYP	MAX	UNITS	
<b>LTC6801 Single Ended Digital I/O Specifications (SLT, SLTOK Pins)</b>							
$V_{IH}$	Digital Input Voltage High	SLT Pin	●	2		V	
$V_{IL}$	Digital Input Voltage Low	SLT Pin	●		0.5	V	
$V_{ODL}$	Digital Output Voltage Low, Open Drain	SLT Pin, 10k to $V_{REG}$	●		0.3	V	
$V_{OH}$	Digital Output Voltage High	SLTOK Pin, 10k to $V^-$	●	$V_{REG} - 0.3$		V	
$V_{OL}$	Digital Output Voltage Low	SLTOK Pin, 10k to $V_{REG}$	●		0.3	V	
$I_{PU-ST}$	Pull-Up Current	SLT Pin	●	2.5	5	10	$\mu\text{A}$
<b>LTC6801 Differential Digital Input Specifications (SIN/SIN, EIN/EIN Pins) (See Figure 1)</b>							
$V_{IDH}$	Minimum Differential Input Voltage High	Differential Voltage Applied Between SIN and SIN or EIN and EIN	●	1.7		V	
$V_{IDL}$	Minimum Differential Input Voltage Low		●		-1.7	V	
$V_{IL}$	Valid Input Voltage Low	Low Side of Differential Signal, Ref. to $V^-$	●	0	1.2	V	
$V_{IH}$	Valid Input Voltage High	High Side of Differential Signal, Ref. to $V^-$	●	2.5	6	V	
$V_{DHYS}$	Differential Input Hysteresis			1		V	
$V_{OPEN}$	Open Circuit Voltage		●	2	2.5	3	V
$R_{INCM}$	Input Resistance, Common Mode		●	100	150	k $\Omega$	
$R_{INDIFF}$	Input Resistance, Differential	Between SIN to SIN, EIN to EIN	●	200	300	k $\Omega$	
<b>LTC6801 Differential Digital Output Specifications (SOUT/SOUT, EOUT/EOUT Pins)</b>							
$V_{ODH}$	Digital Output Voltage High	Output Pins Loaded With 100k to $V^-$	●	$V_{REG} - 0.4$		V	
$V_{ODL}$	Digital Output Voltage Low	Output Pins Loaded With 100k to $V_{REG}$	●		0.4	V	
<b>LTC6801 Three-Level Digital Input Specifications (OVO, OV1, UV0, UV1, HYST, DC, CC0 and CC1 Pins)</b>							
$V_{3IH}$	Three-Level Digital Input Voltage High		●	$V_{REG} - 0.3$		V	
$V_{3IM}$	Three-Level Digital Input Voltage Mid		●	$V_{REF} - 0.3$	$V_{REF} + 0.3$	V	
$V_{3IL}$	Three-Level Digital Input Voltage Low		●		0.3	V	
$I_{PU}$	Pull-Up Current	Pins DC, CC0, CC1, UV0 and UV1	●	0.5	1	2	$\mu\text{A}$
$I_{PD}$	Pull-Down Current	Pins HYST, OVO and OV1	●	0.5	1	2	$\mu\text{A}$

**Note 1:** Stresses beyond those listed under Absolute Maximum Ratings may cause permanent damage to the device. Exposure to any Absolute Maximum Rating condition for extended periods may affect device reliability and lifetime.

**Note 2:**  $V_{CELL}$  refers to the voltage applied across the following pin combinations:  $C_n$  to  $C_{n-1}$  for  $n = 2$  to 12,  $C_1$  to  $V^-$ .

**Note 3:** Guaranteed by continuous monitoring supply current specifications, not subject to test.

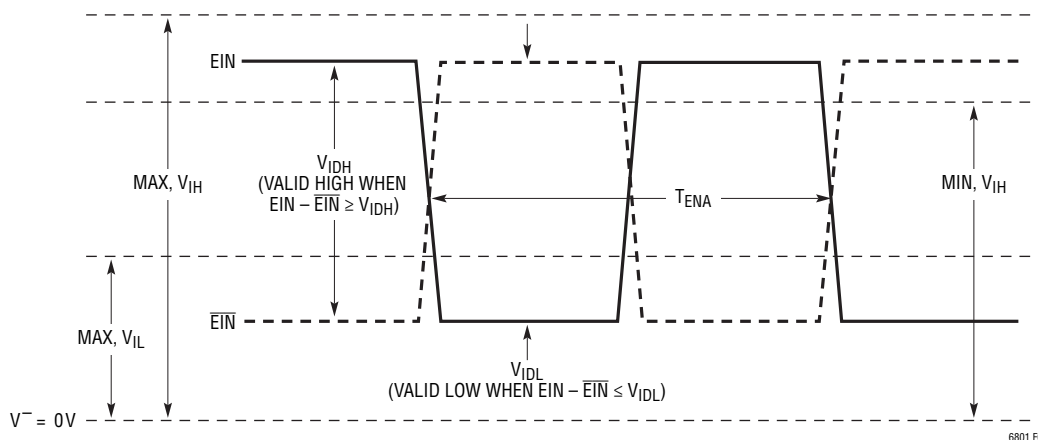
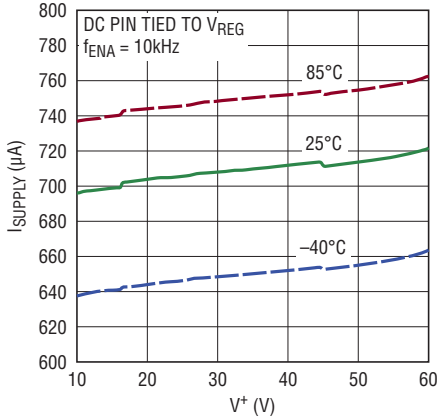


Figure 1. Differential Input Specifications

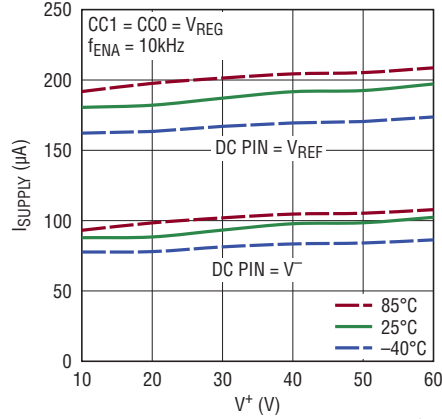
6801 F01

# TYPICAL PERFORMANCE CHARACTERISTICS

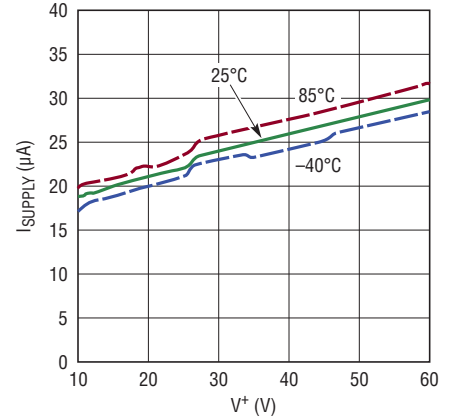
**Supply Current, Monitor Mode**



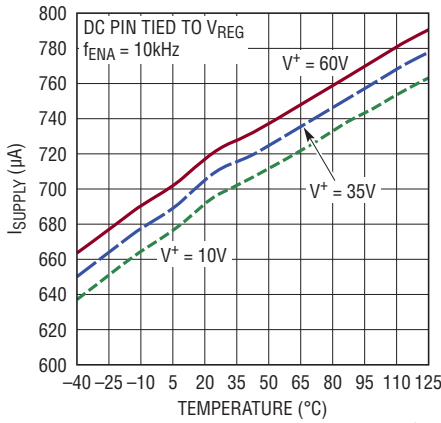
**Supply Current, Monitor Mode**



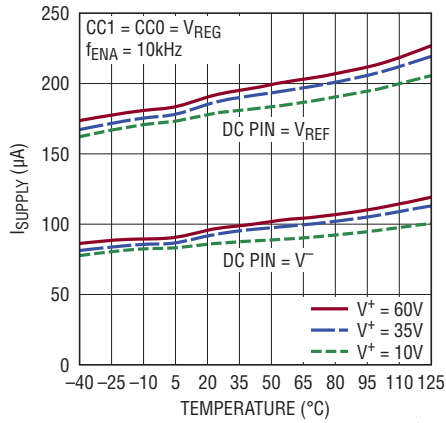
**Supply Current, Idle Mode**



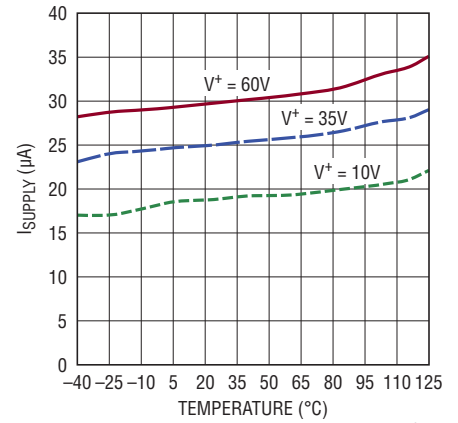
**Supply Current, Monitor Mode**



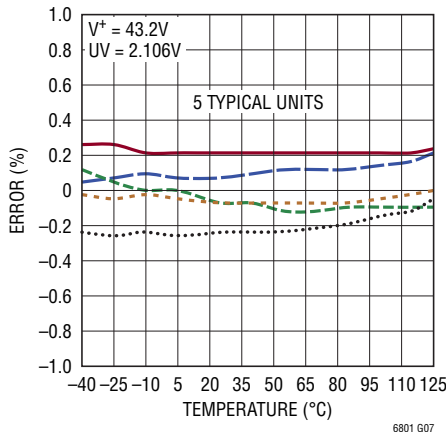
**Supply Current, Monitor Mode**



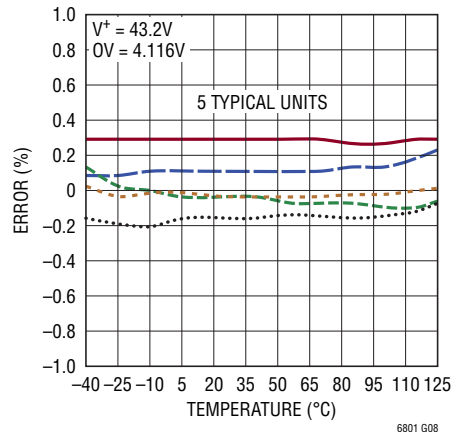
**Supply Current, Idle Mode**



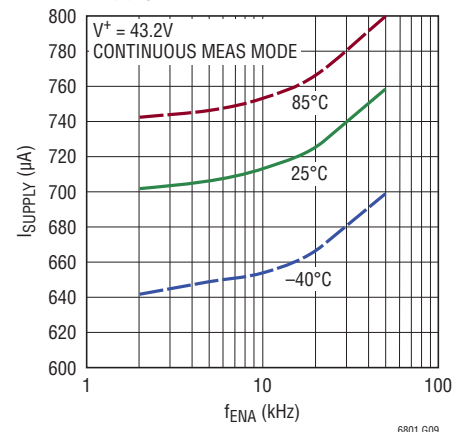
**UV Detection Level Error**



**OV Detection Level Error**

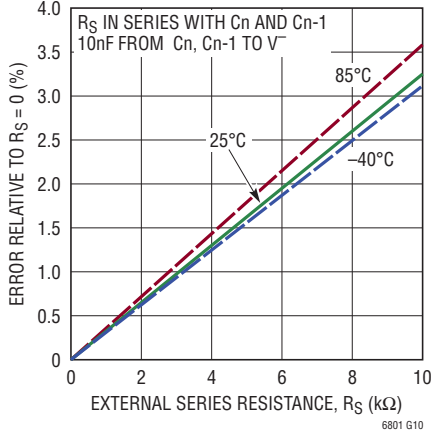


**Supply Current**

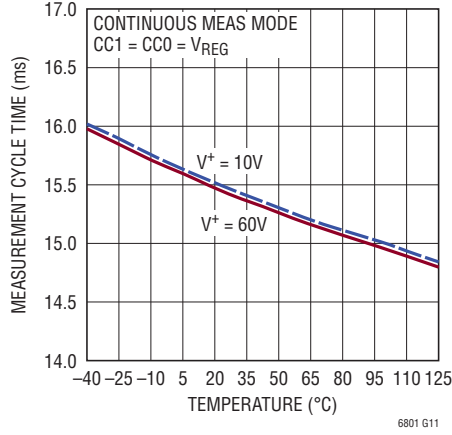


## TYPICAL PERFORMANCE CHARACTERISTICS

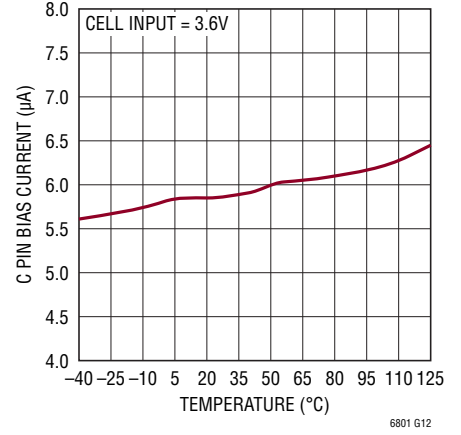
### UV/OV Detection Level Error



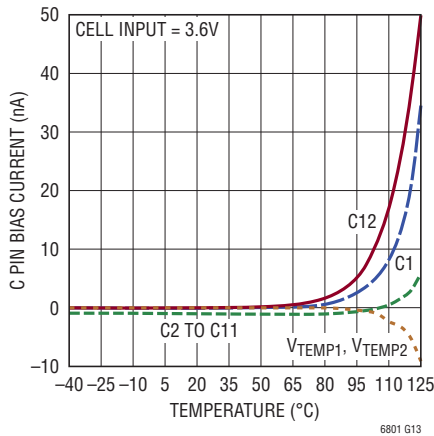
### Measurement Cycle Time



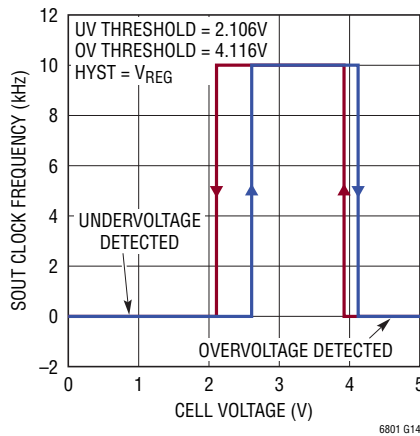
### Cell Input Bias Current when Measuring



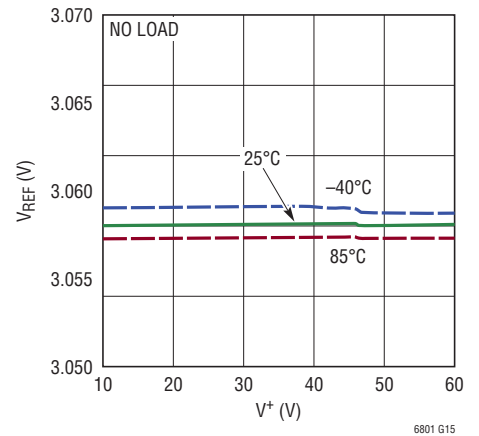
### Cell Input Bias Current, Idle Mode



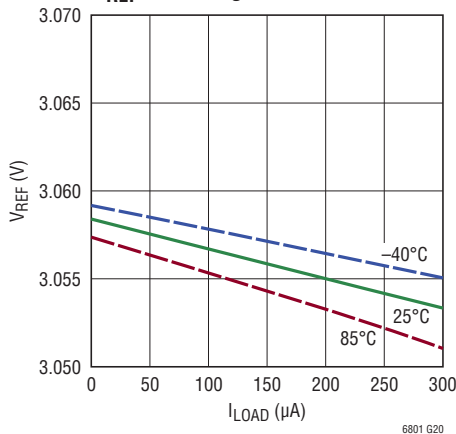
### Cell Voltage Measurement Hysteresis



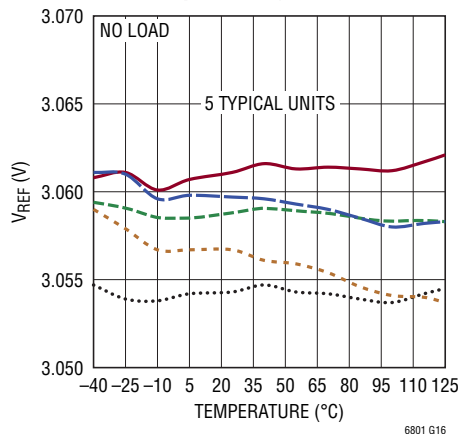
### V<sub>REF</sub> Line Regulation



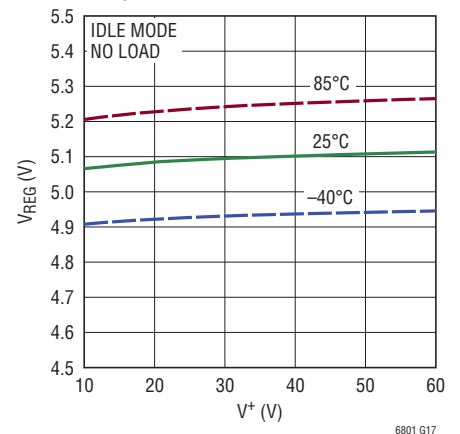
### V<sub>REF</sub> Load Regulation



### V<sub>REF</sub> Output Voltage

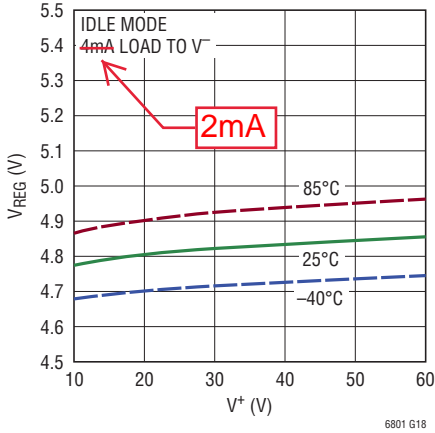


### V<sub>REF</sub> Line Regulation



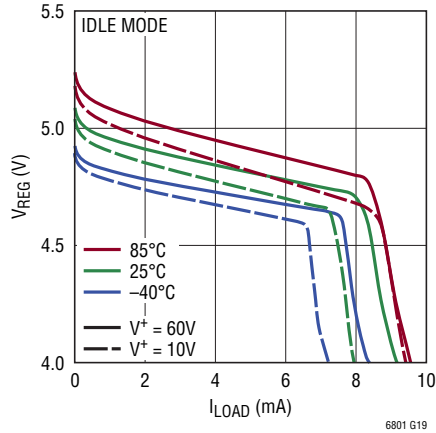
# TYPICAL PERFORMANCE CHARACTERISTICS

**V<sub>REG</sub> Line Regulation**



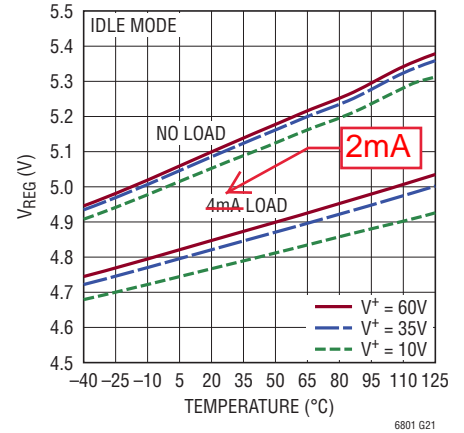
6801 G18

**V<sub>REG</sub> Load Regulation**



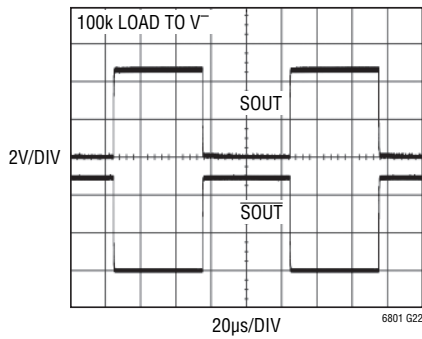
6801 G19

**V<sub>REG</sub> Output Voltage**



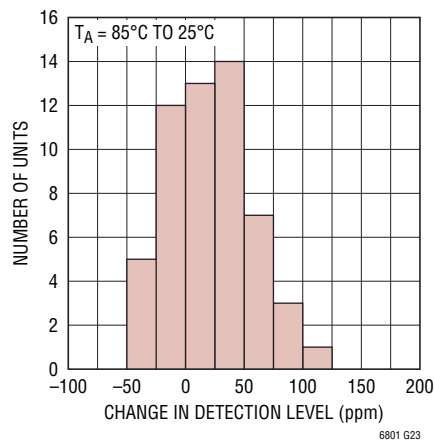
6801 G21

**Status Output Operating at 10kHz**



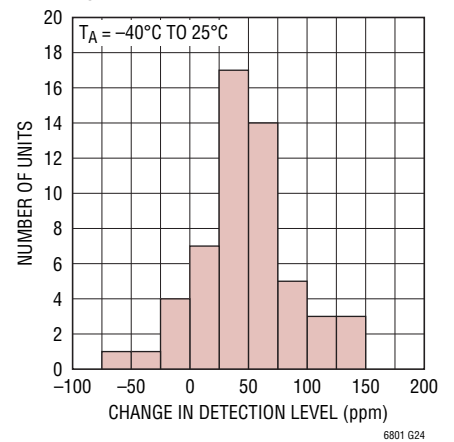
6801 G22

**UV/OV Detection Level Thermal Hysteresis**



6801 G23

**UV/OV Detection Level Thermal Hysteresis**



6801 G24



## PIN FUNCTIONS

**V<sup>+</sup> (Pin 1):** Supply Voltage. Tied to the most positive potential in the battery stack. For example, the same potential as C12 when measuring a stack of 12 cells, or the same potential as C7 when measuring a stack of 7 cells.

**C12, C11, ... C1 (Pin 2 to Pin 13):** Cell Voltage Inputs. Up to 12 cells can be monitored. The lowest potential is tied to V<sup>-</sup>. The next lowest potential is tied to C1 and so forth. Due to internal overvoltage protection, each C input must be tied to a potential equal to or greater than the next lower numbered C input. See the figures in the Applications Information section for more details on connecting batteries to the LTC6801. See Electrical Characteristics table for voltage range and input bias current requirements.

**V<sup>-</sup> (Pin 14):** Tied to the most negative cell potential (bottom of monitored cell stack).

**V<sub>TEMP1</sub>, V<sub>TEMP2</sub> (Pin 15, Pin 16):** Temperature Sensor Inputs. The ADC will measure the voltages on V<sub>TEMP1</sub> and V<sub>TEMP2</sub> relative to V<sup>-</sup>. The ADC measurements are referenced to the V<sub>REF</sub> pin voltage. Therefore a simple thermistor and resistor combination connected to the V<sub>REF</sub> pin can be used to monitor temperature. These pins have a fixed undervoltage threshold equal to one half V<sub>REF</sub>. A filtering capacitor to V<sup>-</sup> is recommended. Temperature sensor input pins may be tied to V<sub>REF</sub> to disable.

**V<sub>REF</sub> (Pin 17):** Reference Output, Nominally 3.058V. Requires a 1μF bypass capacitor to V<sup>-</sup>. The V<sub>REF</sub> pin can drive a 100k resistive load connected to V<sup>-</sup>. V<sub>REF</sub> must be buffered with an LT6003 amplifier, or similar device to drive heavier loads. V<sub>REF</sub> becomes high impedance when the IC is disabled or idle between monitoring events.

**V<sub>REG</sub> (Pin 18):** Regulator Output, Nominally 5V. Requires a 1μF bypass capacitor to V<sup>-</sup>. The V<sub>REG</sub> pin is capable of supplying up to 4mA to an external load and is continually enabled.

**EIN, E<sub>IN</sub> (Pin 19, Pin 20):** Differential Enable Input. A clock signal greater than 2kHz will enable the LTC6801.

For operation with a single-ended enable signal (up to 10kHz), drive EIN and connect a 1nF capacitor from E<sub>IN</sub> to V<sup>-</sup>.

**SOUT, S<sub>OUT</sub> (Pin 21, Pin 22):** Differential Status Output. Swings V<sup>-</sup> to V<sub>REG</sub>. This output will toggle at the same frequency as E<sub>IN</sub>/E<sub>IN</sub> when a valid signal is detected at SIN/SIN and the battery stack being monitored is within specified parameters, otherwise SOUT is low and S<sub>OUT</sub> high.

**SIN, S<sub>IN</sub> (Pin 23, Pin 24):** Differential status input from the IC above. To indicate that the stack is good, SIN must be the same frequency and phase as E<sub>IN</sub>. See applications circuits for interfacing SIN to the SOUT above.

**E<sub>OUT</sub>, E<sub>OUT</sub> (Pin 25, Pin 26):** A Buffered Version of E<sub>IN</sub>/E<sub>IN</sub>. Swings V<sup>-</sup> to V<sub>REG</sub>. Must be capacitively coupled to the E<sub>IN</sub>/E<sub>IN</sub> inputs of the next higher voltage LTC6801 in a stack, or looped to SIN/SIN of the same chip (pins 23, 24).

**DC (Pin 27):** Duty Cycle Three-Level Input. This pin may be tied to V<sub>REG</sub>, V<sub>REF</sub> or V<sup>-</sup>. The DC pin selects the duty cycle of the monitoring function and has an internal pull-up to V<sub>REG</sub>. See Table 3.

**SLTOK (Pin 28):** Self Test Logic Output. SLTOK is held HIGH (V<sub>REG</sub> voltage) upon reset or successful completion of a self test cycle. A LOW output level (V<sup>-</sup> voltage) indicates the last self test cycle failed.

**SLT (Pin 29):** Self Test Open Collector Input/Output. SLT initiates a self test cycle when it is pulled low externally. When a high to low transition is detected, the next scheduled measurement cycle will be a self test cycle. SLT indicates a self test cycle is in progress when pulled low internally. A self test is automatically initiated after 1024 measurement cycles. This pin has an internal pull-up to V<sub>REG</sub>.

**CC0, CC1 (Pin 30, Pin 31):** Cell Count Three-Level Inputs. These pins may be tied to V<sub>REG</sub>, V<sub>REF</sub> or V<sup>-</sup>. CC1 and CC0 select the number of cells attached to the device and each pin has an internal pull-up to V<sub>REG</sub>. See Table 5.



## PIN FUNCTIONS

**HYST (Pin 32):** Hysteresis Three-Level Input. This pin may be tied to  $V_{REG}$ ,  $V_{REF}$  or  $V^-$ . HYST selects the amount of hysteresis applied to the undervoltage and overvoltage threshold settings and has an internal pull-down to  $V^-$ . See Table 4.

**UV0, UV1 (Pin 33, Pin 34):** Undervoltage Three-Level Inputs. These pins may be tied to  $V_{REG}$ ,  $V_{REF}$  or  $V^-$ . UV1 and UV0 select the undervoltage threshold and each pin has an internal pull-up to  $V_{REG}$ . See Table 2.

**OV0, OV1 (Pin 35, Pin 36):** Overvoltage Three-Level Inputs. These pins may be tied to  $V_{REG}$ ,  $V_{REF}$  or  $V^-$ . OV1 and OV0 select the overvoltage threshold and each pin has an internal pull-down to  $V^-$ . See Table 1.

**Table 1. Overvoltage Inputs**

OV1	OV0	OVERVOLTAGE THRESHOLD (V)
$V_{REG}$	$V_{REG}$	4.498
$V_{REG}$	$V_{REF}$	4.403
$V_{REG}$	$V^-$	4.307
$V_{REF}$	$V_{REG}$	4.211
$V_{REF}$	$V_{REF}$	4.116
$V_{REF}$	$V^-$	4.020
$V^-$	$V_{REG}$	3.924
$V^-$	$V_{REF}$	3.828
$V^-$	$V^-$	3.733

**Table 2. Undervoltage Inputs**

UV1	UV0	UNDERVOLTAGE THRESHOLD (V)
$V_{REG}$	$V_{REG}$	2.871
$V_{REG}$	$V_{REF}$	2.680
$V_{REG}$	$V^-$	2.489
$V_{REF}$	$V_{REG}$	2.297
$V_{REF}$	$V_{REF}$	2.106
$V_{REF}$	$V^-$	1.914
$V^-$	$V_{REG}$	1.723
$V^-$	$V_{REF}$	1.531
$V^-$	$V^-$	0.766

**Table 3. Duty Cycle Select**

DC	NOMINAL CYCLE TIME*
$V_{REG}$	15.5ms
$V_{REF}$	Approximately 130ms
$V^-$	Approximately 500ms

\*Cycle time based on LTC6801 measuring 12 cells and 2 temperatures.

**Table 4. Hysteresis Select**

HYST	UV HYSTERESIS*	OV HYSTERESIS
$V_{REG}$	500mV	200mV
$V_{REF}$	250mV	100mV
$V^-$	0mV	0mV

\*UV hysteresis is disabled when the undervoltage threshold is set to 0.766V.

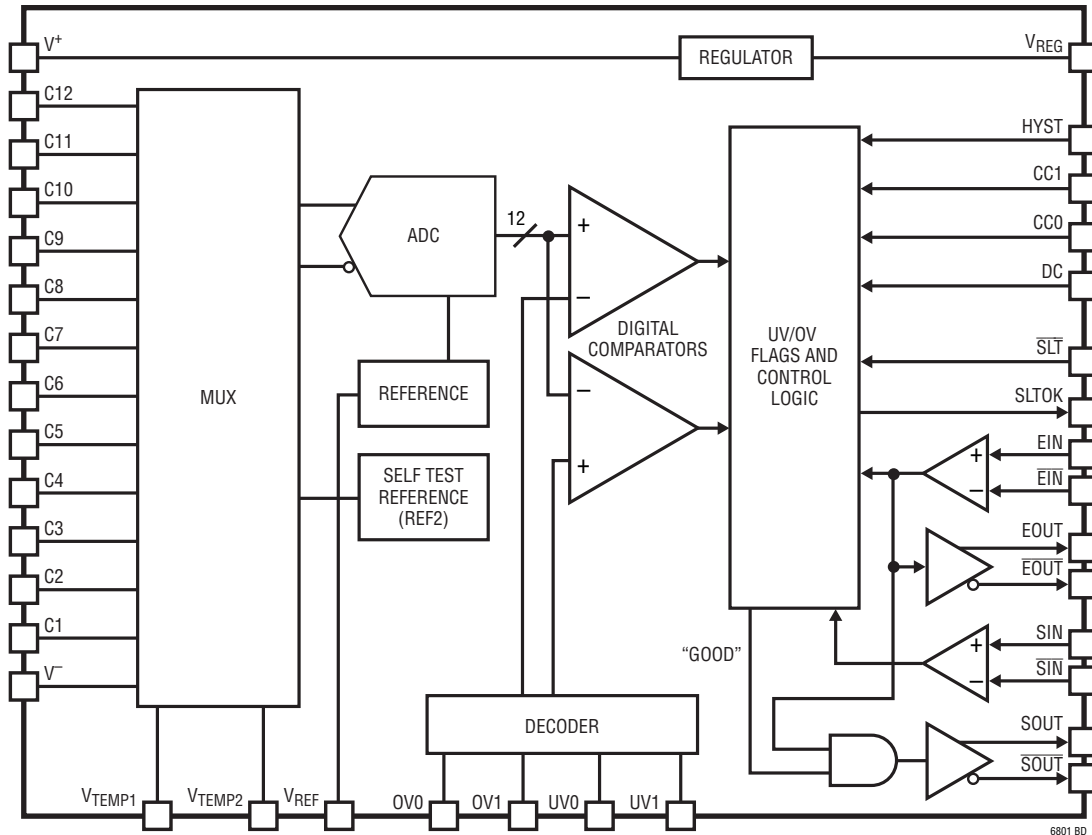
**Table 5. Cell Count Select**

CC1	CC0	CELL COUNT
$V_{REG}$	$V_{REG}$	12
$V_{REG}$	$V_{REF}$	11
$V_{REG}$	$V^-$	10
$V_{REF}$	$V_{REG}$	9
$V_{REF}$	$V_{REF}$	8
$V_{REF}$	$V^-$	7
$V^-$	$V_{REG}$	6
$V^-$	$V_{REF}$	5
$V^-$	$V^-$	4

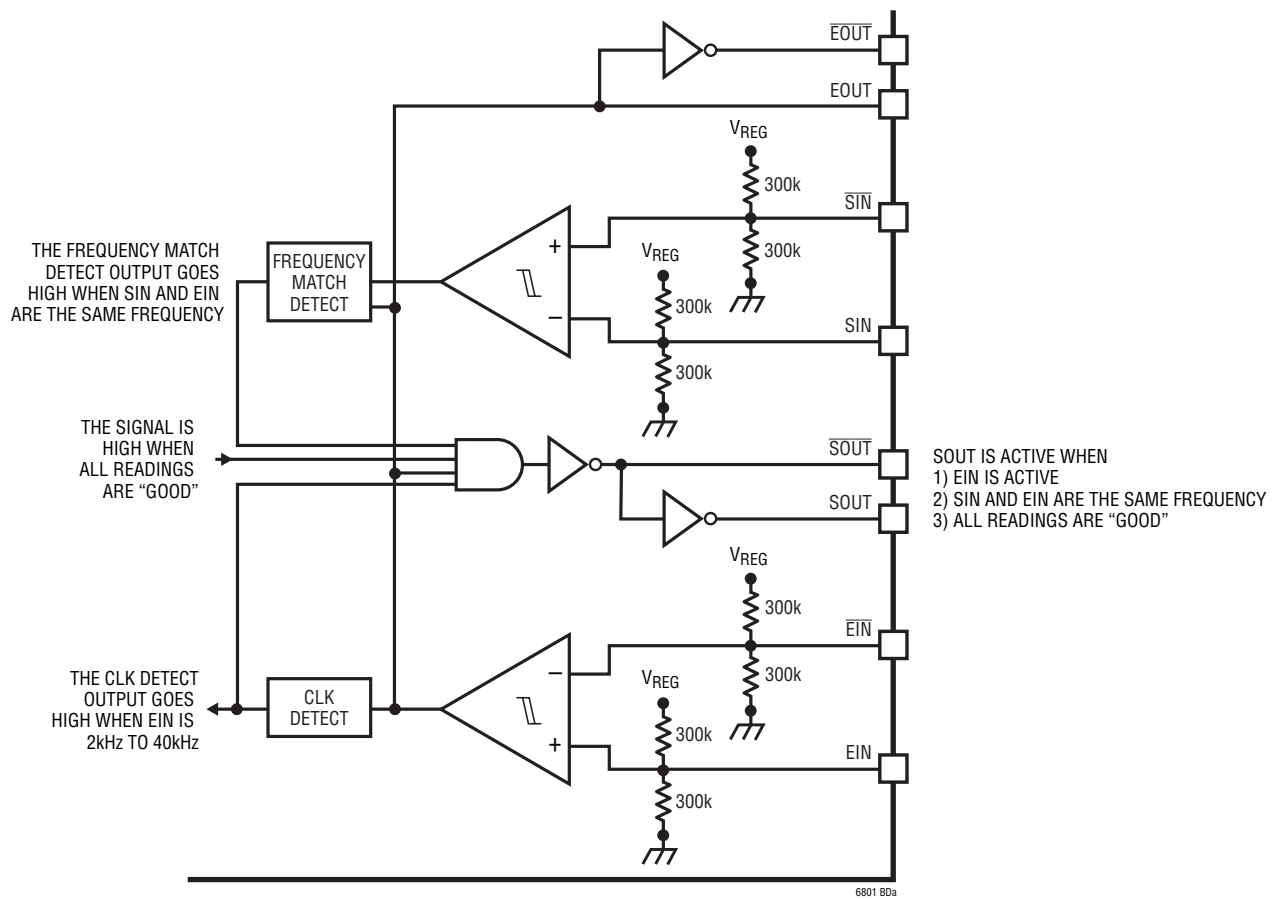
## BLOCK DIAGRAM

The LTC6801 measures between 4 and 12 cell voltages and 2 temperature inputs. If all measurements are within an acceptable window, the LTC6801 will produce

a differential clock output signal (SOUT,  $\overline{\text{SOUT}}$ ). If any of the channels exceed user set upper and lower thresholds, a logic low signal is produced at SOUT.



# BLOCK DIAGRAM OF ENABLE IN/OUT AND STATUS IN/OUT



## APPLICATIONS INFORMATION

### OVERVIEW

The LTC6801 is designed as an easy to implement, low-cost battery stack monitor that provides a simple indication of correct battery stack operation without requiring a microcontroller interface. For battery stack monitoring with cell voltage read back and discharge circuitry, refer to the LTC6802 battery stack monitor data sheet.

The LTC6801 contains a 12-bit ADC, a precision voltage reference, sampled comparator, high voltage multiplexer and timer/sequencer. During normal operation, the sequencer multiplexes the ADC inputs between each of the channel input pins in turn, performing a single comparison to the undervoltage and overvoltage thresholds. The  $V_{TEMP}$  inputs are also monitored for an undervoltage at a fixed threshold of  $V_{REF}/2$ .

The presence of a status output clock indicates the system is “OK”. Because the status output is dynamic, it cannot get stuck in the “OK” state.

### STACKED OPERATION

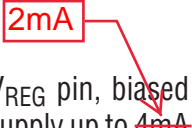
Each LTC6801 monitors a group of up to 12 series connected cells. Groups of cells can be connected in series or parallel to form a large battery pack. The LTC6801s can be daisy chained with simple capacitive or transformer coupling. This allows every cell in a large battery pack to be monitored with a single signal. Figure 2 illustrates monitoring of 36 series connected cells.

To cancel systematic duty cycle distortion through the clock buffers, it is recommended that the clock lines are cross-coupled (EOUT goes to  $\bar{E}IN$  etc.) as they route up and down the stack as shown in Figure 2.

### INDEPENDENT OPERATION

Figure 3 shows how three groups of 12 cells can be monitored independently.

### REGULATED OUTPUTS

A regulated voltage is provided at the  $V_{REG}$  pin, biased from the battery stack. The  $V_{REG}$  pin can supply up to ~~4mA~~  at 5V and may be used to power small external circuits. The regulated output remains at 5V continually, as long as the total stack voltage is between 10V and 50V.

A low current, precision reference voltage is provided at the  $V_{REF}$  pin, which can drive loads of greater than 100k. The  $V_{REF}$  output is high impedance when the LTC6801 is idle.

Both the  $V_{REG}$  and  $V_{REF}$  pins must be bypassed to  $V^-$  with a 1  $\mu$ F capacitor.

### CONTROL INPUTS

The LTC6801 thresholds are controlled by the UV1, UV0, OV1 and OV0 pins. These pins are designed to be tied directly to  $V_{REG}$ ,  $V_{REF}$  or  $V^-$  in order to set the comparison thresholds for all channels simultaneously. The pins are not designed to be variable. In particular, changes made to the pins while the chip is not in idle mode may result in unpredictable behavior. See Table 1 and Table 2 for setting and threshold information.

## APPLICATIONS INFORMATION

### ENABLE INPUTS

In order to support stacked operation, the LTC6801 is enabled through a differential signal chain encompassing the  $\overline{\text{EIN}}/\overline{\text{EIN}}$ ,  $\overline{\text{EOUT}}/\overline{\text{EOUT}}$ , and  $\overline{\text{SIN}}/\overline{\text{SIN}}$  pins.

The LTC6801 will be enabled if a differential square wave with a frequency between 2kHz and 40kHz is applied at  $\overline{\text{EIN}}/\overline{\text{EIN}}$ . Otherwise, the LTC6801 will default to a low power idle mode.

If the differential signal at  $\overline{\text{SIN}}/\overline{\text{SIN}}$  is not equal in frequency to the differential signal output at  $\overline{\text{EOUT}}/\overline{\text{EOUT}}$ , the LTC6801 will be enabled but  $\overline{\text{SOUT}}$  will be held at 0V and  $\overline{\text{SOUT}}$  will be held at  $V_{\text{REG}}$ .

For the simplest operation in a single chip configuration,  $\overline{\text{EOUT}}$  should be connected directly to  $\overline{\text{SIN}}$  and  $\overline{\text{EOUT}}$  should be connected directly to  $\overline{\text{SIN}}$ , and a square wave with a frequency between 2kHz and 40kHz should be applied differentially to  $\overline{\text{EIN}}$  and  $\overline{\text{EIN}}$ . For enable clock frequencies up to 10kHz, a single-ended square wave with a 5V swing may be used at  $\overline{\text{EIN}}$  while a 1nF capacitor is connected from  $\overline{\text{EIN}}$  to  $V^-$ .

### STATUS OUTPUT

If the chip is properly enabled ( $\overline{\text{EIN}}/\overline{\text{EIN}}$ ,  $\overline{\text{SIN}}/\overline{\text{SIN}}$  are the same frequency), all cells are within the undervoltage and overvoltage thresholds, and the voltage at  $V_{\text{TEMP1}}$  and  $V_{\text{TEMP2}}$  is over one half  $V_{\text{REF}}$ , the differential output at  $\overline{\text{SOUT}}/\overline{\text{SOUT}}$  will toggle at the same frequency and in phase with the signal at  $\overline{\text{EIN}}/\overline{\text{EIN}}$ . Otherwise,  $\overline{\text{SOUT}}$  will be low and  $\overline{\text{SOUT}}$  will be high.

The maximum delay between when a bad cell voltage occurs and when it is detected depends on the measurement duty cycle setting. The  $\overline{\text{SOUT}}$  clock turns on or off at the end of each measurement cycle. Figure 4 shows the maximum detection delay in continuous monitor mode (DC pin tied to  $V_{\text{REG}}$ ).

Note: If an internal self test occurs immediately after the fault, the maximum detection delay will be increased by an additional measurement cycle time.

### FAULT PROTECTION

#### Overview

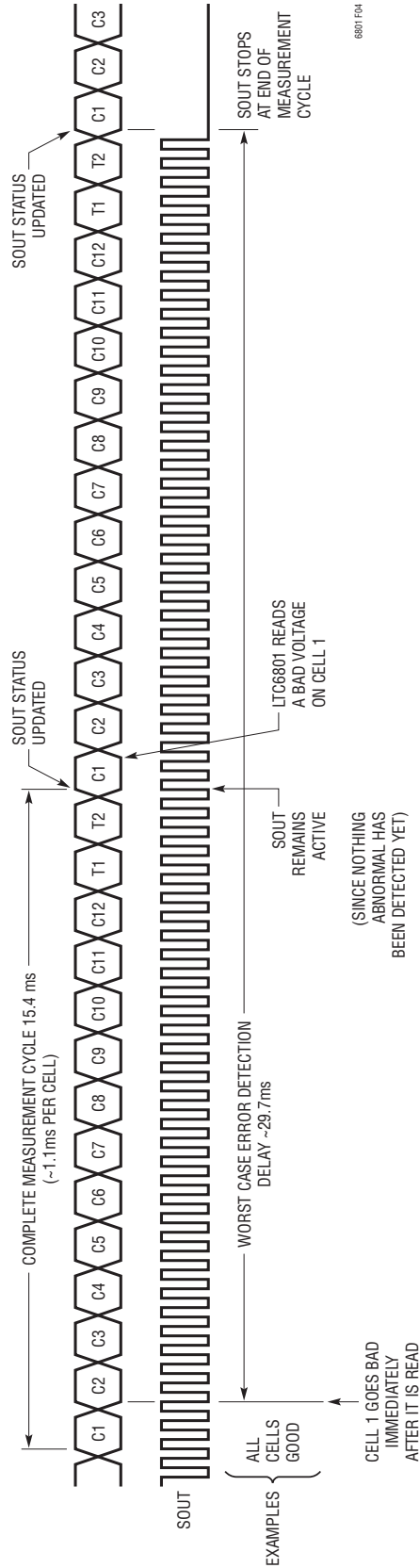
Care should always be taken when using high energy sources such as batteries. There are countless ways that systems can be [mis-]configured during the assembly and service procedures that can impact a battery's long term performance. Table 6 shows various situations to consider when planning protection circuitry.

#### Battery Interconnection Integrity

Please note: The last condition shown in the FMEA table could cause catastrophic IC failures. In this case, the battery string integrity is lost within a cell group monitored by an LTC6801. This condition could place excessive stress on certain cell input signal clamp-diodes and probably lead to IC failure. If this scenario seems at all likely in a particular application, series fuses and parallel Schottky diodes should be connected as shown in Figure 5 to limit



# APPLICATIONS INFORMATION



**Figure 4. Cell UV/OV Detection Delay in Continuous Monitor Mode**

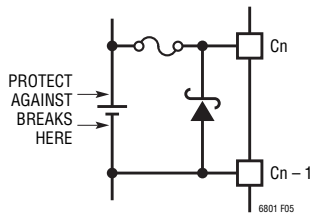


## APPLICATIONS INFORMATION

**Table 6. Failure Mechanism Effect Analysis (FMEA)**

SCENARIO	EFFECT	DESIGN MITIGATION
Cell input open-circuit (random)	Power-up sequence at IC inputs	Clamp diodes at each pin to $V^+$ & $V^-$ (within IC) provide alternate PowerPath.
Cell input open-circuit (random)	Differential input voltage overstress	Zener diodes across each cell voltage input pair (within IC) limit stress.
Top cell input connection loss ( $V^+$ )	Power will come from highest connected cell input	Clamp diodes at each pin to $V^+$ and $V^-$ (within IC) provide alternate PowerPath. Error condition will be indicated by all upstream and downstream units (no clock on SOUT/ $\overline{\text{SOUT}}$ ).
Bottom cell input connection loss ( $V^-$ )	Power will come from lowest connected cell input	Clamp diodes at each pin to $V^+$ and $V^-$ (within IC) provide alternate PowerPath. Error condition will be indicated by all upstream and downstream units (no clock on SOUT/ $\overline{\text{SOUT}}$ ).
Power input disconnection (amongst stacked units)	Loss of supply connections	Clamp diodes at each pin to $V^+$ and $V^-$ (within IC) provide alternate PowerPath. Error condition will be indicated by all upstream and downstream units (no clock on SOUT/ $\overline{\text{SOUT}}$ ).
Status link disconnection (between stacked units)	Break of “daisy chain” communication (no stress to ICs)	Daisy chain will be broken and error condition will be indicated by all upstream and downstream units (no clock on SOUT/ $\overline{\text{SOUT}}$ ).
Short between any two configuration inputs	Power supplies connected to pins will be shorted	If $V_{\text{REF}}$ or $V_{\text{REG}}$ is shorted to $V^-$ , supply will be removed from internal circuitry and error condition will be indicated by all upstream and downstream units (no clock on SOUT/ $\overline{\text{SOUT}}$ ). If $V_{\text{REF}}$ is shorted to $V_{\text{REG}}$ , a self test error will be flagged.
Open connection on configuration input	Control input will be pulled towards positive or negative potential depending on pin	Control input will be pulled to a more stringent condition (larger number of channels, higher UV threshold, lower OV threshold, shorter duty cycle, etc. ensuring either more stringent monitoring or error condition will be indicated by all upstream and downstream units (no clock on SOUT/ $\overline{\text{SOUT}}$ ).
Cell-pack integrity, break between stacked units	Daisy-chain voltage reversal up to full stack potential	Full stack potential may appear across status/ enable isolation devices, but will not be seen by the IC. isolation capacitors should therefore be rated to withstand the full stack potential.
Cell-pack integrity, break within stacked unit	Cell input reverse overstress	Add battery tap fuses and Schottky diodes in parallel with the cell inputs to limit stress on IC. Diode and connections must handle current sufficient to open fuse

## APPLICATIONS INFORMATION



**Figure 5. Using Fuses and Diodes for Cell Input Protection (One Cell Connection Shown)**

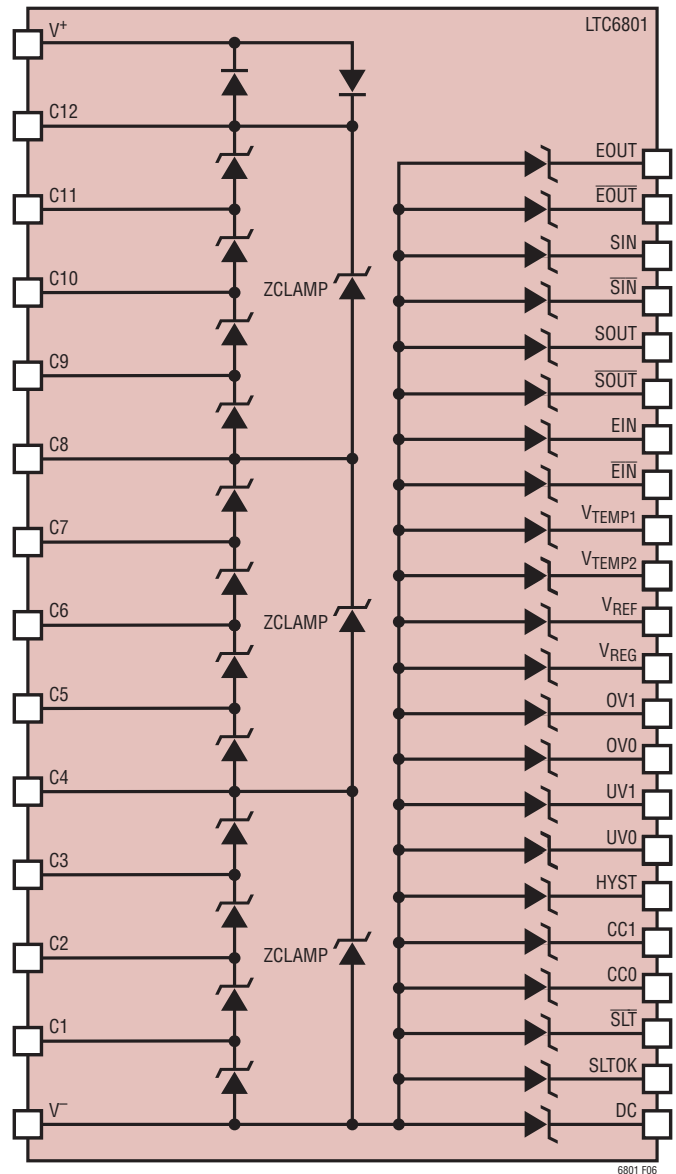
stress on the IC inputs. The diodes used in this situation need current ratings sufficient to open the protective fuse in the battery tap signal.

### Internal Protection Structure

The LTC6801 incorporates a number of protective structures, including parasitic diodes, Zener-like overvoltage suppressors, and other internal features that provide protection against ESD and certain overstress conditions that could arise in practice. Figure 6 shows a simplified internal schematic that indicates the significant protective structures and their connectivity. The various diodes indicate the approximate current versus voltage characteristics that are intrinsic to the part, which is useful in analyzing responses to certain external stresses, such as during a hot-start scenario.

### SELF TEST CIRCUITRY

The LTC6801 has internal circuitry that performs a periodic self test of all measurement functions. The LTC6801 self test circuitry is intended to prevent undetectable failure modes. Accuracy and functionality of the voltage reference and comparator are verified, as well as functionality of the high voltage multiplexer and ADC decimation



**Figure 6. Internal Protection Structures**

## APPLICATIONS INFORMATION

filter. Additionally, open connections on the cell input pins C1 to C11 are detected (Open connections on  $V^-$  or C12/ $V^+$  will cause an undervoltage failure during the normal measurement cycle).

### Self Test Pins

The  $\overline{SLT}$  pin is used to initiate a self test. It is configured as an open collector input/output. The pin should be normally tied to  $V_{REG}$  with a resistor greater than or equal to 100k or floated. The pin may be pulled low at any time to initiate a self test cycle.

The device will automatically initiate a self test if  $\overline{SLT}$  has not been externally activated for 1024 measurement cycles, and pull down the  $\overline{SLT}$  pin internally to indicate that it is in self test mode.

The SLTOK pin is a simple logic output. If the previous self test failed the output is held low, otherwise the output will be high. The SLTOK pin is high upon power-up. The SLTOK output can be connected to a microcontroller through an isolation path.

The LTC6801 status output will remain active while the SLTOK pin is low. The LTC6801 will continue to monitor cells if the self test fails. If the next self test passes, the SLTOK output returns high.

### Reference and Comparator Verification

A secondary internal bandgap voltage reference (REF2) is included in the LTC6801 to aid in verification of the reference and comparator. During the self test cycle, the comparator and main reference are used to measure the REF2 voltage.

To verify the comparator functionality, the upper and lower thresholds are first set in a close window around

the expected REF2 voltage and the comparator output is verified. Then the upper threshold is set below the REF2 voltage and the comparator output is verified again. Lastly, the lower threshold is set above the REF2 voltage and the comparator output is verified a third time.

The self test guarantees that  $V_{REF}$  is within 5% of the specified nominal value. Also, this test guarantees the analog portion of the ADC is working.

### High Voltage Multiplexer Verification

The most dangerous failure mode of the high voltage multiplexer would be a stuck bit condition in the address decoder. Such a fault would cause some channels to be measured repeatedly while other channels are skipped. A skipped channel could mean a bad cell reading is not detectable. Other multiplexer failures, like the simultaneous selection of multiple channels, or shorts in the signal path, would result in an undervoltage or overvoltage condition on at least one of the channels.

The LTC6801 incorporates circuitry to ensure that all requested channels are measured during each measurement cycle and none are skipped. If a channel is skipped, an error is flagged during the self test cycle.

### ADC Decimation Filter Verification

The ADC decimation filter test verifies that the digital circuits in the ADC are working, i.e. there are no stuck bits in the ADC output register. During each self test cycle, the LTC6801 feeds two test waveforms into the ADC. The internally generated waveforms were designed to generate complementary zebra patterns (alternating 0's and 1's) at the ADC output. If either of the waveforms

## APPLICATIONS INFORMATION

generates an incorrect output value, an error is flagged during the self test cycle.

### Open Cell Connection Detection

The open connection detection algorithm ensures that an open circuit is not misinterpreted as a valid cell reading.

In the absence of external noise filtering, the input resistance of the ADC will cause open wires to produce a near zero reading. This reading will cause an undervoltage failure during the normal measurement cycle.

Some applications may include external noise filtering to improve the quality of the voltage comparisons. When an RC network is used to filter noise, an open wire may not produce a zero reading because the comparator input resistance is too large to discharge the capacitors on the input pin. Charge may build up on the open pin during successive measurement cycles to the extent that it could indicate a valid cell voltage reading.

During each self test cycle, the LTC6801 will sink  $100\mu\text{A}$  to  $V^-$  from each side of the cell being measured. The undervoltage threshold is not checked during the self test because the  $100\mu\text{A}$  pull-down current would cause false failures in some cases. If an input is open, this current will discharge any filtering capacitors and cause the input to

float down to approximately  $0.7\text{V}$  below the next lower cell input. In most cases, the cell voltage of the cell above the open input will exceed the overvoltage threshold and flag a self test error. During the normal measurement cycle, the LTC6801 will sink  $1\mu\text{A}$  to  $V^-$  from each side of the cell being measured. If the cell voltages are low enough that an open wire is not detected as an overvoltage during self test, this current will cause the cell input to settle to a voltage low enough to trigger an undervoltage condition during the normal measurement cycle.

Note, an open cell connection may not be detected when the  $\text{UV} = 0.766\text{V}$  setting is used. For all other UV settings, an open cell connection will result in either a self test error or no SOUT clock.

### Using The LTC6801 with Other Battery Monitors

When used in combination with an LTC6802-1, it is possible to check the LTC6801 self test result via the LTC6802-1 and its isolated SPI. As shown in Figure 7, the SLTOK output is tied to the GPIO2 pin on the LTC6802-1. SLTOK will remain high as long as it is passing the self test. A self test will occur automatically every 1024 measurement cycles (17 seconds to 9 minutes, depending on measurement duty cycle). A self test can be initiated by a falling edge on  $\overline{\text{SLT}}$ , via the LTC6802-1 GPIO1 line. A self test will start after the current measurement cycle

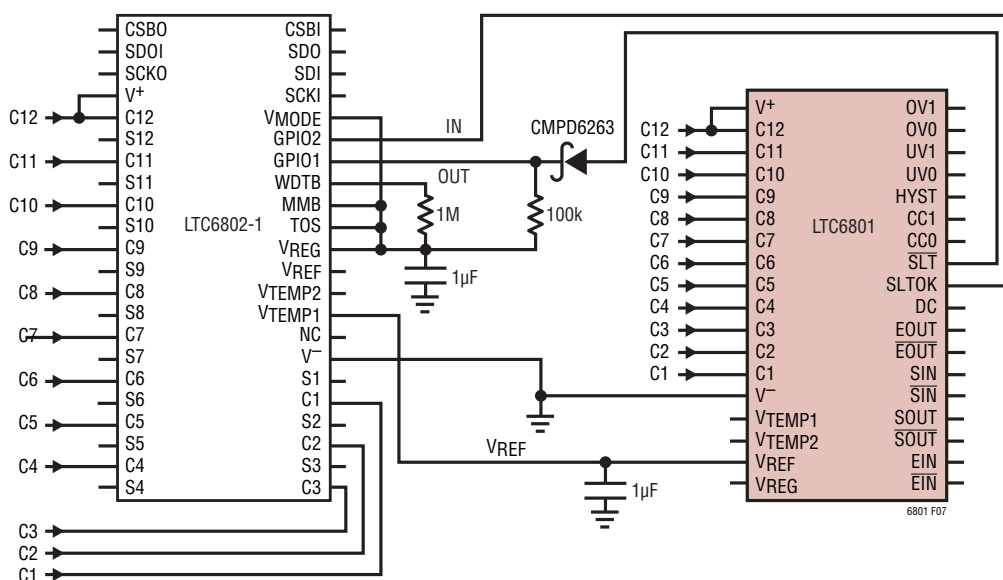


Figure 7. Interconnection of an LTC6802-1 and LTC6801 for Self Test.

## APPLICATIONS INFORMATION

is complete, and the SLTOK status will be valid when the self test completes. The worst case delay before SLTOK is valid in continuous monitor mode is approximately 15ms for the current cycle to complete plus 17ms for the self test to complete.

The 6802-1 can measure the LTC6801 reference, which will independently test the analog circuitry of the LTC6802.

### CELL-VOLTAGE FILTERING

The LTC6801 employs a sampling system to perform its analog-to-digital conversions and provides a conversion result that is essentially an average over the 0.5ms conversion window. If there is significant noise at frequencies near 500kHz there may be aliasing in the delta-sigma modulator. A lowpass filter with 30dB attenuation at 500kHz may be beneficial. Since the delta-sigma integration bandwidth is about 1kHz, the filter corner need not be lower than this to assure accurate conversions.

Series resistors of 1k may be inserted in the input paths without introducing measurement error. Shunt capacitors may be added from the cell inputs to  $V^-$ , creating RC filtering as shown in Figure 8. The combination of 1k and 10nF is recommended as a robust, cost effective noise filter.

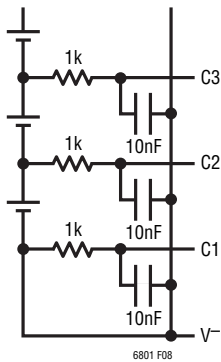


Figure 8. Adding RC Filtering to the Cell inputs

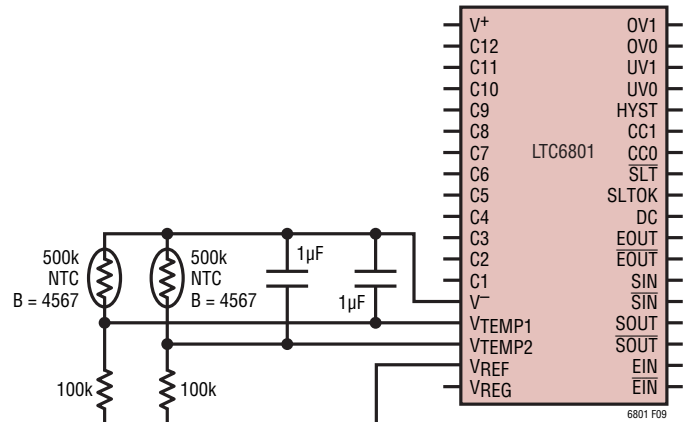


Figure 9. Driving Thermistors Directly from  $V_{REF}$ . Two Independent Probes With a +60°C Trip Point

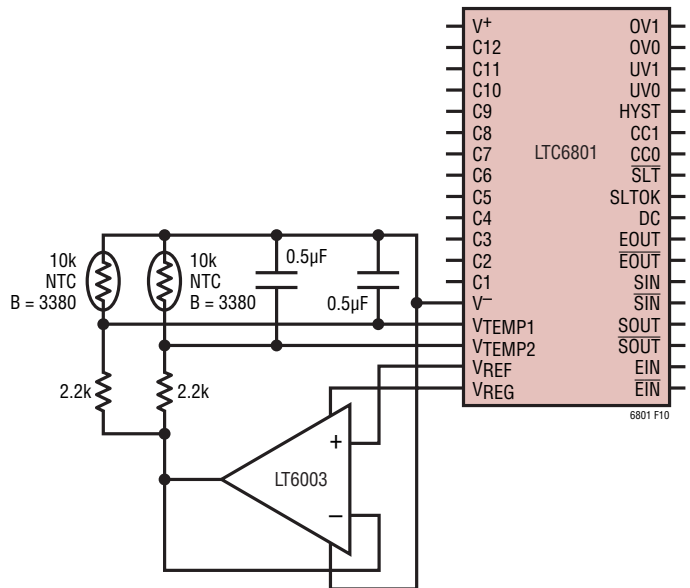


Figure 10. Buffering  $V_{REF}$  for Higher-Current Sensors. Two Independent Probes With a +70°C Trip Point

## APPLICATIONS INFORMATION

### MEASURING VARIOUS CELL COUNTS

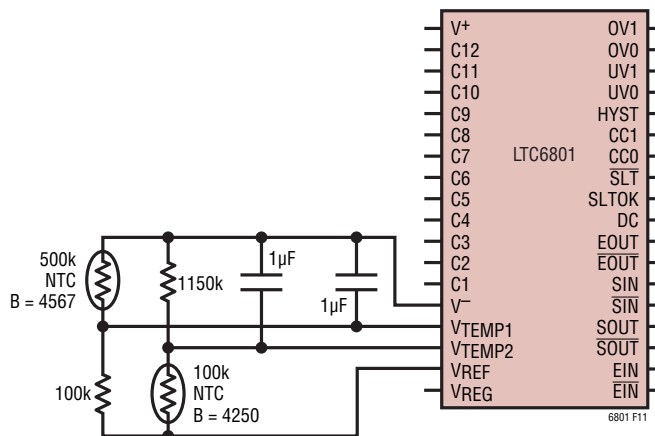
The LTC6801 is designed to measure up to 12 cells depending on the state of the CC pins (See Table 5). When using an LTC6801 configured for measuring less than 12 cells, for instance choosing to measure 8 cells by tying both CC1 and CC0 to the  $V_{REF}$  pin, the highest cell potential (in this case C8) must be connected to the  $V^+$  pin for proper operation. Unused cell connection pins (in this case C9 to C12) may be left floating or may also be tied to the highest cell potential.

### READING EXTERNAL TEMPERATURE PROBES

The LTC6801 includes two channels of ADC input,  $V_{TEMP1}$  and  $V_{TEMP2}$ , that are intended to monitor thermistors (tempco about  $-4\%/^{\circ}\text{C}$  generally) or diodes ( $-2.2\text{mV}/^{\circ}\text{C}$  typical) located within the cell array. Sensors can be powered directly from  $V_{REF}$  as shown in Figure 9 (up to  $30\mu\text{A}$  typical).

The temperature measurement inputs ( $V_{TEMP1}$ ,  $V_{TEMP2}$ ) of the LTC6801 are comparator input channels with a voltage threshold of one-half  $V_{REF}$ . Input voltages above half  $V_{REF}$  are considered good. Voltages below the one-half  $V_{REF}$  threshold are considered a fault condition. The inputs may be used in combination with resistors, thermistors, or diodes to sense both an upper and lower temperature limit. Figure 9, Figure 10 and Figure 11 illustrate some possibilities. To ignore these inputs simply connect  $V_{TEMP1}$  and  $V_{TEMP2}$  to  $V_{REF}$ . A filtering capacitor to  $V^-$  is recommended to minimize the error caused by the approximately  $700\text{k}$  input impedance of the ADC.

For sensors that require higher drive currents, a buffer amplifier may be used as shown in Figure 10. Power for the sensor is actually sourced indirectly from the  $V_{REG}$  pin in this case. Probe loads up to about  $1\text{mA}$  maximum are



**Figure 11. Sensing Both Upper and Lower Temperature Thresholds. This Example Monitors a  $-20^{\circ}\text{C}$  to  $+60^{\circ}\text{C}$  Window Detector. The Thermistors Should Be in Close Proximity**

supported in this configuration. Since  $V_{REF}$  is shut down while the LTC6801 is idle between measurement cycles, the thermistor drive is also shut off and thus power dissipation is minimized. Since  $V_{REG}$  remains always-on, the buffer op amp (LT6003 shown) is selected for its ultralow current consumption ( $10\mu\text{A}$ ).

For circuits that include filtering capacitance, note that only the fastest DC setting ( $V_{REG}$  connection) will keep  $V_{REF}$  steady and allow the  $V_{TEMP}$  voltages to settle. To use the lower power DC settings,  $V_{REF}$  must be buffered (see Figure 10), so that a low impedance is presented to the ADC, with a time constant of no more than about  $1\text{ms}$ .

### ADVANTAGES OF DELTA-SIGMA ADCs

The LTC6801 employs a delta-sigma analog to digital converter for voltage measurement. The architecture of delta-sigma converters can vary considerably, but the common characteristic is that the input is sampled many times over the course of a conversion and then filtered or averaged to produce the digital output code.



## APPLICATIONS INFORMATION

For a given sample rate, a delta-sigma converter can achieve excellent noise rejection while settling completely in a single conversion. This is particularly important for noisy automotive systems. Other advantages of delta-sigma converters are that they are inherently monotonic, meaning they have no missing codes, and they have excellent DC specifications.

The LTC6801's ADC has a second order delta-sigma modulator followed by a SINC2, finite impulse response (FIR) digital filter, with a lowpass bandwidth of 1kHz. The front-end sample rate is 512ksps, which greatly reduces input filtering requirements. A simple 16kHz, 1 pole filter composed of a 1k resistor and a 10nF capacitor at each input will provide adequate filtering for most applications. These component values will not degrade the DC accuracy of the ADC.

Each conversion consists of two phases – an autozero phase and a measurement phase. The ADC is autozeroed at each conversion, greatly improving CMRR.

### USING TRANSFORMERS FOR GALVANIC ISOLATION

As shown in Figure 12, small gate-drive signal transformers can be used to interconnect devices and transport the enable and sense signals safely across an isolation barrier. Driving a transformer with a squarewave requires transient currents of several mA and frequency of operation at 20kHz or higher. Since the output pins of the LTC6801 are current limited at <1mA, a small external gate pair (NC7WZ17 dual buffer) is used to provide the needed drive current. 330Ω resistors are placed in series with each buffer output to optimize current flow into the transformer primary and a coupling capacitor provides prevention of current flow in static conditions. The secondary side is wired in a center-tapped configuration to terminate the common mode voltage and thus suppress noise pickup. The differential signal is terminated into 1500Ω to optimize the peak signal swing for the IC input (to about  $\pm 4V_{P-P}$ ). Internal biasing features of the IC inputs maintain an optimal DC common mode level at the transformer secondary.

### INTERCOMMUNICATION USING DATA ISOLATORS

As shown in Figure 13, an inexpensive and compact 2-channel data isolator is used to communicate the enable and the sense clocking signals between devices. The wiring carries isolator power and return plus two single-ended logic signals that are completely isolated at the upper device interface, so the signals are effectively differential from a common mode ingress perspective. The isolator provides excellent rejection of noise between battery groups, but consumes a few mA when operating, so a conventional opto-coupler and a few discretes provide a power-down scheme for periods where no monitoring is needed. Since the required current would load down  $V_{REG}$  if used directly, the NPN transistor is used to form a quasi-regulated 4.3V supply drawing from the full battery group potential, also moving significant thermal loading outside the IC. The PMOS FET is a low resistance switch controlled by the opto-coupler output. Since the opto-coupler is used to switch only a small current, the LED need only be driven with  $\sim 500\mu A$ . Powering down the bottom-of-stack isolator on the host  $\mu P$  side automatically powers down the entire isolator chain.

### DEMO BOARD CIRCUIT

An LTC6801 demonstration circuit is shown in Figure 15. The circuit includes a 10kHz oscillator (U2) for the enable excitation and an LED (D15, driven by Q1) to indicate the state of the status outputs, plus an assortment of important protection components to ensure robust operation and hot-plugging of cell connections.

Series resistors (R14 to R21) provide a controlled coupling capacitor (C14 to C17) current in the inter-IC connections during startup or other abrupt potential changes, and associated clamp diodes (D13 and D14 quad array devices) redirect charge/surge current around the IC.

Input filters to each cell (R1, C1 to R12, C12) also use 6.2V Zener diodes (D1 to D12) to prevent overstress to the internal ESD clamps.

The  $V^+$  input filter (R13, C13) has the same time constant as the ADC input filters so that the  $V^+$  and C12 pins tend to track during start-up or transients, minimizing stress and ADC error.





APPLICATIONS INFORMATION

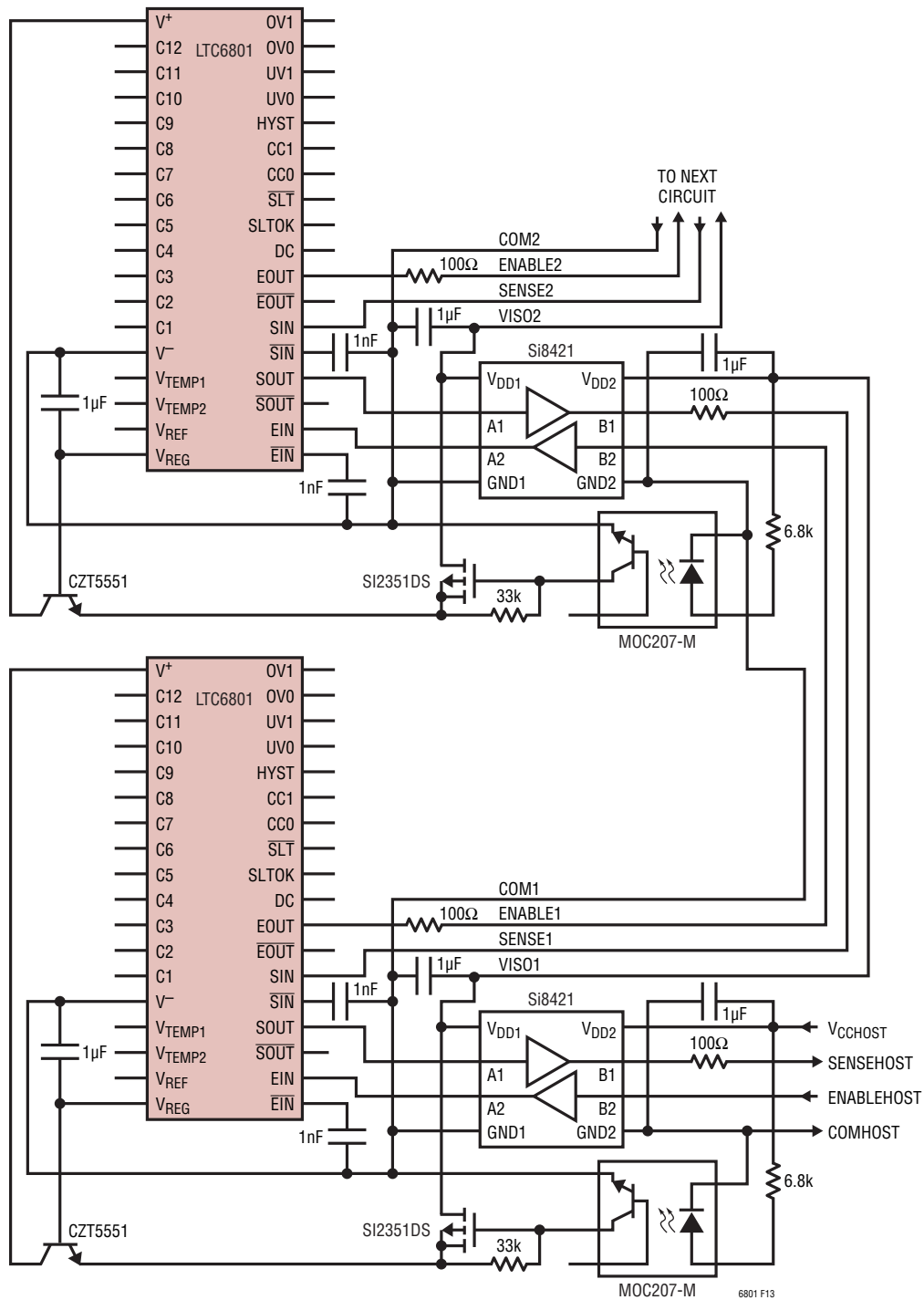


Figure 13. IC to IC Communication Using Data Isolators

# APPLICATIONS INFORMATION

NOTE: IF THE DC PIN IS TIED TO V<sub>REF</sub> OR V<sub>-</sub>, V<sub>TEMP1</sub> AND V<sub>TEMP2</sub> WILL HAVE ADDITIONAL MEASUREMENT ERROR DUE TO INSUFFICIENT SETTLING (SEE READING EXTERNAL TEMPERATURE PROBES)

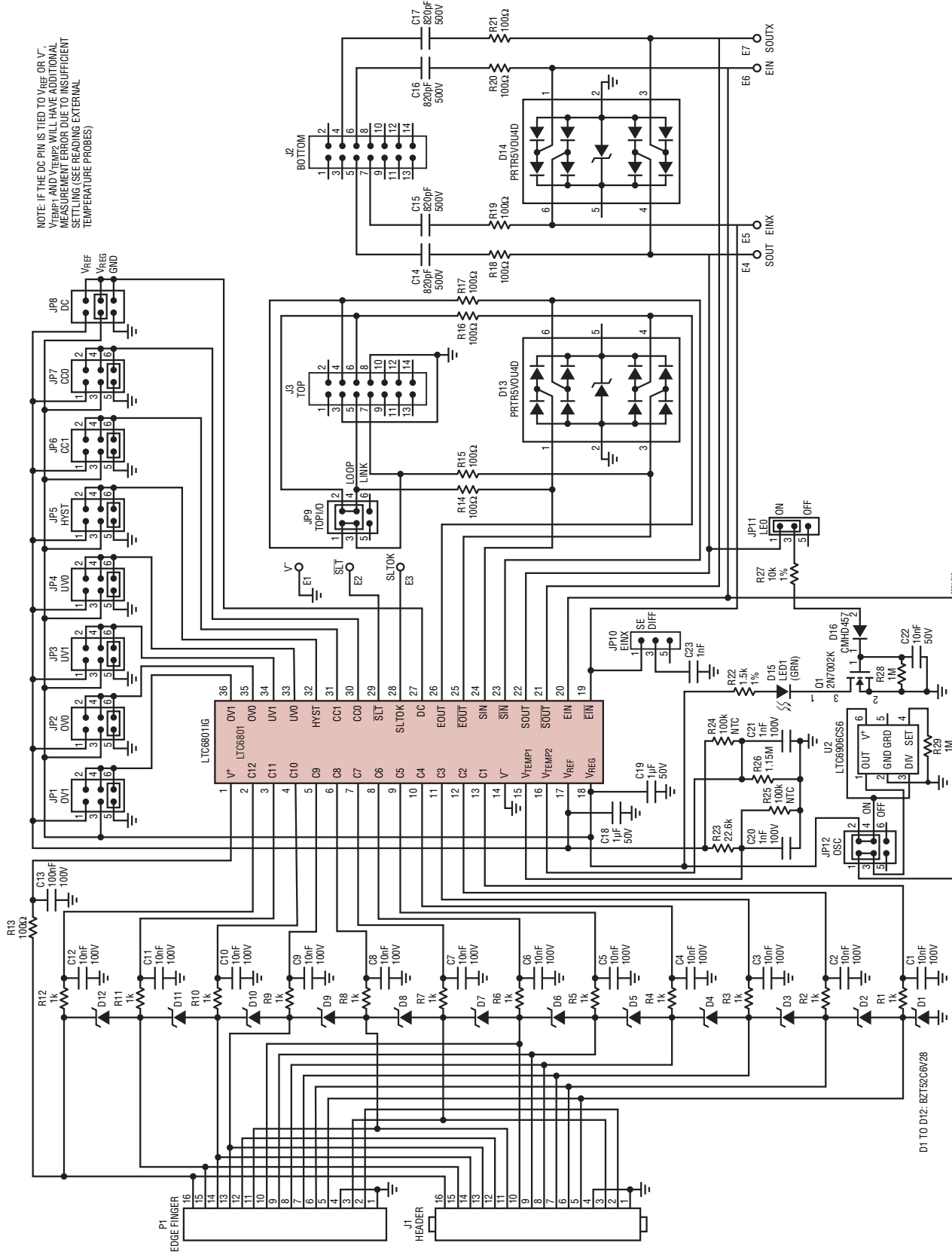
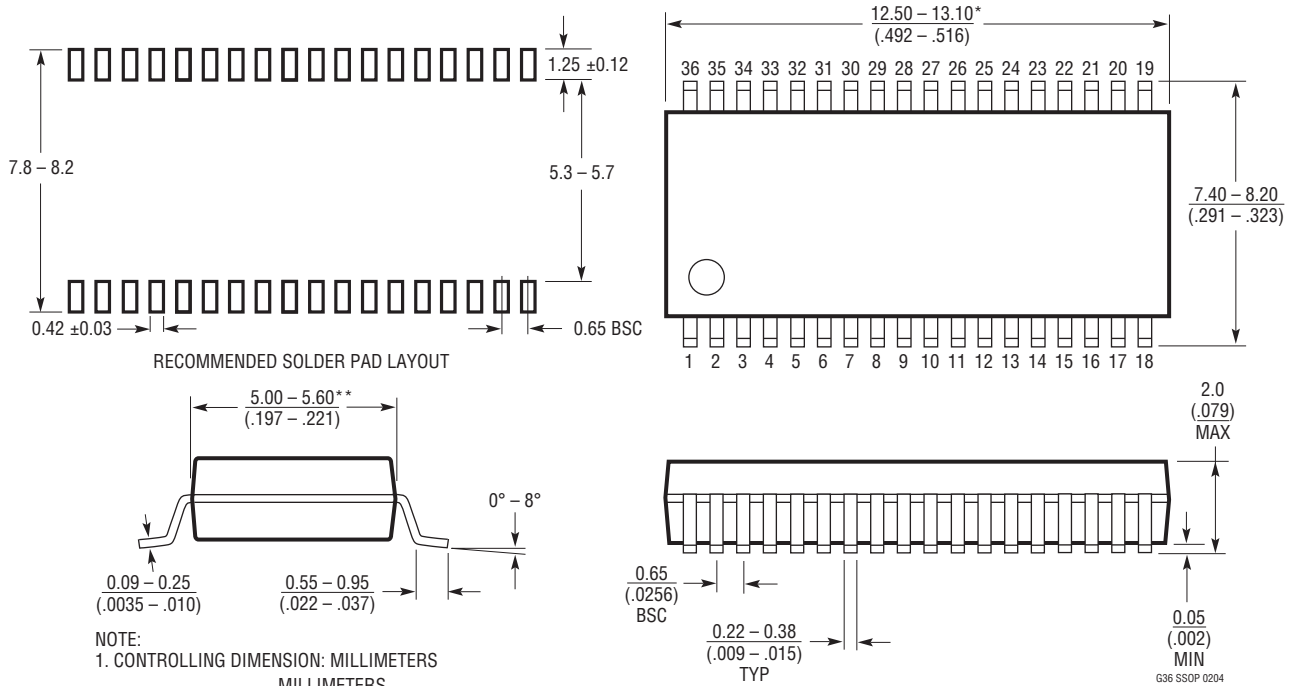


Figure 14. Schematic of LTC6801 Demo Circuit

**PACKAGE DESCRIPTION**

**G Package**  
**36-Lead Plastic SSOP (5.3mm)**  
 (Reference LTC DWG # 05-08-1640)



- NOTE:
1. CONTROLLING DIMENSION: MILLIMETERS
  2. DIMENSIONS ARE IN  $\frac{\text{MILLIMETERS}}{\text{(INCHES)}}$
  3. DRAWING NOT TO SCALE
- \*DIMENSIONS DO NOT INCLUDE MOLD FLASH. MOLD FLASH SHALL NOT EXCEED .152mm (.006") PER SIDE
- \*\*DIMENSIONS DO NOT INCLUDE INTERLEAD FLASH. INTERLEAD FLASH SHALL NOT EXCEED .254mm (.010") PER SIDE

G36 SSOP 0204

## REVISION HISTORY

REV	DATE	DESCRIPTION	PAGE NUMBER
A	5/10	H-grade part added. Reflected throughout the data sheet	1 to 28
B	7/10	Updated $V_{REG}$ Conditions Updated Table 3	3 9
C	8/15	Web links added Typo correction in Overview section	ALL 12
D	09/18	Updated order information to include automotive versions Note added to explain status output timing following internal self test operation	2 13

## TYPICAL APPLICATION

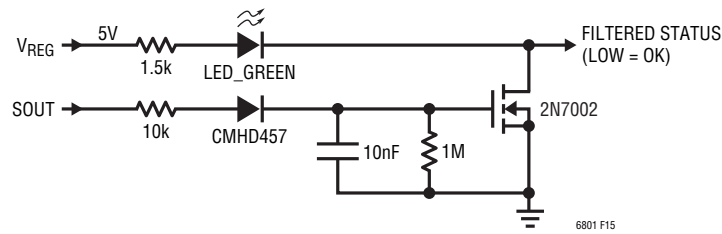


Figure 15. Alarm Qualification Filter/Status Indicator

## RELATED PARTS

PART NUMBER	DESCRIPTION	COMMENTS
<a href="#">LTC6802-1</a>	Multi-Cell Battery Stack Monitor with a Stackable Serial Interface	Complete Battery Monitoring IC with 0.25% Cell Measurement Accuracy. Level-Shifting Serial Interface Allows Multiple LTC6802-1 Devices to be Daisy-Chained without Opto-Couplers or Isolators
<a href="#">LTC6802-2</a>	Multi-Cell Battery Stack Monitor with an Individually Addressable Serial Interface	Functionally Equivalent to LTC6802-1: Parallel Connection Between Microcontroller and Multiple LTC6802-2 Devices