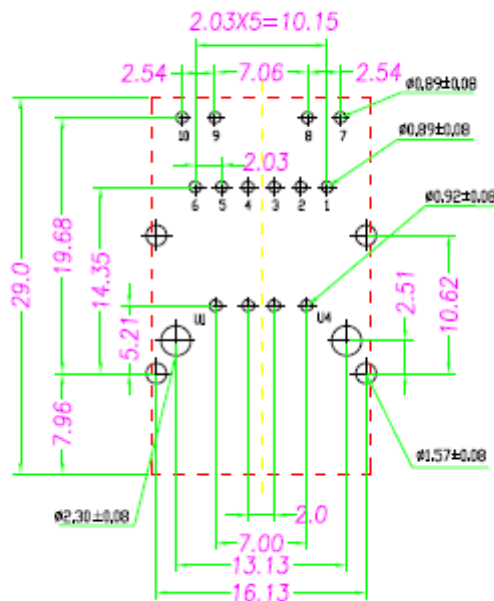
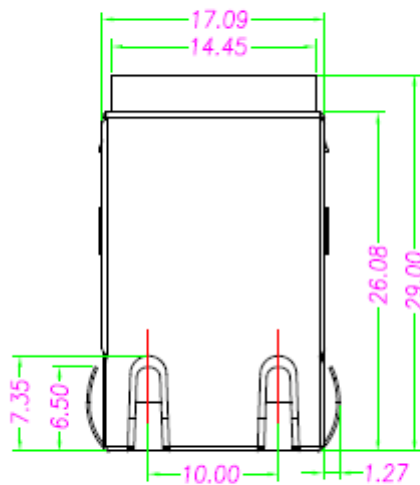
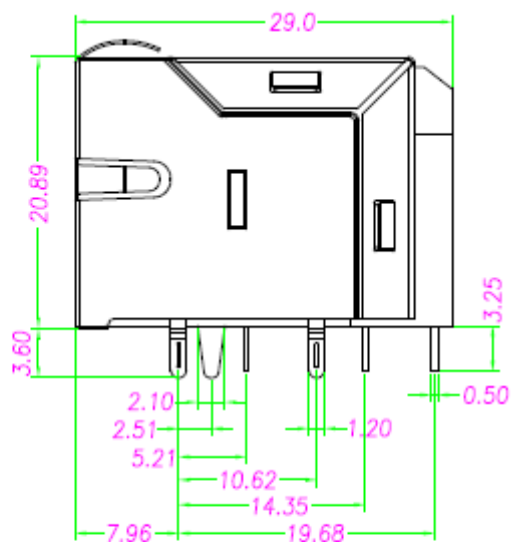
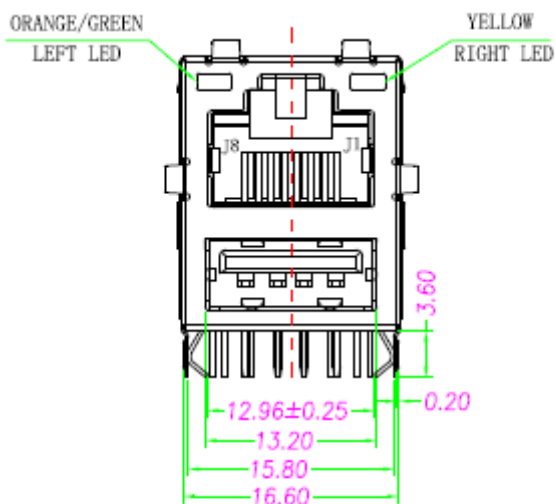


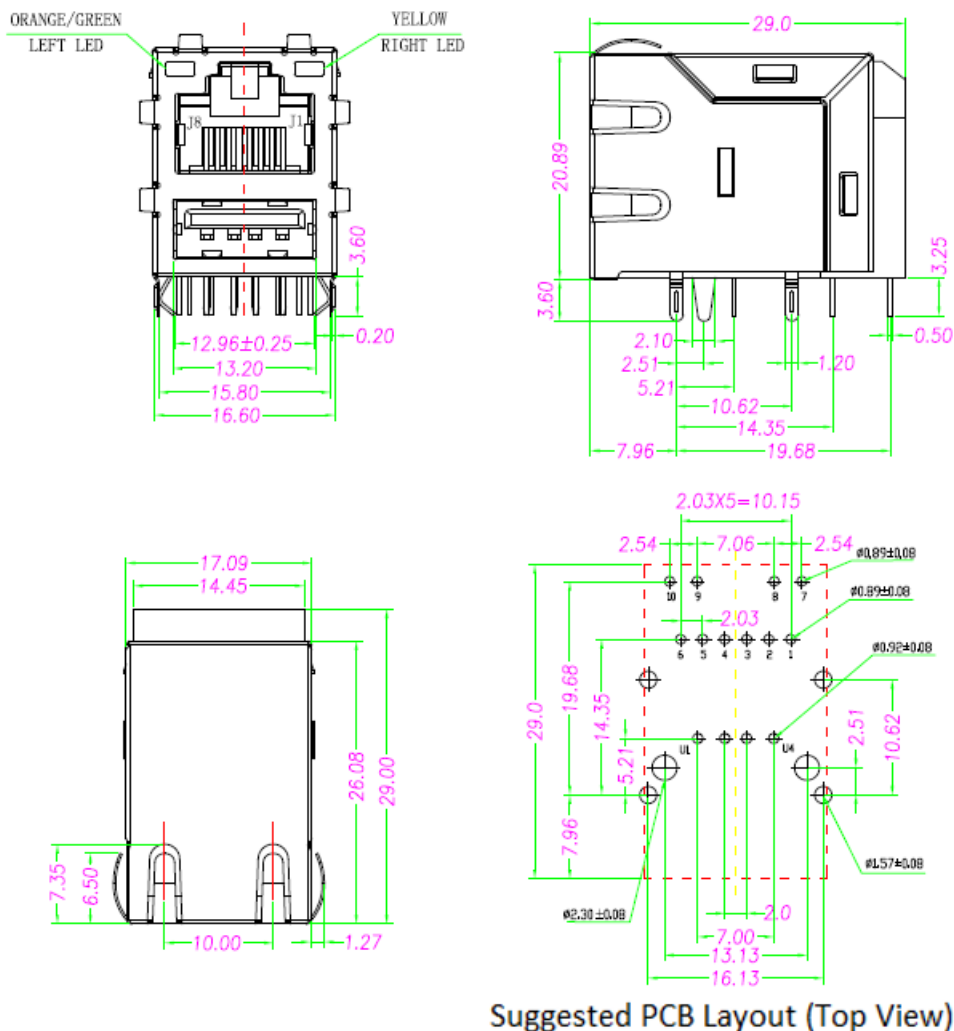
ECN/PCN No.: M1293

For Manufacturer			
Product Description: RJ45 10/100 Base-T / 1 X USB Combo, w/ LEDs, Ext Temp	Abracon Part Number / Part Series: ARJ-169	<input type="checkbox"/> Documentation only <input checked="" type="checkbox"/> ECN <input type="checkbox"/> EOL	<input type="checkbox"/> Series <input checked="" type="checkbox"/> Part Number(s)
Affected Revision: C	New Revision: D	Application:	<input type="checkbox"/> Safety <input checked="" type="checkbox"/> Non-Safety

Prior to Change:



Suggested PCB Layout (Top View)

After Change:

Cause/Reason for Change:

Production line has changed the design of the shield to include 2 EMI fingers on each side.

Change Plan
Effective Date:

8/3/2021

Additional Remarks:
Change Declaration:

This change should pose no problem for existing designs. The additional EMI finger does not affect the overall outline of the part or the panel cutout dimensions.

Issued Date:

8/3/2021

Issued By:
Gerald Capwell
Issued Department:

Engineering

Approval:
Syed Raza
Engineering VP

Approval:
Reuben Quintanilla
Quality Director

Approval:
Ying Huang
Purchasing Director

For Abracon EOL only
Last Time Buy (if applicable):
Alternate Part Number / Part Series:
Additional Approval:
Additional Approval:
Additional Approval:

Customer Approval (If Applicable)		
Qualification Status: <input type="checkbox"/> Approved <input type="checkbox"/> Not accepted <i>Note: It is considered approved if there is no feedback from the customer 1 month after ECN/PCN is released.</i>		
Customer Part Number:		Customer Project:
Company Name:	Company Representative:	Representative Signature:
Customer Remarks:		