

September, 2006

Attn.: _____

HIROSE ELECTRIC CO., LTD.

5-23, OSAKI 5-CHOME, SHINAGAWA-KU, TOKYO, JAPAN

Notice of a Change of the Form of the RP13A Jack Insulator

Hirose Electric will modify the insulator of the RP13A jack.

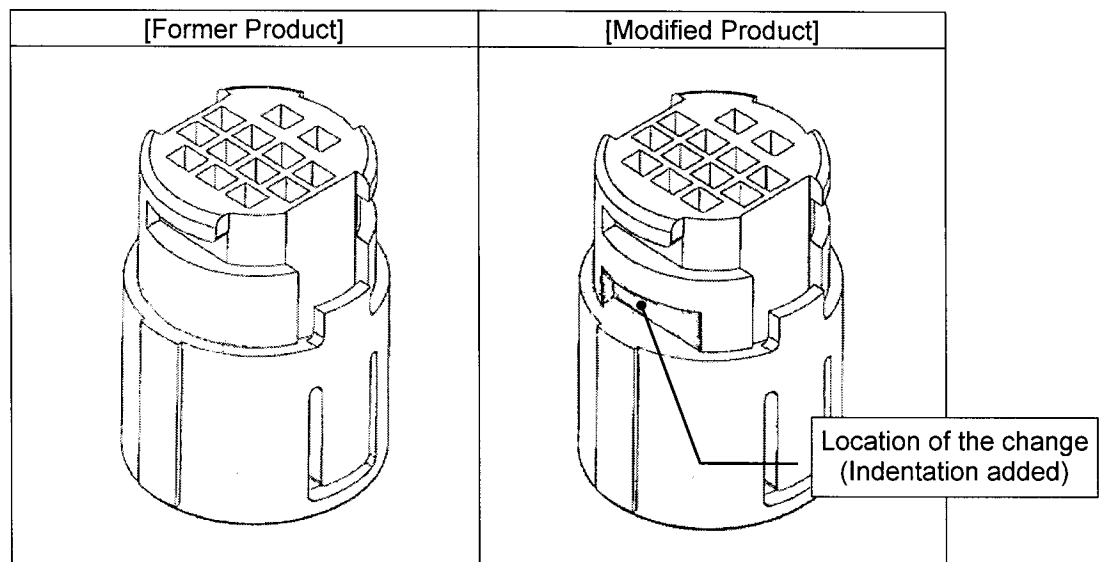
Thank you in advance for your cooperation.

1. Affected Products

Part Number	CL Code	Part Number	CL Code
RP13A-12J -13PC	113-0166-8 00	RP13A-12J -13PC(71)	113-0166-8 71
RP13A-12JD-13PC	113-0205-8 00	RP13A-12JD-13PC(71)	113-0205-8 71
RP13A-12JM-13PC	113-1030-1 00	RP13A-12JM-13PC(71)	113-1030-1 71
RP13A-12JK-13PC	113-1043-3 00	RP13A-12JK-13PC(71)	113-1043-3 71

2. Details of the Change

The housing will be modified as shown.



3. Reason for the Change

This change has been made to improve the quality of the molding.

Together with the updating of the production facilities, the molding dimensions have been changed to provide a more stable form.

4. Differences Accompanying the Change

There are no mechanical or electrical performance differences with the connectors.

5. Schedule for the Change

The change will be phased in immediately.

Please note that during the changeover period (of approximately 3 months) there may be a partial mixing of new and old product lots.

If you would like clarification concerning any of the points, please contact your Hirose Electric account representative.

Acknowledgment

September, 2006

(Customer→Hirose Electric business representative)

**Notice of a Change of the Form of the
RP13A Jack Insulator**

We acknowledge the aforementioned matter.

●Customer's name: _____

●Acknowledgment stamp (or signature): _____

(Cut on this line)

Document Receipt

September, 2006

(Customer→Hirose Electric business representative)

**Notice of a Change of the Form of the
RP13A Jack Insulator**

We have received the aforementioned document.

●Customer's name: _____

●Received stamp (or signature): _____