



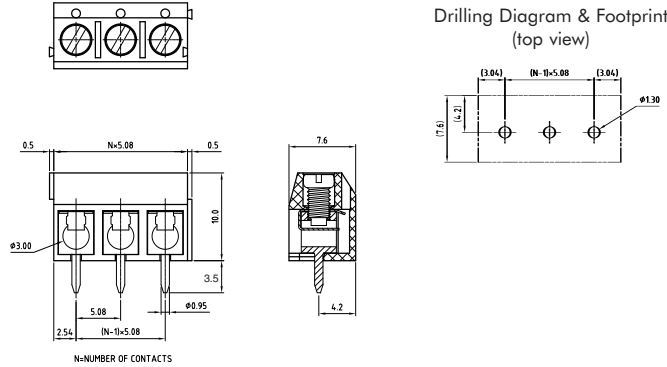
TAICOM

5.08mm PITCH
10.16mm PITCH

TBV8xxHG (5.08mm)
TBV8xxMG (10.16mm)

Vertical Mounting
Low Profile

Dimensions (mm)



Drilling Diagram & Footprint (top view)

WIRE GUARD Low profile, terminal blocks with stainless steel wire guards. Choice of 5.08mm pitch or wider spaced 10.16mm pitch.

KEY FEATURES/BENEFITS

- ◆ 15A rating
- ◆ Holes provided for test probes
- ◆ Double dovetail interlocking
- ◆ Combi screws as standard
- ◆ UL94V-0 flame retardant bodies
- ◆ Spring action wire guard permit wire re-insertion
- ◆ 10.16mm pitch offers improved isolation

Options Available

Marked Blocks -

A variety of markings and logos can be added to your requirements.

Screws -

Conventional slotted screws can be fitted in place of combi screws.

Body Colours -

Other colours such as green and grey are available.

Longer Blocks -

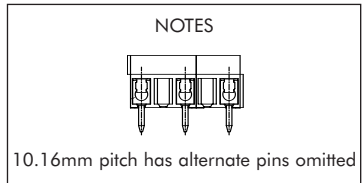
Up to 24 ways can be supplied in 5.08mm pitch and up to 12 ways in 10.16mm pitch.

N.B. These options may be subject to minimum order quantities. Please contact our Sales Desk for further details.

Ordering Information

Poles/ Ways	TAICOM Part No.	
	5.08mm	10.16mm
2	TBV802HG	TBV802MG
3	TBV803HG	TBV803MG
4	TBV804HG	TBV804MG
5	TBV805HG	TBV805MG
6	TBV806HG	TBV806MG
7	TBV807HG	TBV807MG
8	TBV808HG	TBV808MG
9	TBV809HG	TBV809MG
10	TBV810HG	TBV810MG
11	TBV811HG	TBV811MG
12	TBV812HG	TBV812MG

N.B. Part numbers shown are for combi screws.
For slotted screws add -1 to the end of the part number.



Specification

Materials

Body mouldings	Black (RAL9011) Polyamide
Terminal inserts/pins	Brass, tin plated
Screws	Steel, zinc plated
Wire guards	Stainless Steel

Ratings (limited by pcb)	UL Pending
Current rating	15A
Voltage rating	300Vac
Test voltage	1.6kVac
Insulation resistance	20MΩ max
Operating temperature range	-30°C to +105°C
Soldering temperature	250°C ±10°C/5 sec

Mechanical Data

Wire size	14-22 awg
Wire stripped length	5-6mm
Screw torque	2.6lb-In - 0.3Nm
Screw	M2.6 combi

Approvals

UL pending  pending

For details of terminal blocks with alternative mounting orientations

Horizontal
refer to page 13