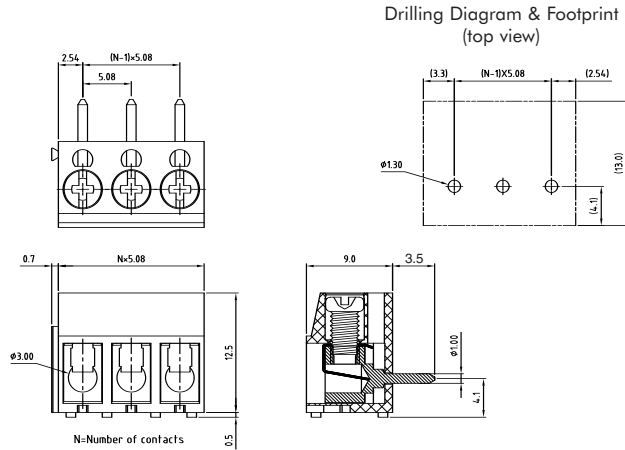


TBH2xxHG (5.08mm)  
TBH2xxMG (10.16mm)

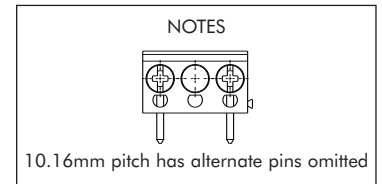
Horizontal  
Mounting

Dimensions (mm)



Ordering Information

Poles/ Ways	TAICOM Part No.	
	5.08mm	10.16mm
2	TBH202HG	TBH202MG
3	TBH202HG	TBH202MG
4	TBH202HG	TBH202MG
5	TBH202HG	TBH202MG
6	TBH202HG	TBH202MG
7	TBH202HG	TBH202MG
8	TBH202HG	TBH202MG
9	TBH202HG	TBH202MG
10	TBH202HG	TBH202MG
11	TBH202HG	TBH202MG
12	TBH202HG	TBH202MG



N.B. Part numbers shown are for combi screws.  
For slotted screws add -1 to the end of the part number.

Specification

Materials	
Body mouldings	Black (RA9011) Polyamide
Terminal inserts/pins	Brass, tin plated
Screws	Steel, zinc plated
Wire guards	Stainless steel

Ratings (limited by pcb)	
Current rating	15A
Voltage rating	300Vac
Test voltage	1.6kVac
Insulation resistance	20MΩ max
Operating temperature range	-30°C to +105°C
Soldering temperature	250°C ±10°C/5 sec

Mechanical Data	
Wire size	14-22 awg
Wire stripped length	6-7mm
Screw torque	3.5lb-In - 0.4Nm
Screw	M3 combi

Approvals  
UL



For details of terminal blocks with alternative mounting orientations

**Vertical**  
refer to pages 5 & 6

**WIRE GUARD**  
Terminal blocks with stainless steel wire guards. Choice of 5.08mm pitch or wider spaced 10.16mm pitch.

KEY FEATURES/BENEFITS

- ◆ 15A rating
- ◆ Holes provided for test probes
- ◆ Combi screws as standard
- ◆ UL94V-0 flame retardant bodies
- ◆ 10.16mm pitch offers improved isolation between terminals

Options Available

Marked Blocks -

A variety of markings and logos can be added to your requirements.

Screws -

Conventional slotted screws can be fitted in place of combi screws.

Body Colours -

Other colours such as green, blue and grey are available.

Longer Blocks -

Up to 24 ways can be supplied in 5.08mm pitch and up to 12 ways in 10.16mm pitch.

N.B. These options may be subject to minimum order quantities. Please contact our Sales Desk for further details.