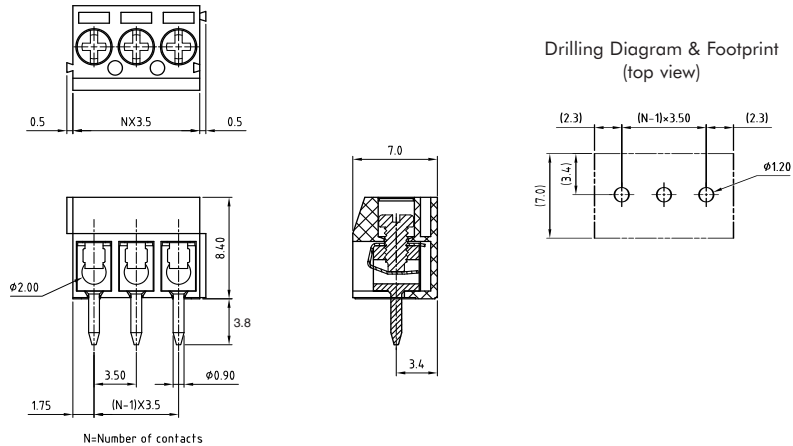


**TBVxxCGN (3.5mm)**  
**TBVxxDGN (7mm)**

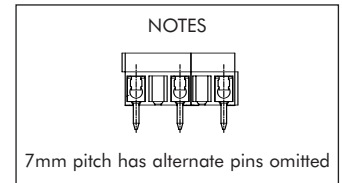
**Dimensions (mm)**



**Ordering Information**

Poles/ Ways	TAICOM Part No.	
	3.5mm	7mm
2	TBV02CGN	TBV02DGN
3	TBV03CGN	TBV03DGN
4	TBV04CGN	TBV04DGN
5	TBV05CGN	TBV05DGN
6	TBV06CGN	TBV06DGN
7	TBV07CGN	TBV07DGN
8	TBV08CGN	TBV08DGN
9	TBV09CGN	TBV09DGN
10	TBV10CGN	TBV10DGN
11	TBV11CGN	TBV11DGN
12	TBV12CGN	TBV12DGN

N.B. Part numbers shown are for combi screws.  
For slotted screws add -1 to the end of the part number.



**Specification**

Materials	
Body mouldings	Black (RAL9011) Polyamide
Terminal inserts/pins	Brass, tin plated
Screws	Steel, zinc plated
Wire guards	Stainless steel

Ratings (limited by pcb)	
Current rating	10A/10A
Voltage rating	125Vac/125Vac
Test voltage	1.25kVac/1.25kVac
Insulation resistance	20MΩ max
Operating temperature range	-30°C to +105°C
Soldering temperature	250°C ±10°C/5 sec

Mechanical Data	
Wire size	16-26 awg
Wire stripped length	5-6mm
Screw torque	1.7lb-In/4kgf-cm - 0.4Nm
Screw	M2 combi

Approvals	
UL and CSA	

For details of terminal blocks with alternative mounting orientations

**Horizontal**  
refer to page 9

**WIRE GUARD**

Low profile terminal blocks with stainless steel wire guards. Choice of 3.5mm pitch or wider spaced 7mm pitch.

**KEY FEATURES/BENEFITS**

- ◆ Low profile
- ◆ 10A rating
- ◆ Double dovetail interlocking
- ◆ Combi screws as standard
- ◆ UL94V-0 flame retardant bodies
- ◆ Spring action wire guards permit wire re-insertion
- ◆ 7mm pitch offers improved isolation between terminals

**Options Available**

**Solid Blocks -**

In place of interlocking to maintain pitch integrity over longer lengths.

**Marked Blocks -**

A variety of markings and logos can be added to your requirements.

**Screws -**

Conventional slotted screws can be fitted in place of combi screws.

**Body Colours -**

Other colours such as green, blue and grey are available.

**Longer Blocks -**

Up to 24 ways can be supplied in 3.5mm pitch and up to 12 ways in 7mm pitch.

N.B. These options may be subject to minimum order quantities. Please contact our Sales Desk for further details.