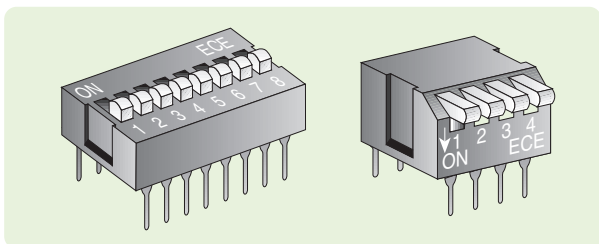


EXCEL type EDG & EPG

A range of good quality, yet highly cost effective DIL switches offering a choice of poles in two styles. Gold plated SPST wiping contacts are housed in blue moulded bodies, flame retardant to UL94V-0, with epoxy sealed bases to prevent flux contamination. Ideal for applications such as data processing, communications, remote controls and burglar alarm systems. Supplied in tubes.



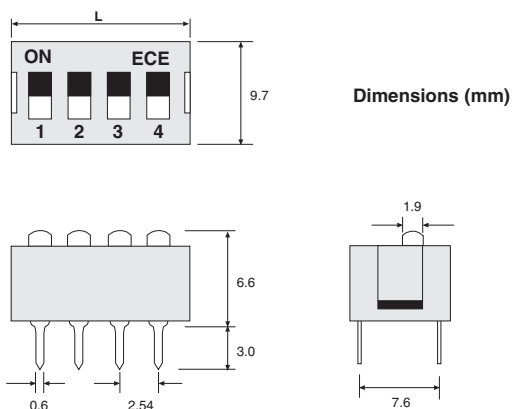
- ◆ Through hole terminals
- ◆ Cost effective
- ◆ Choice of **two styles**
- ◆ Gold plated **SPST** wiping contacts
- ◆ Flame retardant bodies
- ◆ Sealed bases
- ◆ Body colour **Blue**

Specification

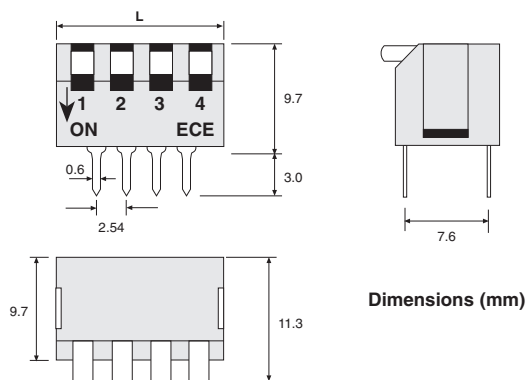
Contact rating..... Non-switching, 100mA, 50Vdc
 Switching, 25mA, 24Vdc
 Contact resistance 50mΩ max. (initial)
 100mΩ max. (after life test)
 Operating force 800g max.
 Insulation resistance 1000MΩ min. at 100Vdc
 Dielectric strength 500Vdc for 1 minute

Operating temperature range..... -25°C to +70°C
 Life expectancy..... 3,000 operations per pole
 Performance tests:
 Terminal solderability..... 95% cover after 5 sec at 230°C
 Terminal heat shock 260°C for 5 sec
 Vibration to MIL-STD-202F method 204D
 Initial switch position..... All positions 'off'

TOP SLIDE ACTUATOR - type EDG



PIANO KEY ACTUATOR - type EPG



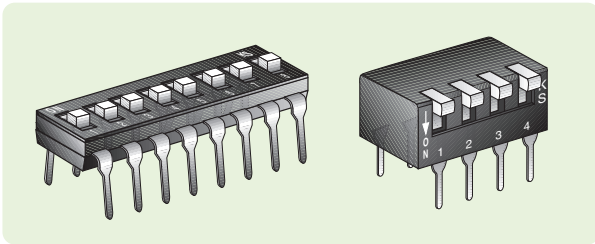
Type	Length (L) (mm)	anglia Order Code
1 Pole on-off	3.9	447001A
2 Pole on-off	6.7	447002A
3 Pole on-off	9.2	447003A
4 Pole on-off	11.7	447004A
5 Pole on-off	14.2	447005A
6 Pole on-off	16.7	447006A
7 Pole on-off	19.2	447007A
8 Pole on-off	21.7	447008A
9 Pole on-off	24.2	447009A
10 Pole on-off	26.7	447010A
12 Pole on-off	31.8	447012A

Type	Length (L) (mm)	anglia Order Code
2 Pole on-off	6.7	447102A
3 Pole on-off	9.2	447103A
4 Pole on-off	11.7	447104A
5 Pole on-off	14.2	447105A
6 Pole on-off	16.7	447106A
7 Pole on-off	19.2	447107A
8 Pole on-off	21.7	447108A
9 Pole on-off	24.2	447109A
10 Pole on-off	26.7	447110A
12 Pole on-off	31.8	447112A

TAPE SEALED SWITCHES available to special order

KNITTER-SWITCH type DBS4100 & DBP4100

A range of high quality, low profile DIL switches offering a choice of poles in two styles. Gold plated SPST contacts are designed to ensure stable operation and are housed in black moulded bodies, flame retardant to UL94V-0. Bases are sealed to prevent flux contamination. Ideal for applications such as data processing, communications, remote controls and burglar alarm systems. Supplied in tubes.



- ◆ Through hole terminals
- ◆ Choice of two styles
- ◆ High stability gold plated SPST wiping contacts
- ◆ Low profile, flame retardant Nylon bodies
- ◆ Sealed bases
- ◆ Gold plated terminations
- ◆ Body colour **Black**



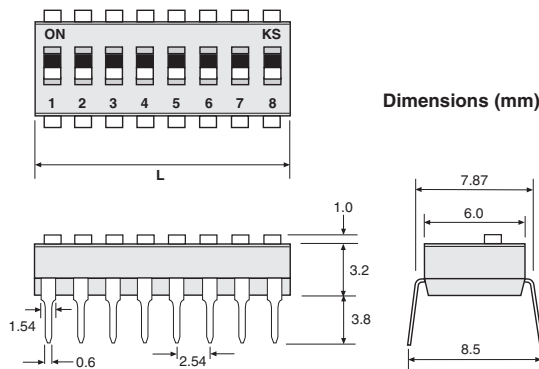
Specification

Contact rating	
non-switching	100mA, 50Vdc
switching	25mA, 24Vdc
Contact resistance	50mΩ max. (initial)
Insulation resistance	100MΩ min. at 500Vdc
Dielectric strength	500Vac for 1 minute

Operating temperature range	-30°C to +85°C
Mechanical life expectancy	
top slide	3,000 operations per pole (top slide)
piano	2,000 operations per pole (piano)
Terminal solderability	10 sec max. at 240°C
Initial switch position	All positions 'off'

TOP SLIDE ACTUATOR - type DBS4100

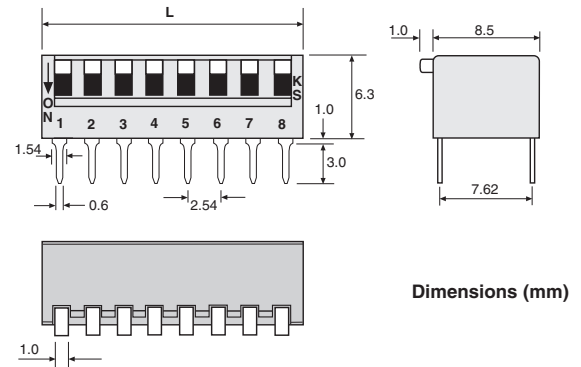
Low profile "IC package" body with raised actuators. End stackable.



Type	Length (L) (mm)	Manf. Part No. & anglia Order Code
2 Pole on-off	5.08	DBS4102
3 Pole on-off	7.62	DBS4103
4 Pole on-off	10.16	DBS4104
5 Pole on-off	12.70	DBS4105
6 Pole on-off	15.24	DBS4106
7 Pole on-off	17.78	DBS4107
8 Pole on-off	20.32	DBS4108
9 Pole on-off	22.86	DBS4109
10 Pole on-off	25.40	DBS4110
12 Pole on-off	30.48	DBS4112

PIANO KEY ACTUATOR - type DBP4100

Low profile body with extended piano key actuators.



Type	Length (L) (mm)	Manf. Part No. & anglia Order Code
2 Pole on-off	6.08	DBP4102
3 Pole on-off	8.72	DBP4103
4 Pole on-off	11.90	DBP4104
5 Pole on-off	14.44	DBP4105
6 Pole on-off	16.98	DBP4106
7 Pole on-off	19.52	DBP4107
8 Pole on-off	22.06	DBP4108
9 Pole on-off	24.60	DBP4109
10 Pole on-off	27.14	DBP4110
12 Pole on-off	32.22	DBP4112

● FLUSH ACTUATORS, WITH OR WITHOUT TAPE SEALING available to special order

Washable DIL Switches shown overleaf > > >