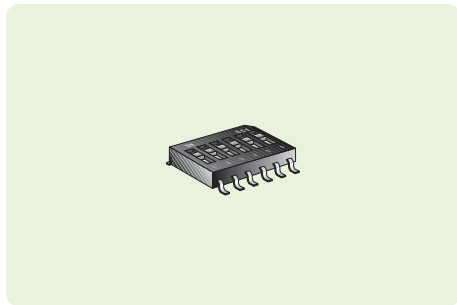


EXCEL type EHS (half pitch)

A range of low profile, half pitch (1.27mm) surface mount DIL switches offering a choice of poles. Gold plated SPST contacts are designed to ensure stable operation and are housed in black moulded bodies, flame retardant to UL94V-0. The range is taped sealed to withstand reflow soldering and pcb washing. Available in 2 to 12 poles with an option of packaging method, either stick or tape and reel.



- ◆ Surface mount
- ◆ Half pitch 1.27mm
- ◆ High stability gold plated **SPST** wiping contacts
- ◆ **Very low profile**, flame retardant Nylon bodies
- ◆ Tape sealed for board washing
- ◆ Tinned terminations
- ◆ Body colour **Black**
- ◆ Supplied in sticks or taped & reeled



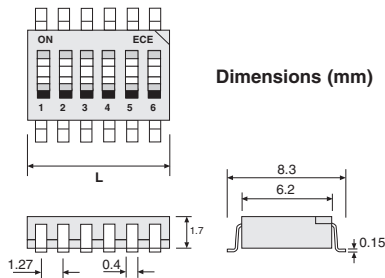
Specification

Contact rating	
non-switching	100mA, 50Vdc
switching	25mA, 24Vdc
Contact resistance	100mΩ max.
Operating force	800g max.
Insulation resistance	500MΩ min. at 100Vdc
Dielectric strength	300Vac for 1 minute

Operating temperature range	-25°C to +70°C
Mechanical life expectancy	1000 operations per pole
Performance tests	
terminal solderability	20 sec max. at 230°C ±5°C
Initial switch position.....	All positions 'on'

TOP SLIDE ACTUATOR - type EHS

Very low profile "IC package" body with surface mount terminals on a half pitch of 1.27mm. Flush actuators are top taped sealed. Choice of packaging method.



Type	Length (L) (mm)
2 Pole on-off	3.7
4 Pole on-off	6.2
6 Pole on-off	8.75
8 Pole on-off	11.30
10 Pole on-off	13.80
12 Pole on-off	16.35



STICK
anglia
Order Code

- SH002
- SH004
- SH006
- SH008
- SH010
- SH012



TAPE & REEL
anglia
Order Code

- SH002TR
- SH004TR
- SH006TR
- SH008TR
- SH010TR
- SH012TR



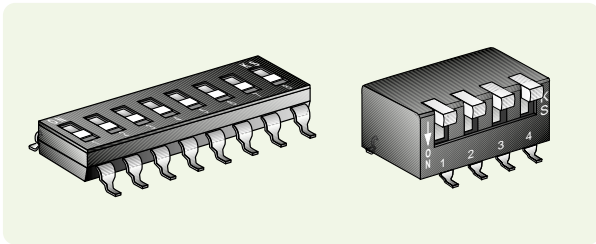
For the very latest information and news on the full range of ECE products available from Anglia, visit our website :

www.anglia.com/ece

Alternatively, contact our Sales Desk to discuss your specific requirements.

KNITTER-SWITCH type SBS4000 & SBP4100

A range of low profile, surface mount DIL switches offering a choice of poles in two styles. Gold plated SPST contacts are designed to ensure stable operation and are housed in black moulded bodies, flame retardant to UL94V-0. SBS400 series are tape sealed to withstand wave soldering and pcb washing. Supplied taped and reeled, with the option of sticks on the top slide switch.



- ◆ Surface mount
- ◆ Choice of **two styles**
- ◆ High stability gold plated **SPST** wiping contacts
- ◆ **Low profile**, flame retardant Nylon bodies
- ◆ Tape sealed (SBS4000)
- ◆ Tinned terminations
- ◆ Body colour **Black**



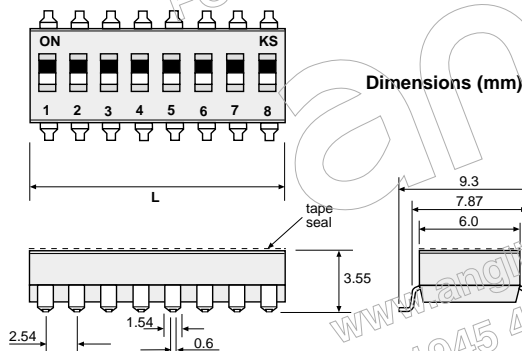
Specification

Contact rating	
non-switching	100mA, 50Vdc
switching	25mA, 24Vdc
Contact resistance	50mΩ max. (initial)
Insulation resistance	100MΩ min. at 500Vdc
Dielectric strength	500Vac for 1 minute

Operating temperature range	-30°C to +85°C
Mechanical life expectancy	
top slide	3,000 operations per pole
piano	2,000 operations per pole
Terminal solderability	10 sec max. at 240°C
Initial switch position	All positions 'off'

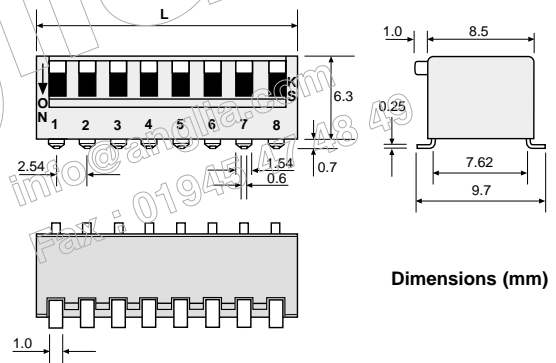
TOP SLIDE ACTUATOR - type SBS4000

Low profile "IC package" body with flush actuators, top tape sealed. End stackable. Choice of packaging method.



PIANO KEY ACTUATOR - type SBP4100

Low profile body with extended piano key actuators. Supplied taped and reeled.



Type	Length (L) (mm)	STICK	
		Manf. Part No. & anglia Order Code	TAPE & REEL
2 Pole on-off	5.08	SBS4002	SBS4002T
3 Pole on-off	7.62	SBS4003	SBS4003T
4 Pole on-off	10.16	SBS4004	SBS4004T
5 Pole on-off	12.70	SBS4005	SBS4005T
6 Pole on-off	15.24	SBS4006	SBS4006T
7 Pole on-off	17.78	SBS4007	SBS4007T
8 Pole on-off	20.32	SBS4008	SBS4008T
9 Pole on-off	22.86	SBS4009	SBS4009T
10 Pole on-off	25.40	SBS4010	SBS4010T
12 Pole on-off	30.48	SBS4012	SBS4012T

Type	Length (L) (mm)	TAPE & REEL	
		Manf. Part No. & anglia Order Code	
2 Pole on-off	6.08	SBP4102T	
3 Pole on-off	8.72	SBP4103T	
4 Pole on-off	11.90	SBP4104T	
5 Pole on-off	14.44	SBP4105T	
6 Pole on-off	16.98	SBP4106T	
8 Pole on-off	22.06	SBP4108T	
9 Pole on-off	24.60	SBP4109T	
10 Pole on-off	27.14	SBP4110T	
12 Pole on-off	32.22	SBP4112T	

● RAISED ACTUATORS available to special order

Through Hole DIL Switches shown overleaf > > >