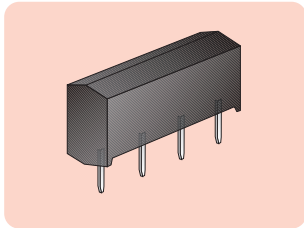


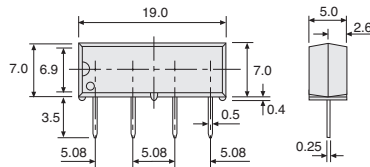
A range of industry compatible reed relays available in 3 different packages options. SIL (single in line) DIL (dual in line) and SMD (surface mount). offered throughout with an Integral coil protection diode to prevent back EMF. All types are suitable for direct connection to TTL logic.

SIL EXCEL type EDR1D

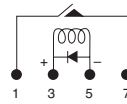
NEW



Dimensions (mm)



Schematic (pin view)



- ◆ Industry standard footprint
- ◆ Integral coil protection diode
- ◆ SPNO contact
- ◆ Long life
- ◆ Washable
- ◆ Supplied in tubes

Specification

| | |
|-----------------------------|---|
| Switching current (max.) | 0.5A _{dc} |
| Carry current (max.) | 1.0A _{dc} |
| Switching power (max.) | 10W |
| Contact resistance (max.) | 150mΩ |
| Operate release time | 1.0/0.5ms max. |
| Maximum voltage | 100V _{dc} |
| Electrical life | 100 x 10 ⁶ (10V _{dc} , 10mA) |
| Dielectric strength | Between coil and contact 1400V _{dc} Between contacts 250V _{dc} |
| Insulation resistance | 10,000MΩ min at 100V _{dc} |
| Operating temperature range | -40°C to +85°C |



Coil Voltage/Resistance

| |
|--------------------------|
| 5V _{dc} /500Ω |
| 12V _{dc} /1000Ω |
| 24V _{dc} /2150Ω |

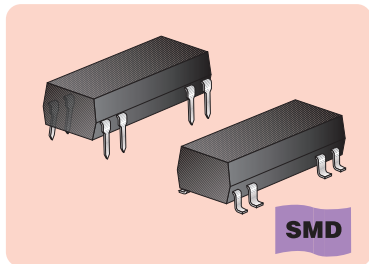
**anglia
Order Code**

| |
|--------|
| 454101 |
| 454102 |
| 454103 |

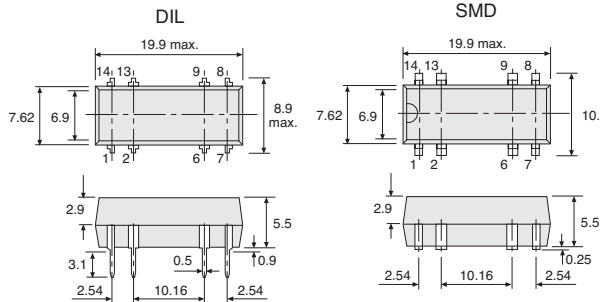
Alternative pin out versions and types without protection diode, available to special order.

DIL & SMD EXCEL type EDR2D

NEW



Dimensions (mm)

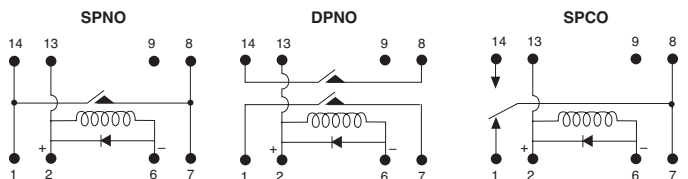


- ◆ 14 pin DIL style package
- ◆ SO14 style SMD package
- ◆ Industry standard footprint
- ◆ Integral coil protection diode
- ◆ SPNO, SPCO & DPNO contacts
- ◆ Long life
- ◆ Washable
- ◆ Supplied in tubes

Specification

| | |
|-----------------------------|---|
| Switching current (max.) | SPNO, DPNO : 0.5A _{dc} SPCO : 0.2A _{dc} |
| Carry current (max.) | SPNO, DPNO : 1.0A _{dc} SPCO : 0.5A _{dc} |
| Switching power (max.) | SPNO, DPNO : 10W SPCO : 3W |
| Contact resistance (max.) | 150mΩ |
| Operate/release time | SPNO, DPNO 1.0/0.5ms max. SPCO 1.5/2.0ms |
| Electrical life | SPNO, DPNO 100 x 10 ⁶ (10V _{dc} , 10mA) SPCO 50 x 10 ⁶ (5V _{dc} , 1mA) |
| Maximum voltage | SPNO, DPNO : 100V _{dc} SPCO : 30V _{dc} |
| Dielectric strength | Between coil and contact 1400V _{dc} Between contacts 250V _{dc} (150V _{dc} SPCO) |
| Insulation resistance | SPNO, DPNO : 10,000MΩ min at 100V _{dc} SPCO : 10,000MΩ min at 100V _{dc} |
| Operating temperature range | -40°C to +85°C |

Schematic (pin view)



Coil Voltage/Resistance

| | |
|-------------|--------------------------|
| SPNO | 5V _{dc} /500Ω |
| | 12V _{dc} /1000Ω |
| | 24V _{dc} /2150Ω |
| DPNO | 5V _{dc} /140Ω |
| | 12V _{dc} /500Ω |
| | 24V _{dc} /2150Ω |
| SPCO | 5V _{dc} /200Ω |
| | 12V _{dc} /500Ω |
| | 24V _{dc} /2150Ω |

**anglia
Order Code**

| DIL | SMD |
|--------|-------|
| 454301 | AR301 |
| 454302 | AR302 |
| 454303 | AR303 |
| 454401 | AR401 |
| 454402 | AR402 |
| 454403 | AR403 |
| 454501 | AR501 |
| 454502 | AR502 |
| 454503 | AR503 |

Other types without integral protection diodes, alternative contact arrangements, high insulation and line sensing reed relays are also available to special order.