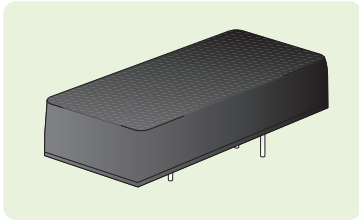


MAGNETIX type MPH15

15W, Regulated Single/Dual Outputs, Wide Input



- ◆ Industry standard pin out
- ◆ Single or dual outputs
- ◆ PI input filter
- ◆ 1.5kV isolation
- ◆ Regulated output
- ◆ Wide input (2:1)
- ◆ Short circuit protected
- ◆ Six side shielded

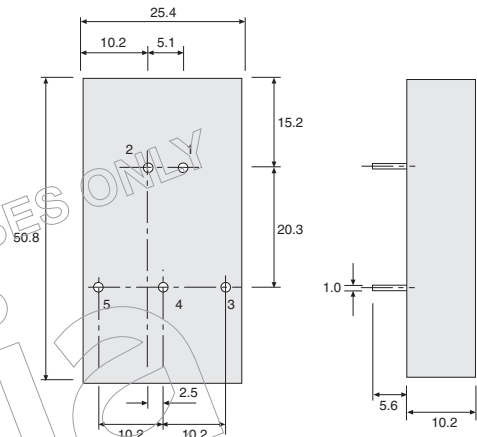
Specification

Input voltage range	
12V	9-18V
24V	18-36V
48V	36-72V
Line regulation	±1%
Load regulation	
Single	±1%
Dual	±2%
Output accuracy	±2%
Switching frequency	300kHz (typ.)
Operating temperature range	-25°C to +85°C

Single Output

Nominal Input (V)	Output (V)	Output Current (A)	Manf. Part No. & Anglia Order Code
12	5	3	MPH15-1205
12	12	1.25	MPH15-1212
12	15	1	MPH15-1215
24	5	3	MPH15-2405
24	12	1.25	MPH15-2412
24	15	1	MPH15-2415
48	5	3	MPH15-4805
48	12	1.25	MPH15-4812
48	15	1	MPH15-4815

Dimensions (mm)



Dual Output

Nominal Input (V)	Output (V)	Output Current (mA)	Manf. Part No. & Anglia Order Code
12	5	±1500	MPH15-12D05
12	12	±625	MPH15-12D12
12	15	±500	MPH15-12D15
24	5	±1500	MPH15-24D05
24	12	±625	MPH15-24D12
24	15	±500	MPH15-24D15
48	5	±1500	MPH15-48D05
48	12	±625	MPH15-48D12
48	15	±500	MPH15-48D15

Pin View

Pin	Single	Dual
1	V _{IN}	V _{IN}
2	GND	GND
3	+V _O	+V _O
4	NO PIN	COMMON
5	0V	-V _O

FOR REFERENCE PURPOSES ONLY
www.anglia.com
Tel : 01945 47 47 47
info@anglia.com
Fax : 01945 47 48 49

Magnetix

For the very latest information and news on the full range of Magnetix products available from Anglia, visit our website :

www.anglia.com/magnetix

Alternatively, contact our Sales Desk to discuss your specific requirements.