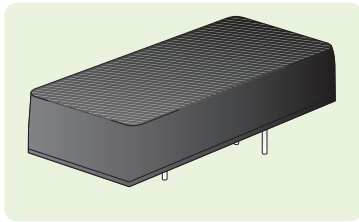


MAGNETIX type MPH10

10W, Regulated Single/Dual Outputs, Wide Input



- ◆ Industry standard pin-out
- ◆ Single or dual outputs
- ◆ PI input filter
- ◆ 1.5kV isolation
- ◆ Regulated output
- ◆ Wide input (2:1)
- ◆ Short circuit protected
- ◆ Six side shielded

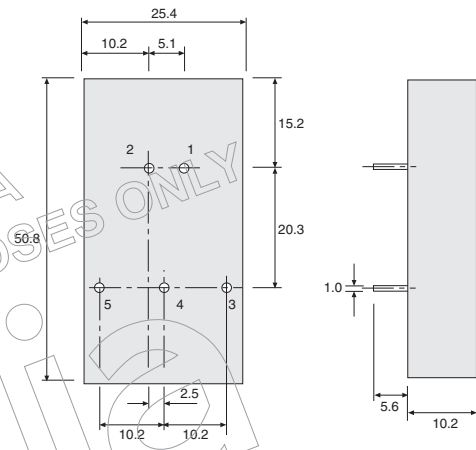
Specification

Input voltage range	
12V	9-18V
24V	18-36V
48V	36-72V
Line regulation	±1%
Load regulation	
Single	±1%
Dual	±2%
Output accuracy	±2%
Switching frequency	300kHz (typ.)
Operating temperature range	-25°C to +85°C

Single Output

Nominal Input (V)	Output (V)	Output Current (mA)	Manf. Part No. & Anglia Order Code
12	5	2000	MPH10-1205A
12	12	830	MPH10-1212A
12	15	670	MPH10-1215A
24	5	2000	MPH10-2405A
24	12	830	MPH10-2412A
24	15	670	MPH10-2415A
48	5	2000	MPH10-4805A
48	12	830	MPH10-4812A
48	15	670	MPH10-4815A

Dimensions (mm)



Dual Output

Nominal Input (V)	Output (V)	Output Current (mA)	Manf. Part No. & Anglia Order Code
12	5	±1000	MPH10-12D05A
12	12	±416	MPH10-12D12A
12	15	±333	MPH10-12D15A
24	5	±1000	MPH10-24D05A
24	12	±416	MPH10-24D12A
24	15	±333	MPH10-24D15A
48	5	±1000	MPH10-48D05A
48	12	±416	MPH10-48D12A
48	15	±333	MPH10-48D15A

Pin View

Pin	Single	Dual
1	V _{IN}	V _{IN}
2	GND	GND
3	+V _O	+V _O
4	NO PIN	COMMON
5	0V	-V _O



For the very latest information and news on the full range of ST products available from Anglia, which covers a wide selection of semiconductor products

- ◆ Diodes: Signal, Schottky, Zener, Rectifier & Bridge Rectifier
- ◆ Transistors
- ◆ Thyristors
- ◆ MOSFETs & Intelligent Power Products
- ◆ IGBTs
- ◆ Voltage Regulators
- ◆ Interface ICs
- ◆ Linear ICs
- ◆ ADC/DAC
- ◆ Logic ICs
- ◆ Microcontrollers
- ◆ Supervisor & Reset ICs
- ◆ Memory, Flash, Eprom, EEprom, NVRAM, SRAM, PSD

visit our website : www.anglia.com/st

Alternatively, contact our Sales Desk to discuss your specific requirements.